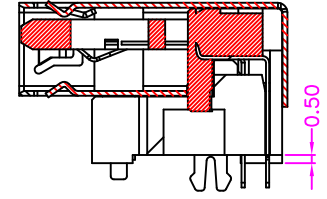
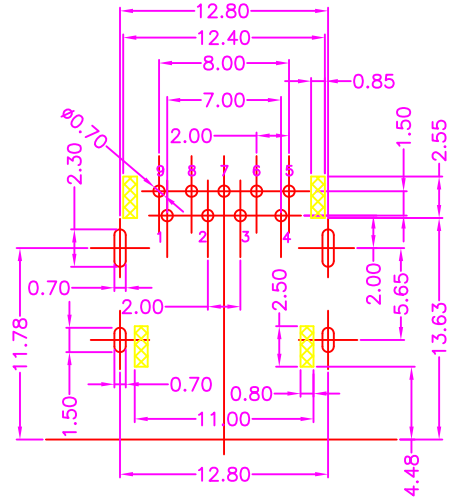
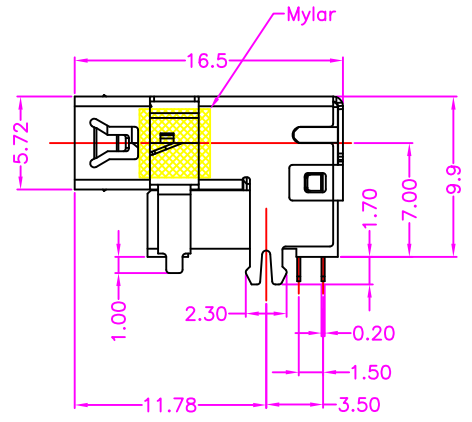
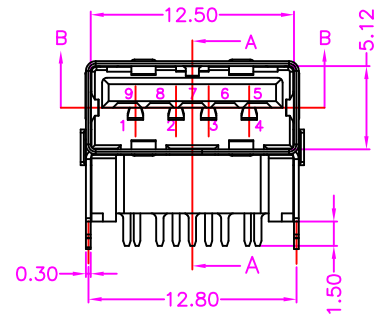


MATERIALS

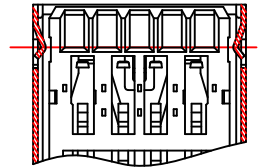
HOUSING: HI-TEMP. PLASTIC (UL 94V-0)
 SHELL: STAINLESS STEEL, NICKEL PLATING
 TERMINAL: COPPER ALLOY, GOLD PLATED ON CONTACT AREA
 TIN PLATING ON SOLDER TAIL

SPECIFICATION

CURRENT RATING: 1.5 AMP MAX
 DIELECTRIC WITHSTANDING: 500V AC FOR ONE MINUTE
 CONTACT RESISTANCE: 30m OHMS MAX
 INSULATION RESISTANCE: 1000M OHMS MIN AT DC 500V
 OPERATION TEMPERATURE: -40°C~+85°C



SECTION A-A



SECTION B-B

PART NUMBER: 2USEC - 0 9 * T - 1 2 8 *

SERIES: 2USEC
 NO. OF POS.: 09
 HOUSING COLOR OPTION: T (Blank), 1 (Blue), 2 (Black), 8 (Black)
 CONTACT PLATED OPTION: 1 (GOLD FLASH), 3 (3u" GOLD), 5 (5u" GOLD), 6 (10u" GOLD), 7 (15u" GOLD), 9 (30u" GOLD)
 TAPE REEL PACKAGE: TIN PLATING ON SOLDER TAIL

STAND OFF AREA
 P.C.B. LAYOUT
 TOP VIEW ±0.05

Pin NUMBER	SIGNAL NAME
1	VBUS
2	D-
3	D+
4	GND
5	StdA_SSRX-
6	StdA_SSRX+
7	GND_DRAIN
8	StdA_SSTX-
9	StdA_SSTX+
Shell	Shield

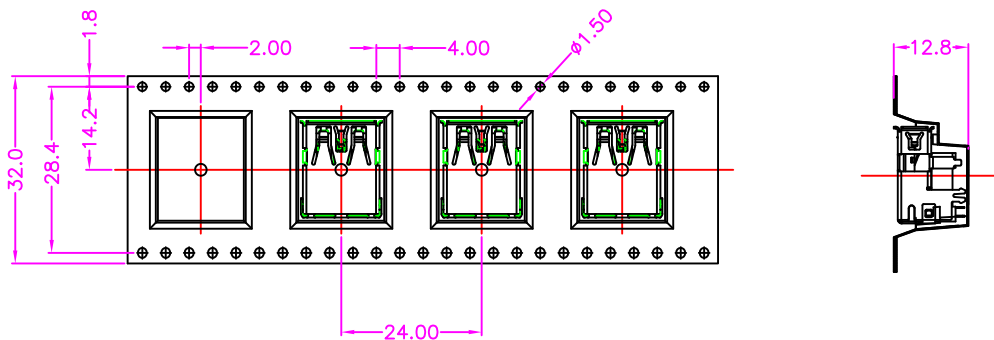
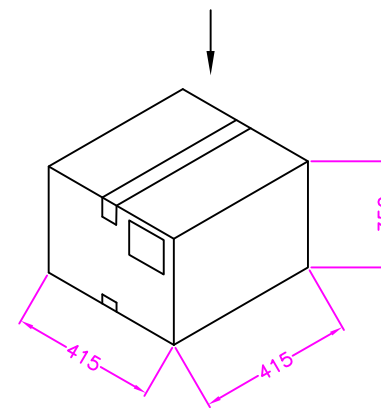
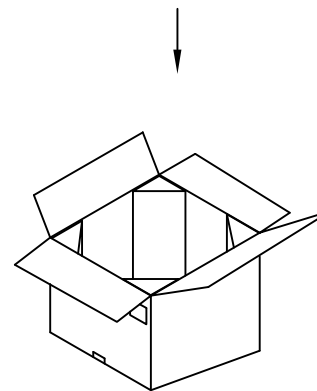
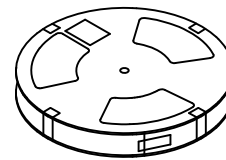
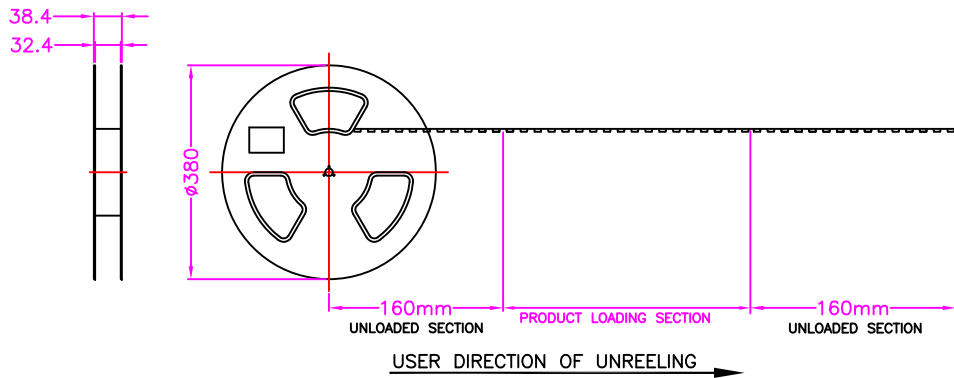
Cyberconn Technology Co., Ltd.
 www.cyberconn.com.tw Tel:+886-3-4951314

TOLERANCES: X.X ±0.3, X.XX ±0.2, X.XXX ±0.1, Angle ±5°

TITLE: USB CONNECTOR SERIES, USB 3.0 A TYPE, PCB MOUNT, R/A, METAL SHIELD FEMALE, H=9.90mm

DRAWN BY	CHECKED BY	APPROVED BY			
Tina	Lion	Benson			
UNIT	SCALE	SIZE	DRAW NO.	REV.	Sheet
10152	MM	NONE	A4	2USEC-008	A 1/2

A	RELEASE	2016.7.1
REV.	DESCRIPTION	DATE



NOTE: 300PCS/ REEL, 2400PCS/ 8 REEL/ CARTON

A	RELEASE	2016.7.1
REV.	DESCRIPTION	DATE

Cyberconn Technology Co., Ltd. www.cyberconn.com.tw Tel:+886-3-4951314						
TOLERANCES		USB CONNECTOR SERIES				
X.X ±0.3		TITLE USB 3.0 A TYPE, PCB MOUNT, R/A, METAL SHIELD FEMALE, H=9.90mm				
X.XX ±0.2						
X.XXX ±0.1						
Angle ±5°		DRAWN BY	CHECKED BY	APPROVED BY		
		<i>Tina</i>	<i>Lion</i>	<i>Benson</i>		
UNIT	SCALE	SIZE	DRAW NO.	REV.	Sheet	
10152	MM	NONE	A4	2USEC-008	A	2/2