

1 2 3 4 5 6 7 8

F

F

E

E

D

D

C

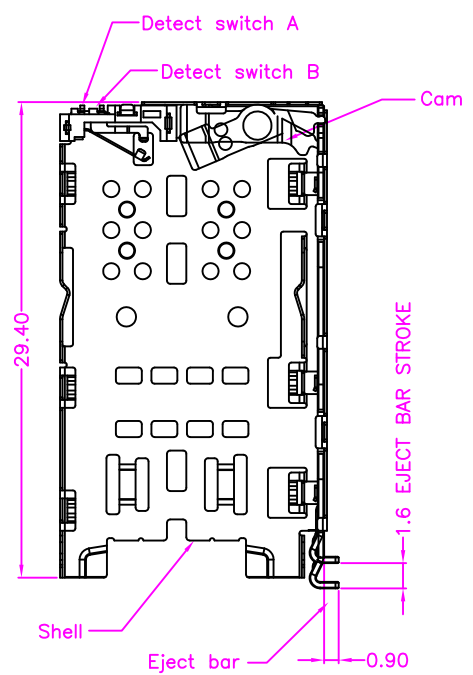
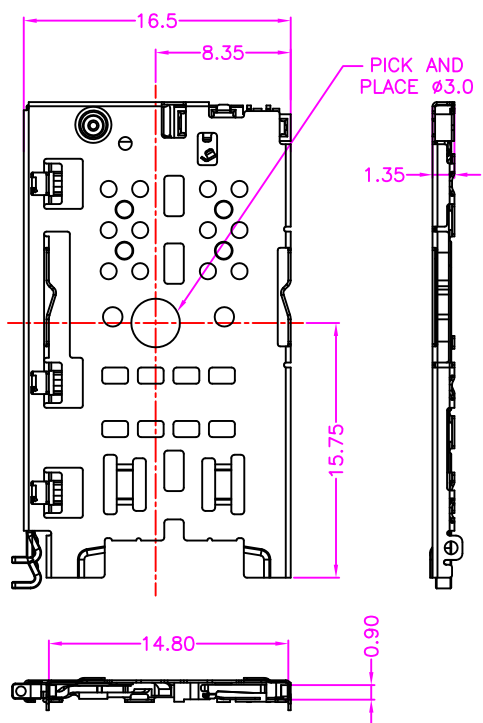
C

B

B

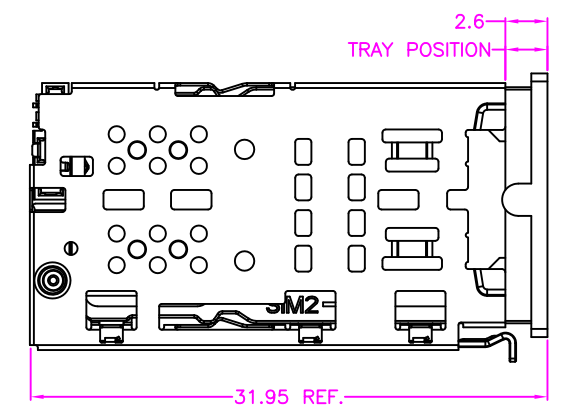
A

A

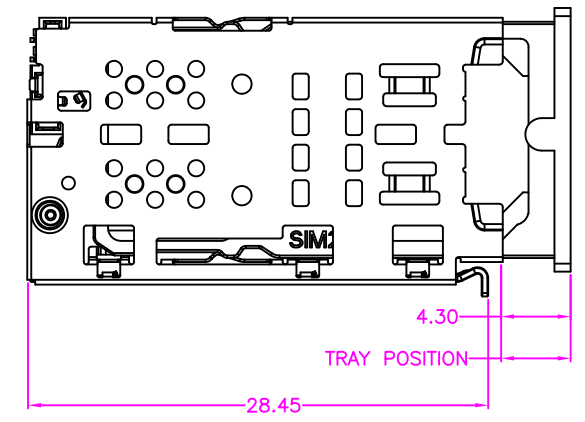


Holder pin definition

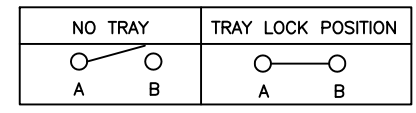
PIN No.	NAME
S1 S2	Detect switch
shell	Ground



MATED POSITION



EJECTED POSITION



TRAY DETECTION SWITCH

INFORMATION

COMPATIBLE MICRO SD DRAWING: 4MCKB-005  
 NANO SIM DRAWING: 4MCRB-004

nano sim block pin definition

PIN No.	NAME
D1	VCC
D2	RST
D3	CLK
D4	GND
D5	VPP
D6	I/O

Micro sd block pin definition

PIN No.	NAME
C1	DAT2
C2	CD/DAT3
C3	CMD
C4	VDD
C5	CLK
C6	VSS
C7	DAT0
C8	DAT1
K1 K2	Fixe foot

MATERIALS

HOUSING: HI-TEMP. PLASTIC (UL 94V-0), BLACK  
 SHELL: STAINLESS STEEL, NICKEL PLATING  
 DETECT SWITCH: COPPER ALLOY, GOLD PLATED  
 EJECT BAR: STAINLESS STEEL

PART NUMBER:  
 4MCYB - \* - 0 2 2

SERIES TAPE REEL PACKAGE

TERMINAL PLATED OPTION

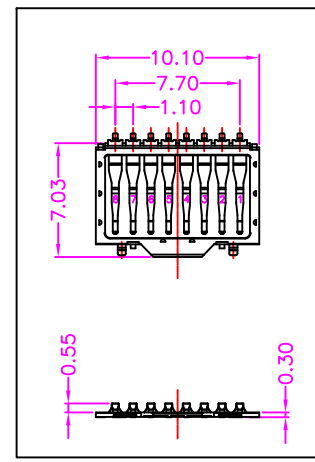
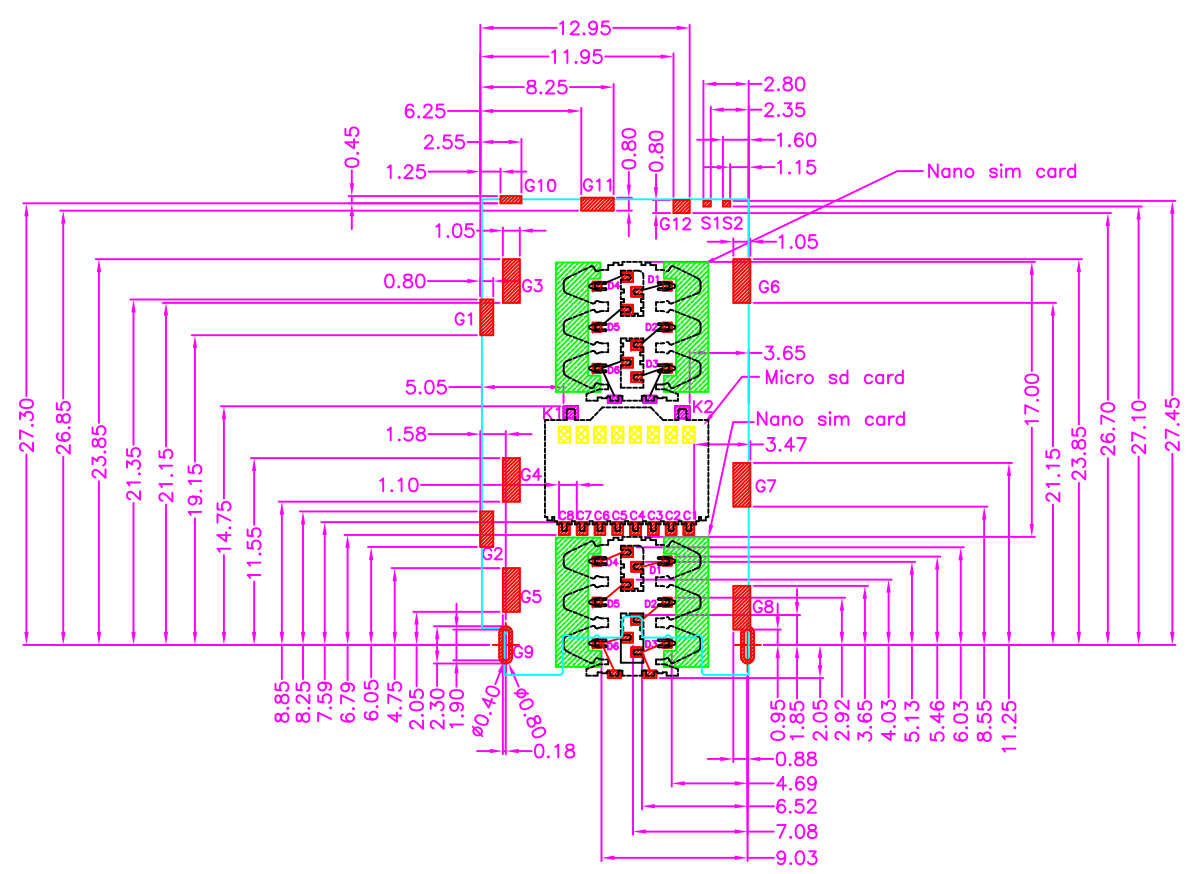
- 1: GOLD FLASH
- 3: 3u" GOLD
- 5: 5u" GOLD
- 6: 10u" GOLD
- 7: 15u" GOLD
- 9: 30u" GOLD

**Cyberconn Technology Co., Ltd.**  
 www.cyberconn.com.tw Tel:+886-3-4951314

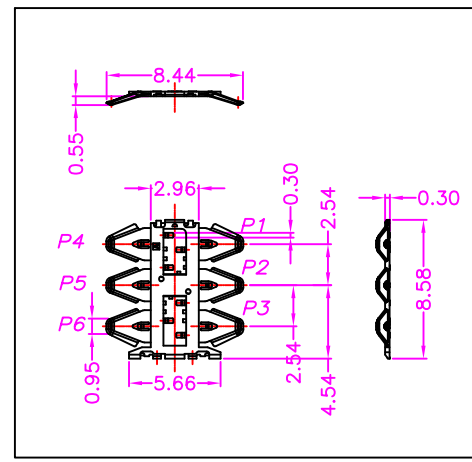
TOLERANCES		MEMORY CARD SERIES					
X.X	±0.3	TITLE					
X.XX	±0.2	NANO SIM & NANO SIM & MICRO SD					
X.XXX	±0.1	3 CHOOSE 2, METAL SHIELD					
Angle	±5°	DRAWN BY	CHECKED BY	APPROVED BY			
		<i>Fina</i>	<i>Lion</i>	<i>Benson</i>			
		UNIT	SCALE	SIZE	DRAW NO.	REV.	Sheet
10001		MM	NONE	A4	4MCYB-002	A	1/3

A	RELEASE	2016.3.29
REV.	DESCRIPTION	DATE

1 2 3 4 5 6 7 8



Micro sd



Nano sim

P.C.B LAYOUT  
TOP VIEW ±0.05

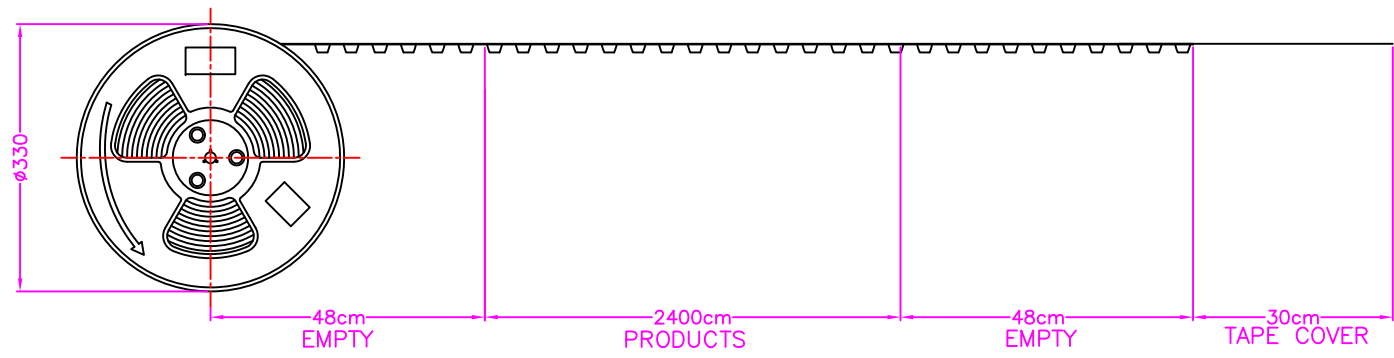
- SOLDER AREA
- SHEET METAL AREA
- DIGGING HOLES 0.05mm Min
- CONNECTOR BOUNDARY

**Cyberconn Technology Co., Ltd.**

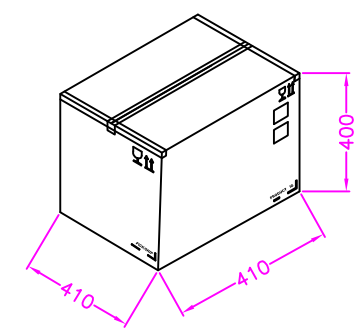
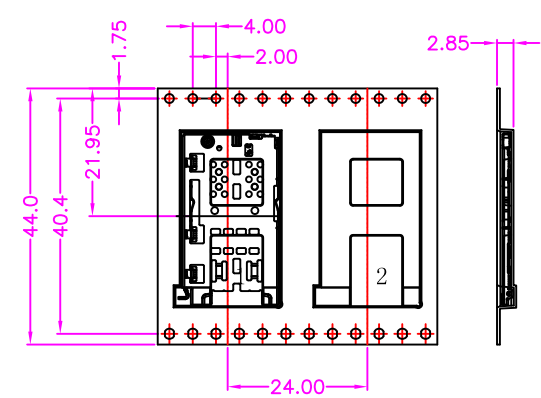
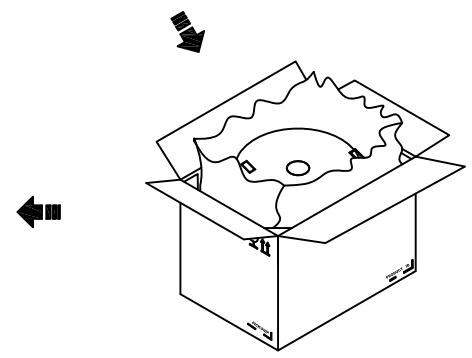
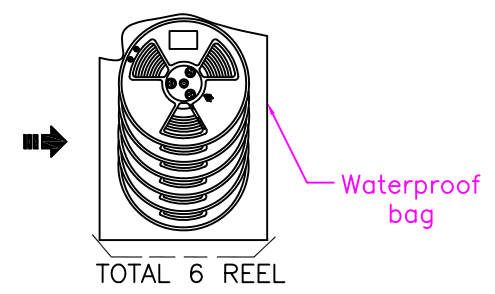
www.cyberconn.com.tw Tel:+886-3-4951314

TOLERANCES		MEMORY CARD SERIES			
X.X ±0.3		TITLE			
X.XX ±0.2		NANO SIM & NANO SIM & MICRO SD			
X.XXX ±0.1		DRAWN BY		CHECKED BY	APPROVED BY
Angle ±5°		<i>Tina</i>		<i>Lion</i>	<i>Benson</i>
UNIT		SCALE	SIZE	DRAW NO.	REV.
10001		MM	NONE	A4	4MCYB-002
					Sheet
					2/3

A	RELEASE	2016.3.29
REV.	DESCRIPTION	DATE



← INPUT MATERIAL DIRECTION      → GATHER MATERIAL DIRECTION



NOTE: 1000PCS/ REEL, 6000PCS/ 6 REEL/ CARTON

**Cyberconn Technology Co., Ltd.**  
 www.cyberconn.com.tw      Tel.+886-3-4951314

TOLERANCES		MEMORY CARD SERIES				
X.X ±0.3		TITLE				
X.XX ±0.2		NANO SIM & NANO SIM & MICRO SD				
X.XXX ±0.1		3 CHOOSE 2, METAL SHIELD				
Angle ±5°		DRAWN BY		CHECKED BY		APPROVED BY
		<i>Fina</i>		<i>Lion</i>		<i>Benson</i>
	UNIT	SCALE	SIZE	DRAW NO.	REV.	Sheet
	10001	MM	NONE	A4	4MCYB-002	A 3/3

A	RELEASE	2016.3.29
REV.	DESCRIPTION	DATE