

Micro sim&nano sim block pin definition

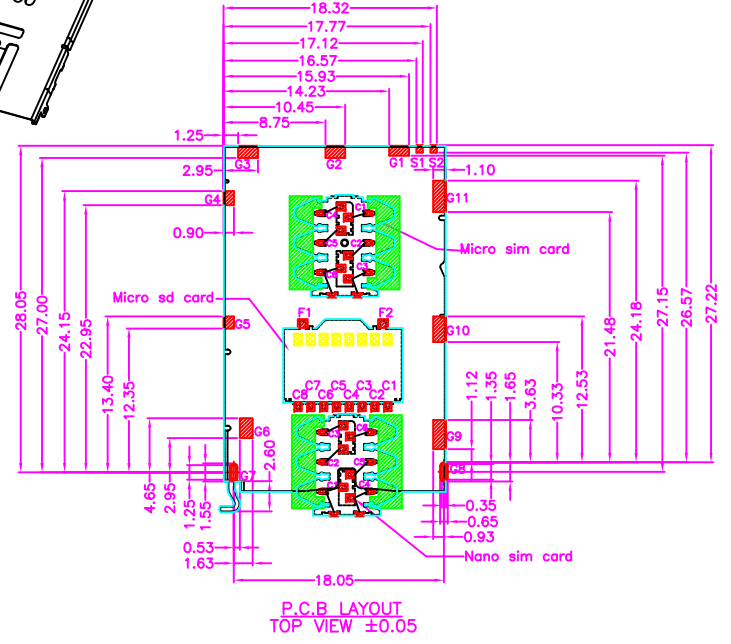
PIN No.	NAME
C1	VCC
C2	RST
C3	CLK
C4	GND
C5	VPP
C6	I/O

Micro sd block pin definition

PIN No.	NAME
C1	DAT2
C2	CD/DAT3
C3	CMD
C4	VDD
C5	CLK
C6	VSS
C7	DAT0
C8	DAT1
F1 F2	Fixe foot

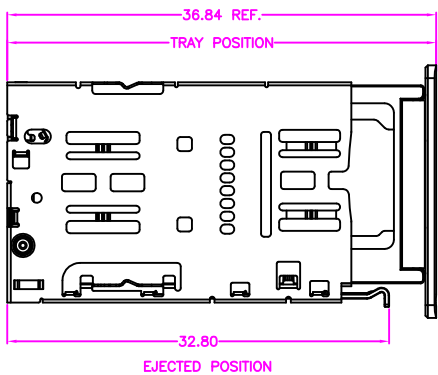
Holder pin definition

PIN No.	NAME
S1 S2	Detect switch
G1~G11	Ground



P.C.B LAYOUT TOP VIEW ±0.05

- SOLDER AREA
- SHEET METAL AREA
- DIGGING HOLES 0.05mm Min
- CONNECTOR BOUNDARY
- OFFSET PRINTING LINE



INFORMATION
 COMPATIBLE MICRO SD DRAWING NO: 4MCKB-005
 COMPATIBLE NANO SIM DRAWING NO: 4MCRB-004

MATERIALS
 HOUSING: HI-TEMP. PLASTIC (UL 94V-0), BLACK
 SHELL: STAINLESS STEEL, NICKEL PLATING
 DETECT SWITCH: COPPER ALLOY, GOLD PLATED
 EJECT BAR: STAINLESS STEEL

PART NUMBER: 4MCYB - * - 0 2 1

SERIES: 4MCYB
 TAPE REEL PACKAGE: 0 2 1

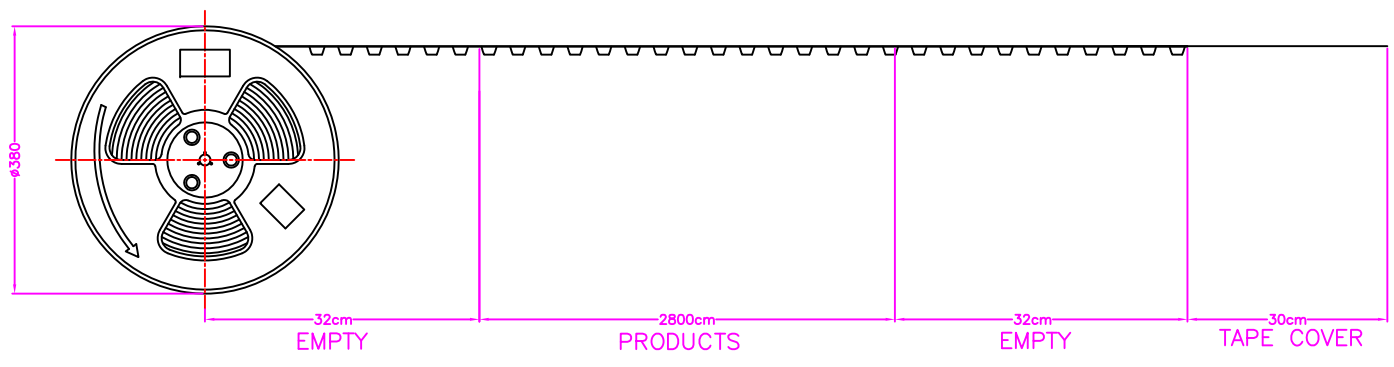
TERMINAL PLATED OPTION

- 1: GOLD FLASH
- 3: 3u" GOLD
- 5: 5u" GOLD
- 6: 10u" GOLD
- 7: 15u" GOLD
- 9: 30u" GOLD

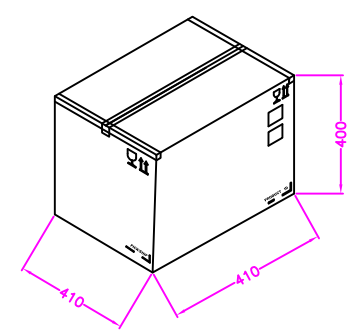
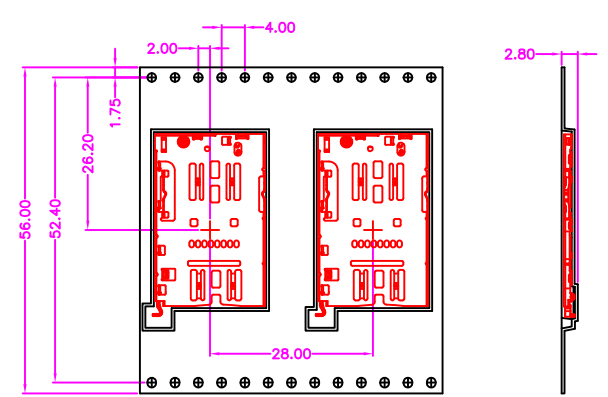
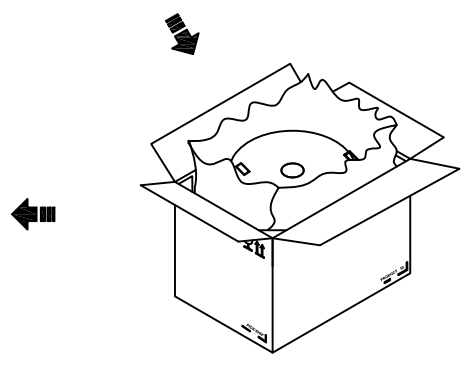
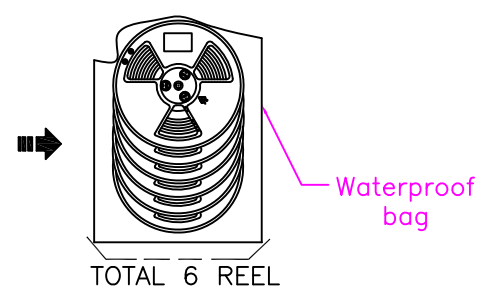
A	RELEASE	2016.1.19
REV.	DESCRIPTION	DATE

Cyberconn Technology Co., Ltd.
 www.cyberconn.com.tw Tel:+886-3-4951314

TOLERANCES	MEMORY CARD SERIES				
X.X ±0.3	TITLE				
X.XX ±0.2	MICRO SIM & NANO SIM & MICRO SD				
X.XXX ±0.1	3 CHOOSE 2, METAL SHIELD				
Angle ±5°	DRAWN BY	CHECKED BY	APPROVED BY		
	<i>Tina</i>	<i>Lion</i>	<i>Benson</i>		
10001	UNIT	SCALE	SIZE	DRAW NO.	REV. Sheet
	MM	NONE	A4	4MCYB-001	A 1/2



← INPUT MATERIAL DIRECTION → GATHER MATERIAL DIRECTION →



NOTE: 1000PCS/ REEL, 6000PCS/ 6 REEL/ CARTON

Cyberconn Technology Co., Ltd.
 www.cyberconn.com.tw Tel:+886-3-4951314

TOLERANCES	MEMORY CARD SERIES				
X.X ±0.3	TITLE MICRO SIM & NANO SIM & MICRO SD				
X.XX ±0.2	3 CHOOSE 2, METAL SHIELD				
X.XXX ±0.1	DRAWN BY	CHECKED BY	APPROVED BY		
Angle ±5°	<i>Tina</i>	<i>Lion</i>	<i>Benson</i>		
	UNIT	SCALE	SIZE	DRAW NO.	REV.
	10001	MM	NONE	A4	4MCYB-001
					Sheet
					2/2

A	RELEASE	2016.1.19
REV.	DESCRIPTION	DATE