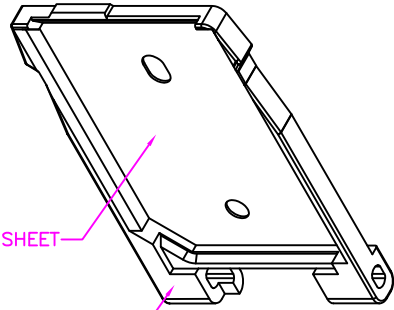
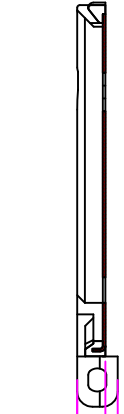
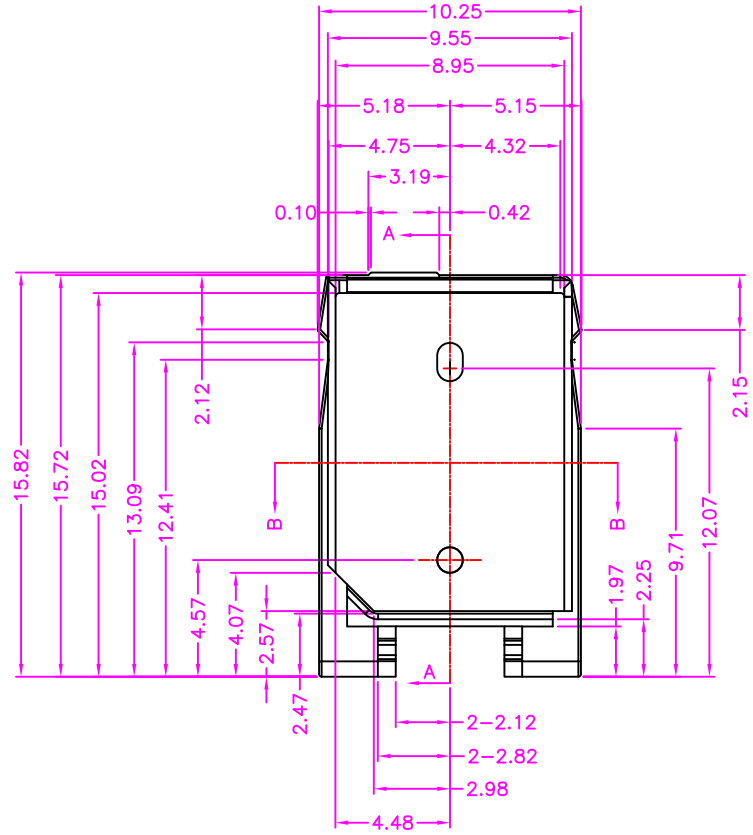


SECTION B-B
SCALE 1:1

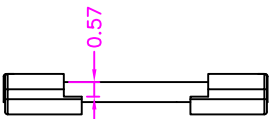


SHEET

HOUSING



SECTION A-A
SCALE 1:1



WARPAGE
0.07MAX

MATERIALS

HOUSING: PA46 (UL 94V-0), WHITE
SHEET: STAINLESS STEEL

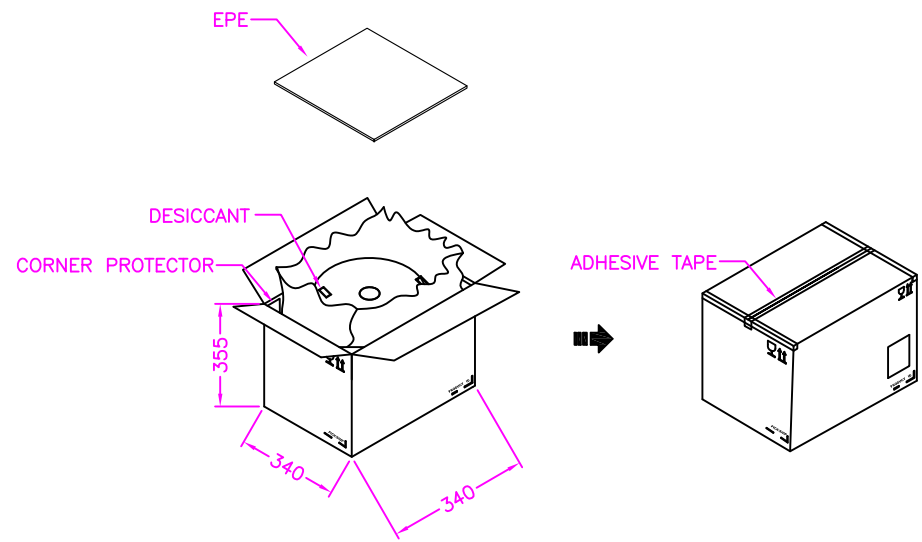
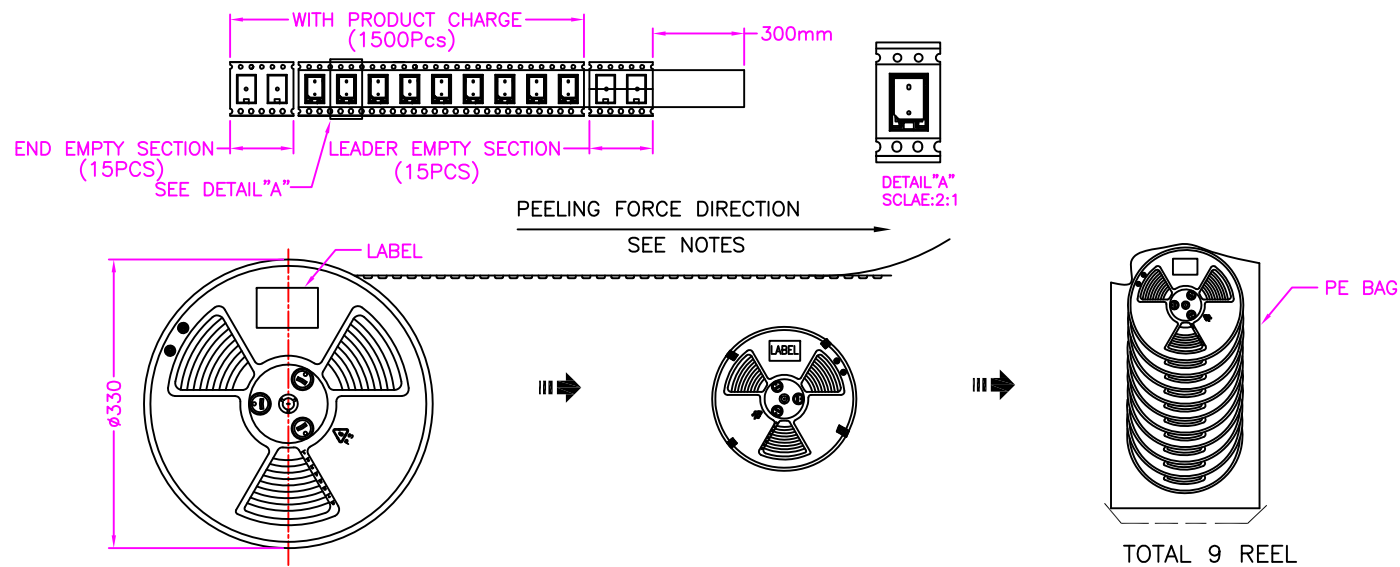
PART NUMBER:
4MCRB - 0 0 3

SERIES


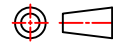
APPLICABLE SIM CARD: 4MCRB-002 & 4MCRB-005

A	RELEASE	2015.7.15
REV.	DESCRIPTION	DATE

Cyberconn Technology Co., Ltd. <small>www.cyberconn.com.tw Tel:+886-3-4951314</small>						
TOLERANCES		TITLE				
X.X ±0.3		MEMORY CARD SERIES				
X.XX ±0.2		NANO SIM CARD TRAY				
X.XXX ±0.1		DRAWN BY		CHECKED BY		APPROVED BY
Angle ±5°		Tina		Lion		Benson
		UNIT	SCALE	SIZE	DRAW NO.	REV.
		10001	MM	NONE	A4	4MCRB-003
						Sheet
						1/2



NOTE: 1500PCS/REEL, 13500PCS/9 REEL/CARTON

 Cyberconn Technology Co., Ltd. www.cyberconn.com.tw Tel:+886-3-4951314							
TOLERANCES		TITLE					
X.X ±0.3		MEMORY CARD SERIES					
X.XX ±0.2		NANO SIM CARD TRAY					
X.XXX ±0.1		DRAWN BY		CHECKED BY		APPROVED BY	
Angle ±5°		<i>Tina</i>		<i>Lion</i>		<i>Benson</i>	
		UNIT	SCALE	SIZE	DRAW NO.	REV.	
		10001	MM	NONE	A4	4MCRB-003	A
						Sheet	
						2/2	

A	RELEASE	2015.7.15
REV.	DESCRIPTION	DATE