

PIN No.	FUNCTION
PIN 1	DAT2
PIN 2	CD/DAT3
PIN 3	CMD
PIN 4	VDD
PIN 5	CLK
PIN 6	VSS
PIN 7	DAT0
PIN 8	DAT1

P.C.B. LAYOUT
TOP VIEW ±0.05

- SOLDER AREA
- SHEET METAL AREA
- CONNECTOR BOUNDARY
- OFFSET PRINTING LINE

PART NUMBER:

4MCKB - 0 8 * - 1 2 5

SERIES

NO. OF POS.

TAPE REEL PACKAGE

TERMINAL PLATED OPTION

- 1: GOLD FLASH
- 3: 3u" GOLD
- 5: 5u" GOLD
- 6: 10u" GOLD
- 7: 15u" GOLD
- 9: 30u" GOLD

INFORMATION

COMPATIBLE METAL SHIELD DRAWING NO: 4MCYB-001
4MCYB-002

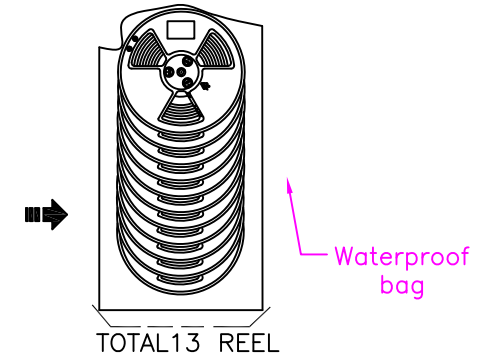
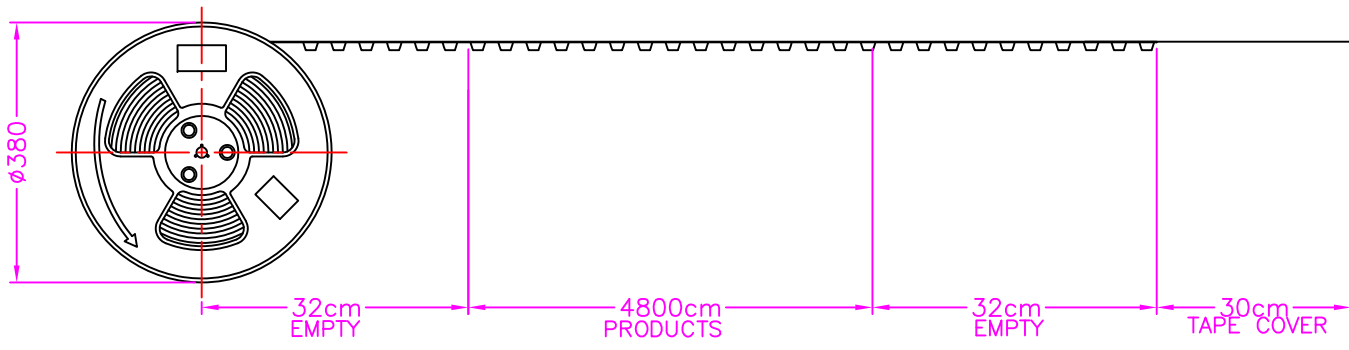
MATERIALS

HOUSING: HI-TEMP. PLASTIC (UL 94V-0), BLACK
SOLDER PAD: COPPER ALLOY, GOLD FLASH
TERMINAL: COPPER ALLOY, GOLD PLATED

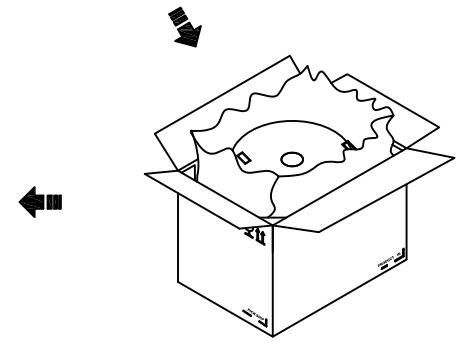
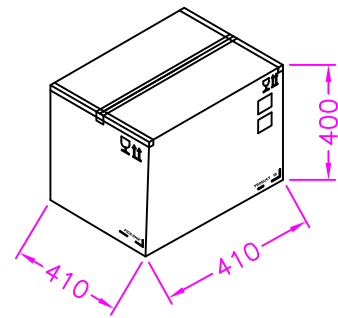
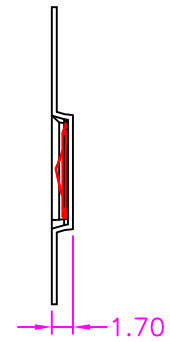
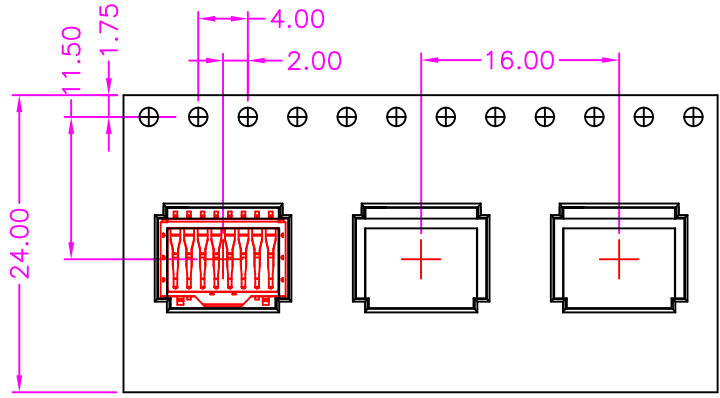
Cyberconn Technology Co., Ltd.
www.cyberconn.com.tw Tel:+886-3-4951314

TOLERANCES		MEMORY CARD SERIES					
X.X ±0.3		TITLE					
X.XX ±0.2		MICRO SD, PCB MOUNT, SMT, ALL PLASTIC					
X.XXX ±0.1		HEIGHT=0.30mm					
Angle ±5°		DRAWN BY		CHECKED BY	APPROVED BY		
		<i>Tina</i>		<i>Lion</i>	<i>Benson</i>		
		UNIT	SCALE	SIZE	DRAW NO.	REV.	Sheet
10001		MM	NONE	A4	4MCKB-005	A	1/2

A	RELEASE	2016.1.18
REV.	DESCRIPTION	DATE



INPUT MATERIAL DIRECTION ← → GATHER MATERIAL DIRECTION



NOTE: 3000PCS/ REEL, 39000PCS/ 13 REEL/ CARTON

Cyberconn Technology Co., Ltd. <small>www.cyberconn.com.tw Tel:+886-3-4951314</small>						
TOLERANCES		MEMORY CARD SERIES MICRO SD, PCB MOUNT, SMT, ALL PLASTIC HEIGHT=0.30mm				
X.X ±0.3 X.XX ±0.2 X.XXX ±0.1 Angle ±5°		TITLE		DRAWN BY		CHECKED BY
				<i>Tina</i>		<i>Lion</i>
				<i>Benson</i>		APPROVED BY
		UNIT	SCALE	SIZE	DRAW NO.	REV.
		10001	MM	NONE	A4	4MCKB-005
						A
						Sheet 2/2

A	RELEASE	2016.1.18
REV.	DESCRIPTION	DATE