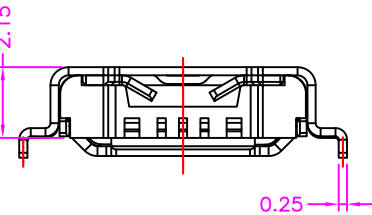
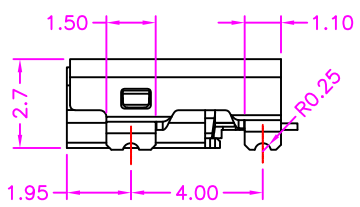
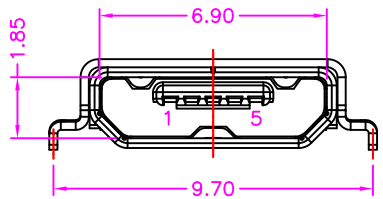


MATERIALS

HOUSING: HI-TEMP. PLASTIC (UL 94V-0), BLACK
 COVER: STAINLESS STEEL, NICKEL PLATING OVER ALL,
 GOLD FLASH ON SOLDER TAIL
 SHELL: STAINLESS STEEL, NICKEL PLATING
 TERMINAL: COPPER ALLOY, GOLD PLATED

SPECIFICATION

CURRENT RATING: 2 AMP MAX (ONLY PIN 1, 5), OTHER 1 AMP MAX
 DIELECTRIC WITHSTANDING: 100V AC FOR ONE MINUTE
 CONTACT RESISTANCE: 30m OHMS MAX
 INSULATION RESISTANCE: 100M OHMS MIN AT DC 500V
 OPERATION TEMPERATURE: -20°C~+105°C



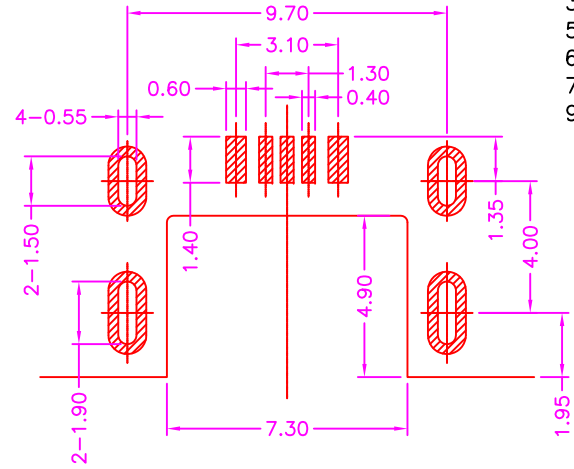
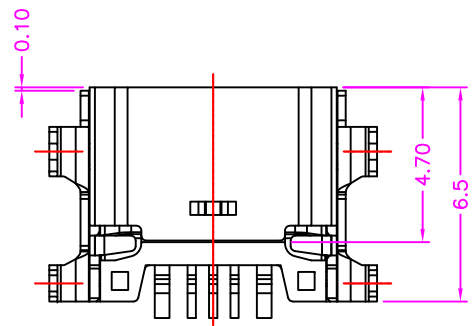
PART NUMBER:

2USTD - 0 5 * - 1 2 A

SERIES NO. OF POS. TAPE REEL PACKAGE

CONTACT PLATED OPTION

- 1: GOLD FLASH
- 3: 3u" GOLD
- 5: 5u" GOLD
- 6: 10u" GOLD
- 7: 15u" GOLD
- 9: 30u" GOLD



P.C.B. LAYOUT TOP VIEW ±0.05

Cyberconn Technology Co., Ltd. www.cyberconn.com.tw Tel:+886-3-4951314						
TOLERANCES		TITLE				
X.X ±0.3		USB CONNECTOR SERIES				
X.XX ±0.2		MICRO USB B TYPE, PCB MOUNT, SMT				
X.XXX ±0.1		MID MOUNT TYPE, METAL SHIELD, FEMALE				
Angle ±5°		DRAWN BY		CHECKED BY		APPROVED BY
		Tina		Lion		Benson
UNIT		SCALE	SIZE	DRAW NO.	REV.	Sheet
10001		MM	NONE	A4	2USTD-010	A 1/1

A	RELEASE	2016.6.21
REV.	DESCRIPTION	DATE