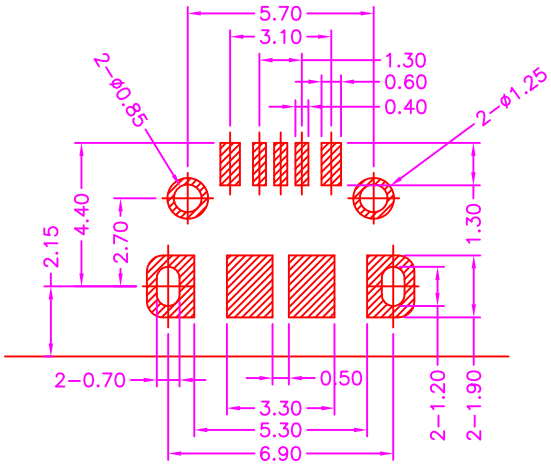
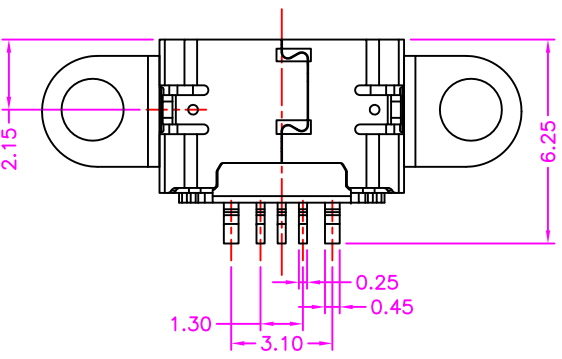
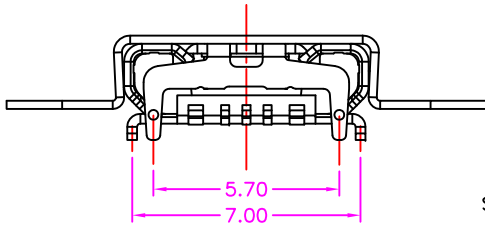
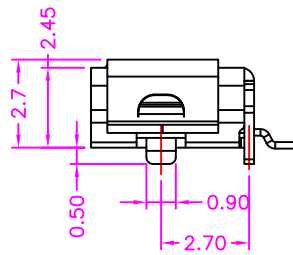
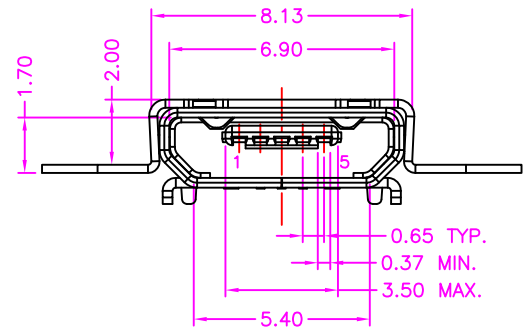


MATERIALS

HOUSING: HI-TEMP. PLASTIC (UL 94V-0), BLACK
 COVER: STAINLESS STEEL, NICKEL PLATING
 SHELL: STAINLESS STEEL, TIN PLATING
 TERMINAL: COPPER ALLOY, GOLD PLATING

SPECIFICATION

CURRENT RATING: 2 AMP MAX (ONLY PIN 1, 5), OTHER 1 AMP MAX
 DIELECTRIC WITHSTANDING: 100V AC FOR ONE MINUTE
 CONTACT RESISTANCE: 30m OHMS MAX
 INSULATION RESISTANCE: 100M OHMS MIN AT DC 500V
 OPERATION TEMPERATURE: -20°C~+105°C



P.C.B. LAYOUT TOP VIEW ±0.05

PART NUMBER:
 2USTA - 0 5 * - 1 2 F

SERIES — NO. OF POS. — TAPE REEL PACKAGE
 CONTACT PLATED OPTION

- 1: GOLD FLASH
- 3: 3u" GOLD
- 5: 5u" GOLD
- 6: 10u" GOLD
- 7: 15u" GOLD
- 9: 30u" GOLD

Cyberconn Technology Co., Ltd. <small>www.cyberconn.com.tw Tel:+886-3-4951314</small>						
TOLERANCES		USB CONNECTOR SERIES				
X.X ±0.3		TITLE MICRO USB B TYPE, PCB MOUNT, SMT, METAL SHIELD WITH SCREW HOLES, FEMALE				
X.XX ±0.2		DRAWN BY		CHECKED BY		APPROVED BY
X.XXX ±0.1		Tina		Lion		Benson
Angle ±5°		UNIT	SCALE	SIZE	DRAW NO.	REV.
		MM	NONE	A4	2USTA-015	A
10001						Sheet 1/1

A	RELEASE	2016.6.23
REV.	DESCRIPTION	DATE