

PART NUMBER:
2USTB - 0 5 * * - 1 * 9 *

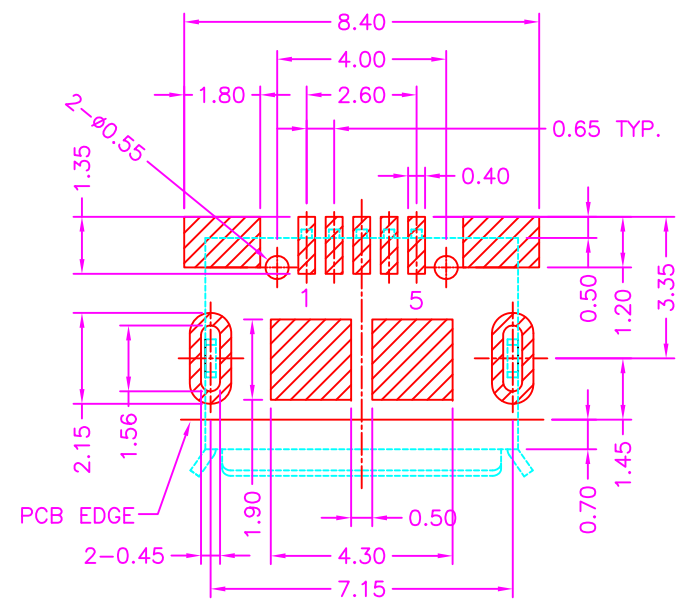
SERIES ————
 NO. OF POS. ————
 CONTACT PLATED OPTION ————

POST OPTION
 BLANK: W/O POST
 P: WITH POST

PACKAGE OPTION
 2: TAPE REEL
 3: TUBE

SHELL MATERIALS OPTION
 BLANK: COPPER ALLOY
 S: STAINLESS STEEL

1: GOLD FLASH
 3: 3u" GOLD
 5: 5u" GOLD
 7: 15u" GOLD
 9: 30u" GOLD



MATERIALS

HOUSING: HI-TEMP. PLASTIC (UL 94V-0), BLACK
 SHELL: COPPER ALLOY OR STAINLESS STEEL, NICKEL PLATING
 TERMINAL: COPPER ALLOY, GOLD PLATING

SPECIFICATION

CURRENT RATING: 1.8 AMP MAX (ONLY PIN 1, 5), OTHER 1 AMP MAX
 DIELECTRIC WITHSTANDING: 100V AC FOR ONE MINUTE
 CONTACT RESISTANCE: 30m OHMS MAX
 INSULATION RESISTANCE: 100M OHMS MIN AT DC 500V
 OPERATION TEMPERATURE: -30°C~+80°C

| | | |
|------|-------------|-----------|
| A | RELEASE | 2015.9.16 |
| REV. | DESCRIPTION | DATE |

Cyberconn Technology Co., Ltd.
 www.cyberconn.com.tw Tel:+886-3-4951314

| | | | | | | |
|--|-------------|--|---------------|----------|-----------|-------|
| TOLERANCES | TITLE | USB CONNECTOR SERIES | | | | |
| X.X ±0.3 X.XX ±0.2 X.XXX ±0.1 Angle ±5° | | MICRO USB B TYPE, PCB MOUNT, SMT METAL SHIELD, FEMALE WITH POST | | | | |
| | DRAWN BY | CHECKED BY | APPROVED BY | | | |
| | <i>Tina</i> | <i>Lion</i> | <i>Benson</i> | | | |
| | UNIT | SCALE | SIZE | DRAW NO. | REV. | Sheet |
| | 10147&10152 | MM | NONE | A4 | 2USTB-009 | A 1/1 |