

MATERIALS

HOUSING: HI-TEMP. PLASTIC (UL 94V-0), BLACK
 SHELL: COPPER ALLOY OR STAINLESS STEEL, NICKEL PLATING
 TERMINAL: COPPER ALLOY, GOLD PLATING

SPECIFICATION

CURRENT RATING: 1.8 AMP MAX (ONLY PIN 1, 5), OTHER 1 AMP MAX
 DIELECTRIC WITHSTANDING: 100V AC FOR ONE MINUTE
 CONTACT RESISTANCE: 30m OHMS MAX
 INSULATION RESISTANCE: 100M OHMS MIN AT DC 500V
 OPERATION TEMPERATURE: -20°C~+105°C

PART NUMBER:

2USTD - 0 5 * * - 1 2 6

SERIES

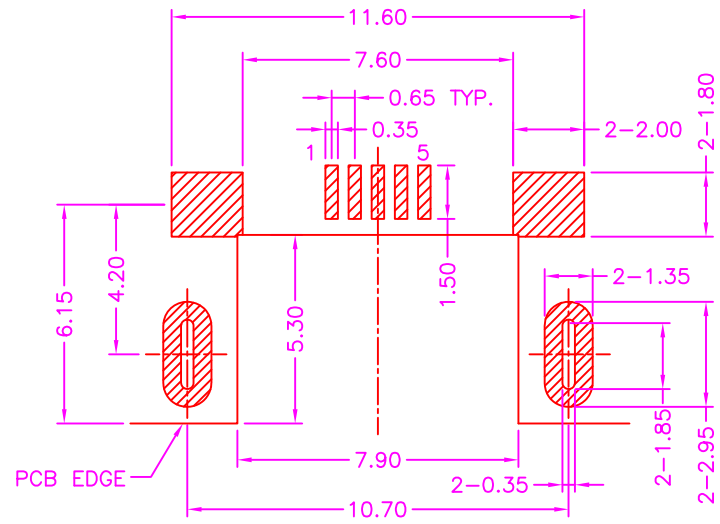
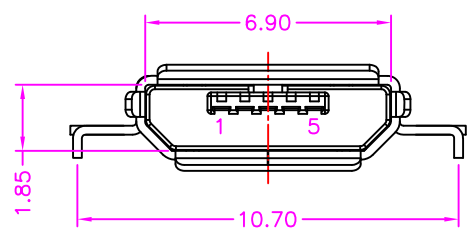
NO. OF POS.

CONTACT PLATED OPTION

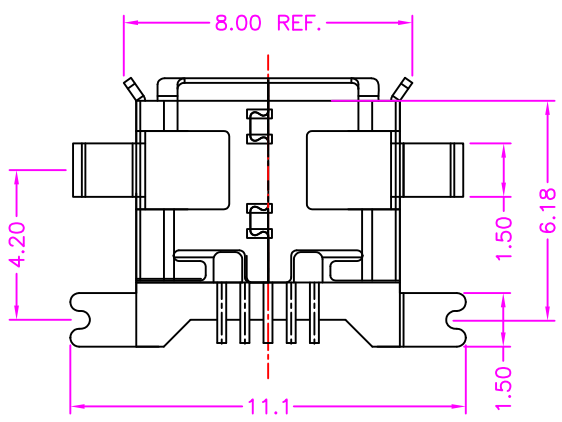
TAPE REEL PACKAGE

SHELL MATERIALS OPTION
 BLANK: COPPER ALLOY
 S: STAINLESS STEEL

- 1: GOLD FLASH
- 3: 3u" GOLD
- 5: 5u" GOLD
- 6: 10u" GOLD
- 7: 15u" GOLD
- 9: 30u" GOLD



P.C.B. LAYOUT TOP VIEW ±0.05



Cyberconn Technology Co., Ltd.
 www.cyberconn.com.tw Tel: +886-3-4951314

TOLERANCES	USB CONNECTOR SERIES				
X.X ±0.3	TITLE MICRO USB B TYPE, PCB MOUNT, SMT MID MOUNT				
X.XX ±0.2	METAL SHIELD, FEMALE				
X.XXX ±0.1	DRAWN BY	CHECKED BY	APPROVED BY		
Angle ±5°	<i>Tina</i>	<i>Lion</i>	<i>Benson</i>		
	UNIT	SCALE	SIZE	DRAW NO.	REV.
	10152	MM	NONE	A4	2USTD-006
					Sheet
					1/1

A	RELEASE	2016.4.22
REV.	DESCRIPTION	DATE