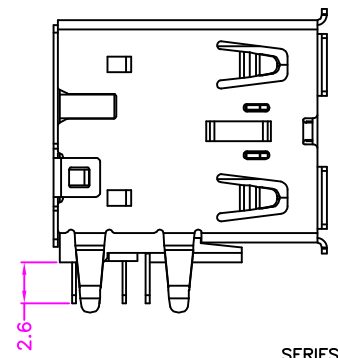
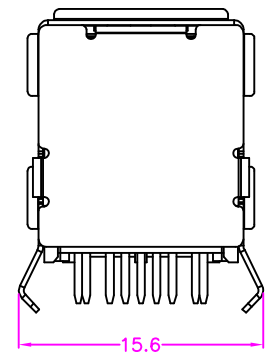
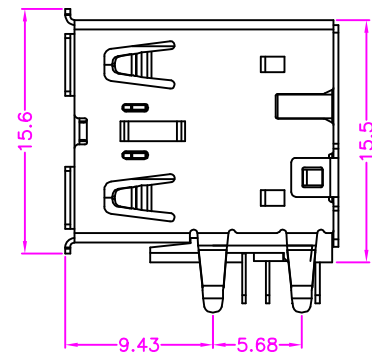
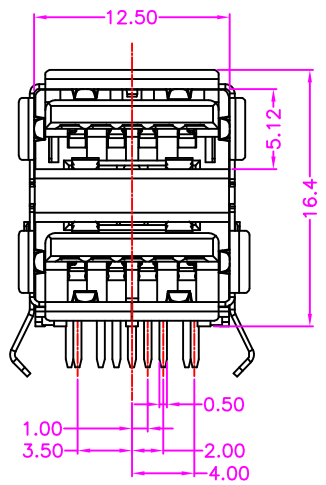


**MATERIALS**

HOUSING: THERMOPLASTIC (UL 94V-0), BLUE  
 FRONT SHELL: COPPER ALLOY, NICKEL PLATING  
 MIDDLE SHELL: SUS  
 REAR SHELL: SUS  
 TERMINAL: COPPER ALLOY, GOLD PLATED ON CONTACT AREA  
 TIN PLATING ON SOLDER TAIL

**SPECIFICATION**

CURRENT RATING: 1.5 AMP MAX  
 DIELECTRIC WITHSTANDING: 500V AC FOR ONE MINUTE  
 CONTACT RESISTANCE: 30m OHMS MAX  
 INSULATION RESISTANCE: 1000M OHMS MIN AT DC 500V  
 OPERATION TEMPERATURE: -40°C~+85°C

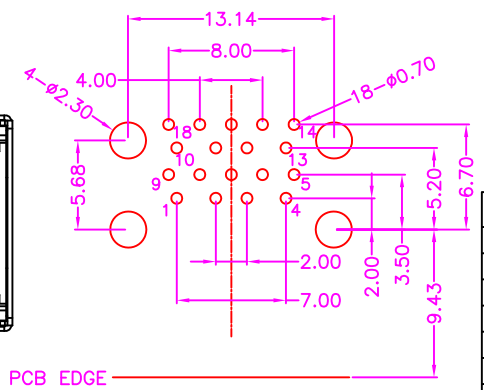
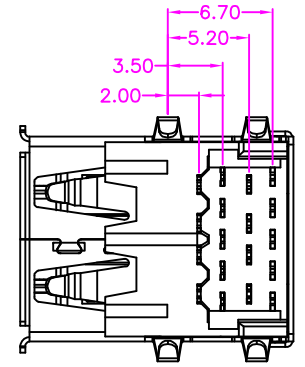
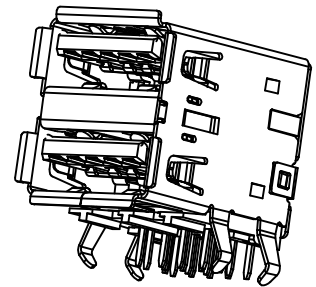


PART NUMBER:  
**2USGC - 1 8 \* T - 1 \* 3**

SERIES — NO. OF POS. — PACKAGE OPTION  
 1. TRAY  
 2. TAPE REEL

CONTACT PLATED OPTION — TIN PLATING ON SOLDER TAIL

1: GOLD FLASH  
 3: 3u" GOLD  
 5: 5u" GOLD  
 6: 10u" GOLD  
 7: 15u" GOLD  
 9: 30u" GOLD



PCB EDGE  
**P.C.B LAYOUT TOP VIEW ±0.05**

Pin NUMBER	SIGNAL NAME
1/10	VBUS
2/11	D-
3/12	D+
4/13	GND
5/14	SSRX-
6/15	SSRX+
7/16	GND
8/17	SSTX-
9/18	SSTX+
Shell	Shield

**Cyberconn Technology Co., Ltd.**  
 www.cyberconn.com.tw Tel+886-3-4951314

TOLERANCES	TITLE		
2/11 D-	USB CONNECTOR SERIES		
3/12 D+	STACKED USB 3.0 A TYPE, PCB MOUNT, R/A, METAL SHIELD FEMALE		
4/13 GND	DRAWN BY	CHECKED BY	APPROVED BY
5/14 SSRX-	<i>Tina</i>	<i>Lion</i>	<i>Benson</i>
6/15 SSRX+	UNIT	SCALE	SIZE
7/16 GND	MM	NONE	A4
8/17 SSTX-	DRAW NO.	REV.	Sheet
9/18 SSTX+	2USGC-003	A	1/1

A	RELEASE	2014.12.4
REV.	DESCRIPTION	DATE