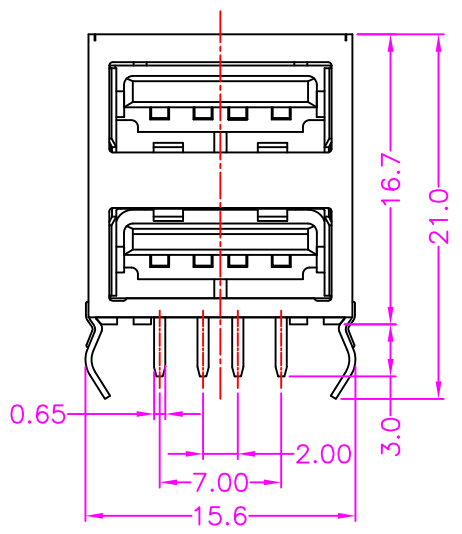
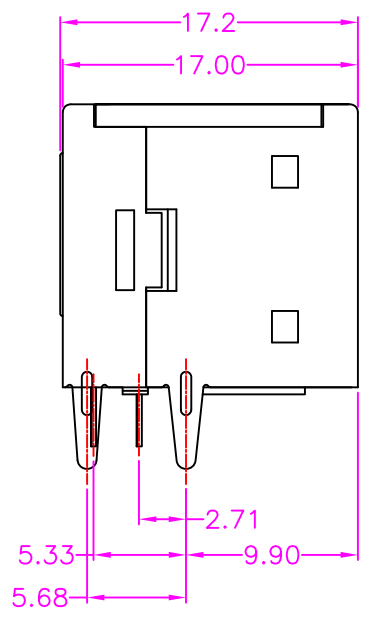


**MATERIALS**

HOUSING: THERMOPLASTIC (UL 94V-0)  
 SHELL: COPPER ALLOY OR STEEL, NICKEL PLATING  
 TERMINAL: COPPER ALLOY, GOLD PLATING ON CONTACT AREA  
 TIN PLATING ON SOLDER TAIL

**SPECIFICATION**

CURRENT RATING: 1 AMP MAX  
 DIELECTRIC WITHSTANDING: 500V AC FOR ONE MINUTE  
 CONTACT RESISTANCE: 30m OHMS MAX  
 INSULATION RESISTANCE: 1000M OHMS MIN AT DC 500V  
 OPERATION TEMPERATURE: -25°C~+85°C



**PART NUMBER:**  
**2USCC - 0 8 \* T \* - 1 1 B \***

SERIES — NO. OF POS. — CONTACT PLATED OPTION — HOUSING COLOR OPTION — TRAY PACKAGE — SHELL OPTION — TIN PLATING ON SOLDER TAIL

1: GOLD FLASH  
 3: 3u" GOLD  
 5: 5u" GOLD  
 6: 10u" GOLD  
 7: 15u" GOLD  
 9: 30u" GOLD

BLANK: BLACK  
 W: WHITE

BLANK: COPPER ALLOY  
 S: STEEL

A	RELEASE	2016.3.28
REV.	DESCRIPTION	DATE

**Cyberconn Technology Co., Ltd.**  
 www.cyberconn.com.tw Tel:+886-3-4951314

TOLERANCES	USB CONNECTOR SERIES					
X.X ±0.3	TITLE	STACKED 2X1 USB A TYPE, PCB MOUNT, R/A METAL SHIELD, FEMALE				
X.XX ±0.2	DRAWN BY	CHECKED BY	APPROVED BY			
X.XXX ±0.1	<i>Tina</i>	<i>Lion</i>	<i>Benson</i>			
Angle ±5°	UNIT	SCALE	SIZE	DRAW NO.	REV.	Sheet
	10196	MM	NONE	A4	2USCC-011	A 1/1