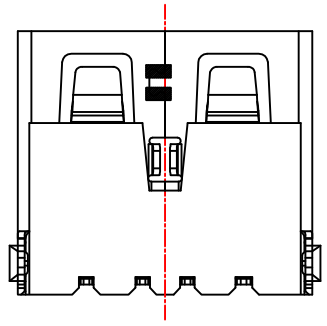


P.C.B LAYOUT
TOP VIEW ±0.05



PART NUMBER:
2USAH - 0 4 * T * - 1 1 4

SERIES — NO. OF POS. — CONTACT PLATED OPTION — TRAY PACKAGE — SHELL OPTION — TIN PLATING ON SOLDER TAIL

1: GOLD FLASH
3: 3u" GOLD
5: 5u" GOLD
6: 10u" GOLD
7: 15u" GOLD
9: 30u" GOLD

BLANK: COPPER ALLOY
S: STEEL

MATERIALS

HOUSING: THERMOPLASTIC (UL 94V-0), BLACK
SHELL: COPPER ALLOY OR STEEL, NICKEL PLATING
TERMINAL: COPPER ALLOY, GOLD PLATED ON CONTACT AREA
TIN PLATING ON SOLDER TAIL

SPECIFICATION

CURRENT RATING: 1 AMP MAX
DIELECTRIC WITHSTANDING: 500V AC FOR ONE MINUTE
CONTACT RESISTANCE: 30m OHMS MAX
INSULATION RESISTANCE: 1000M OHMS MIN AT DC 500V
OPERATION TEMPERATURE: -25°C~+85°C

A	RELEASE	2016.3.28
REV.	DESCRIPTION	DATE

Cyberconn Technology Co., Ltd.
www.cyberconn.com.tw Tel:+886-3-4951314

TOLERANCES	TITLE	USB CONNECTOR SERIES USB A TYPE, PCB MOUNT, REVERSE TYPE R/A, METAL SHIELD, FEMALE				
X.X ±0.3 X.XX ±0.2 X.XXX ±0.1 Angle ±5°	DRAWN BY	CHECKED BY	APPROVED BY			
	<i>Tina</i>	<i>Lion</i>	<i>Benson</i>			
10134	UNIT	SCALE	SIZE	DRAW NO.	REV.	Sheet
	MM	NONE	A4	2USAH-004	A	1/1