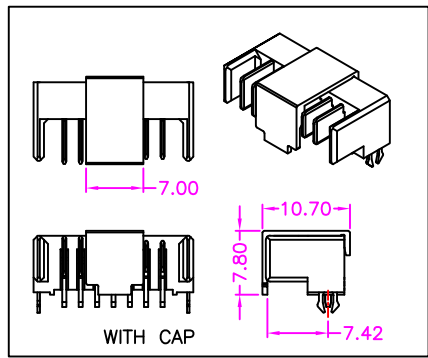
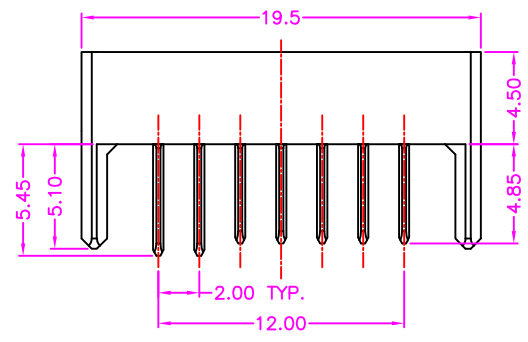


1 2 3 4 5 6 7 8

F

F



MATERIALS

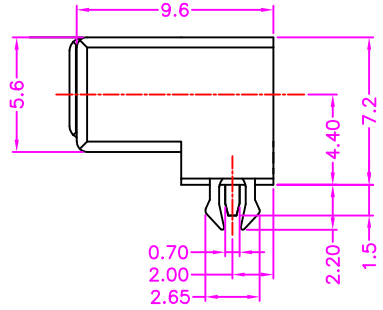
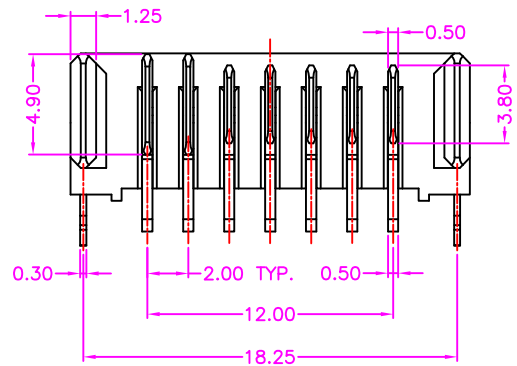
HOUSING: HI-TEMP. PLASTIC (UL 94V-0)  
 FORK: IRON, TIN PLATING  
 TERMINAL: COPPER ALLOY, GOLD PLATED ON CONTACT AREA  
 TIN PLATING ON SOLDER TAIL

SPECIFICATION

CURRENT RATING: 7 AMP MAX  
 DIELECTRIC WITHSTANDING: 500V AC FOR ONE MINUTE  
 CONTACT RESISTANCE: 30m OHMS MAX  
 INSULATION RESISTANCE: 500M OHMS MIN AT DC 100V  
 OPERATION TEMPERATURE: -40°C~+85°C

D

D



PART NUMBER:

1BTET - 0 7 \* T - 2 2 2

SERIES ————  
 NO. OF POS. ————  
 CONTACT PLATED OPTION ————  
 TAPE REEL PACKAGE  
 TIN PLATING ON SOLDER TAIL

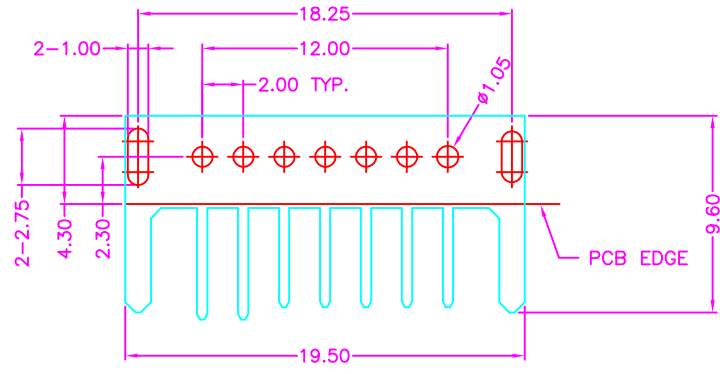
- 1: GOLD FLASH
- 3: 3u" GOLD
- 5: 5u" GOLD
- 6: 10u" GOLD
- 7: 15u" GOLD
- 9: 30u" GOLD
- T: TIN

C

C

B

B



P.C.B. LAYOUT TOP VIEW ±0.05

A

A

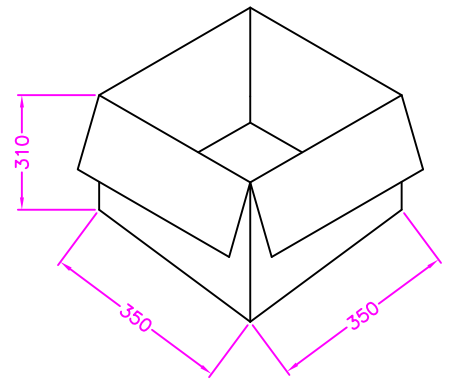
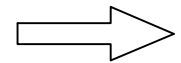
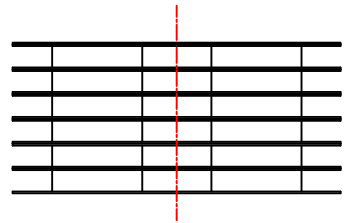
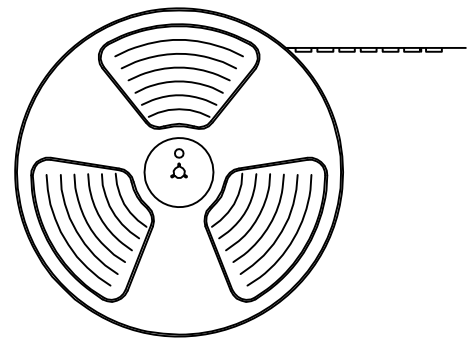
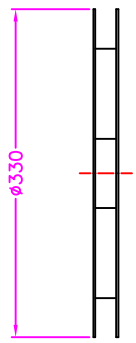
B	MODIFY DRAW.	2016.2.4
A	RELEASE	2015.12.15
REV.	DESCRIPTION	DATE

**Cyberconn Technology Co., Ltd.**  
 www.cyberconn.com.tw Tel:+886-3-4951314

TOLERANCES	BATTERY CONNECTOR SERIES				
X.X ±0.3	TITLE BATTERY, 2.00mm PITCH, PCB MOUNT, ALL PLASTIC R/A, FEMALE WITH FORK				
X.XX ±0.2	DRAWN BY		CHECKED BY		APPROVED BY
X.XXX ±0.1	Tins		Lion		Benson
Angle ±5°	UNIT	SCALE	SIZE	DRAW NO.	REV. Sheet
	10214	MM	NONE	A4 1BTET-002	B 1/2

1 2 3 4 5 6 7 8

1 2 3 4 5 6 7 8



NOTE: 250PCS/ REEL, 1500PCS/ 6 REEL/ CARTON

B	MODIFY DRAW.	2016.2.4
A	RELEASE	2015.12.15
REV.	DESCRIPTION	DATE

**Cyberconn Technology Co., Ltd.**  
www.cyberconn.com.tw Tel:+886-3-4951314

TOLERANCES	BATTERY CONNECTOR SERIES					
X.X ±0.3	TITLE BATTERY, 2.00mm PITCH, PCB MOUNT, ALL PLASTIC					
X.XX ±0.2	R/A, FEMALE WITH FORK					
X.XXX ±0.1	DRAWN BY	CHECKED BY	APPROVED BY			
Angle ±5°	<i>Tins</i>	<i>Lion</i>	<i>Benson</i>			
	UNIT	SCALE	SIZE	DRAW NO.	REV.	Sheet
	10214	MM	NONE	A4	1BTET-002	B 2/2

1 2 3 4 5 6 7 8