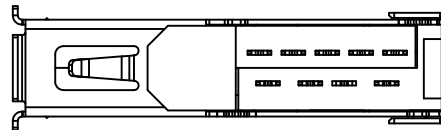
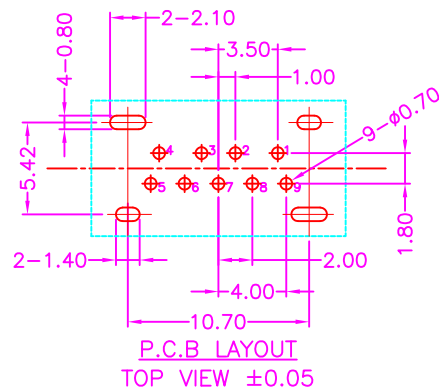
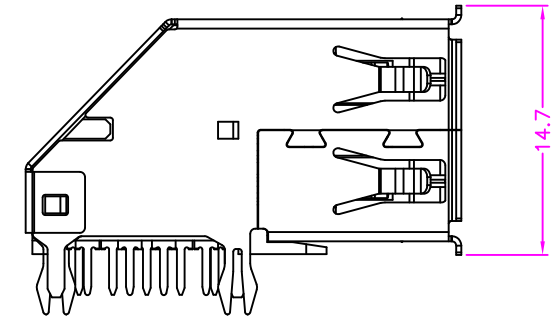
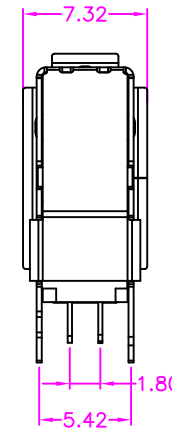
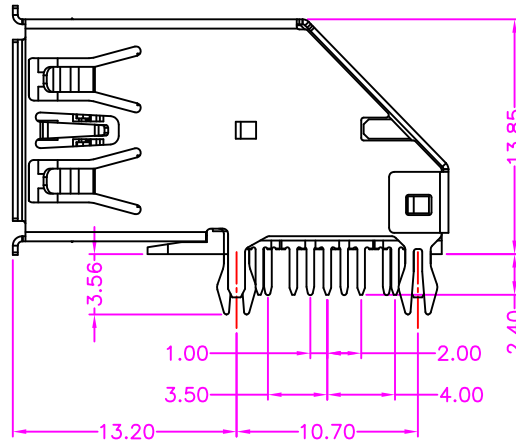
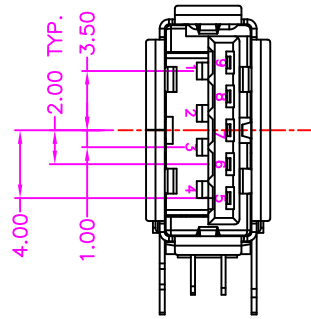
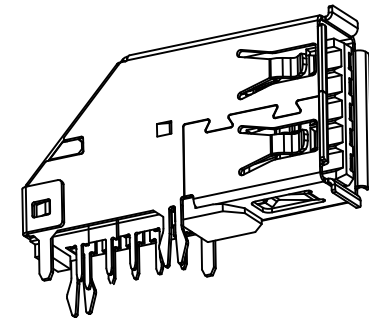
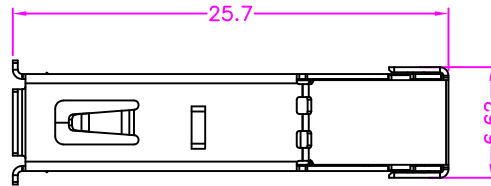


Pin Number	Signal Name	Pin Number	Signal Name
1	VBUS	5	SSRX-
2	D-	6	SSRX+
3	D+	7	GND
4	GND	8	SSTX-
Shell	Shield	9	SSRT+



MATERIALS

HOUSING: PBT OR LCP (UL 94V-0), BLUE  
 SHELL: SUS304, NICKEL PLATING  
 TERMINAL: COPPER ALLOY, GOLD PLATED ON CONTACT AREA  
 TIN PLATING ON SOLDER TAIL

SPECIFICATION

CURRENT RATING: 1.5 AMP MAX  
 DIELECTRIC WITHSTANDING: 500V AC FOR ONE MINUTE  
 CONTACT RESISTANCE: 30m OHMS MAX  
 INSULATION RESISTANCE: 1000M OHMS MIN AT DC 500V  
 OPERATION TEMPERATURE: -40°C~+85°C

PART NUMBER:  
 2USEU - 0 9 \* T - 1 1 1 \*

- SERIES
- NO. OF POS.
- CONTACT PLATED OPTION
- 1: GOLD FLASH
- 3: 3u" GOLD
- 5: 5u" GOLD
- 6: 10u" GOLD
- 7: 15u" GOLD
- 9: 30u" GOLD
- TIN PLATING ON SOLDER TAIL
- TRAY PACKAGE
- HOUSING OPTION  
 BLANK: PBT  
 L: LCP

**Cyberconn Technology Co., Ltd.**  
 www.cyberconn.com.tw Tel:+886-3-4951314

TOLERANCES	USB CONNECTOR SERIES				
X.X ±0.3	TITLE				
X.XX ±0.2	USB 3.0 A TYPE, PCB MOUNT, UPRIGHT				
X.XXX ±0.1	METAL SHIELD, FEMALE				
Angle ±5°	DRAWN BY	CHECKED BY	APPROVED BY		
	Janice	Lion	Benson		
UNIT	SCALE	SIZE	DRAW NO.	REV.	Sheet
10006&10057	MM	NONE	A4	2USEU-001	A 1/1

A	RELEASE	2012.11.15
REV.	DESCRIPTION	DATE