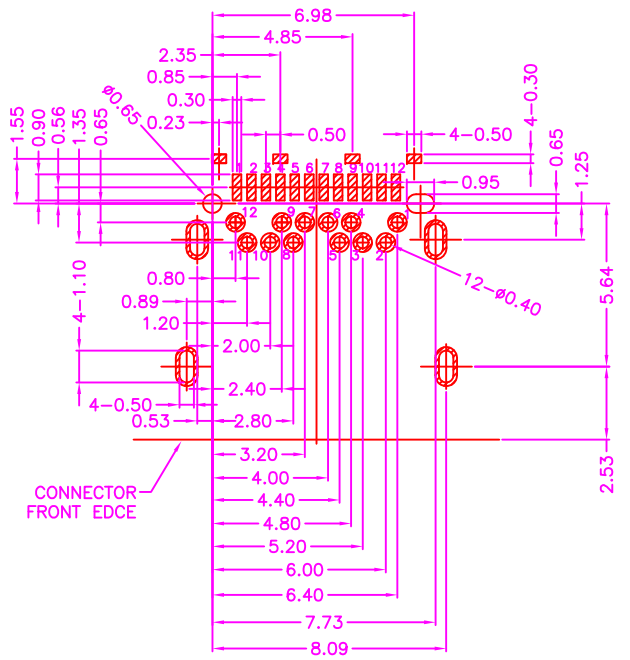
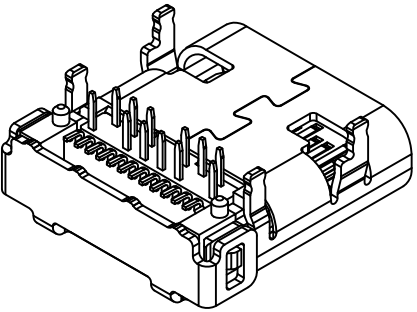
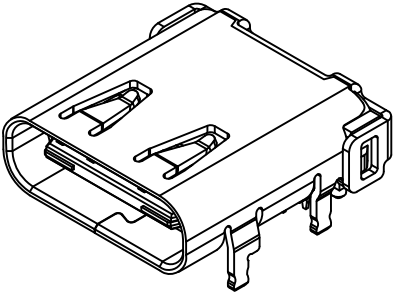
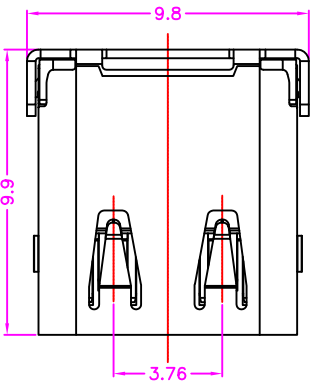
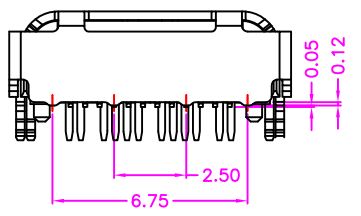
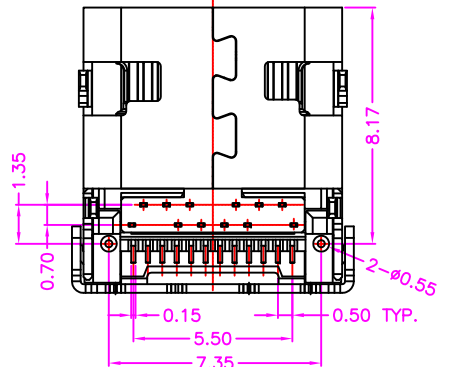
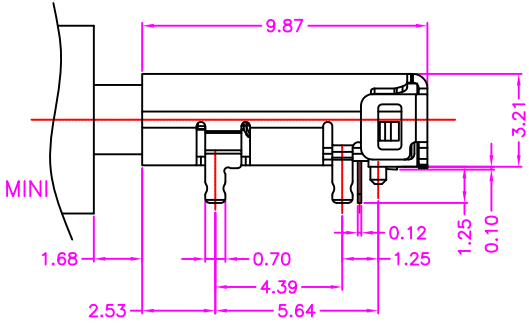
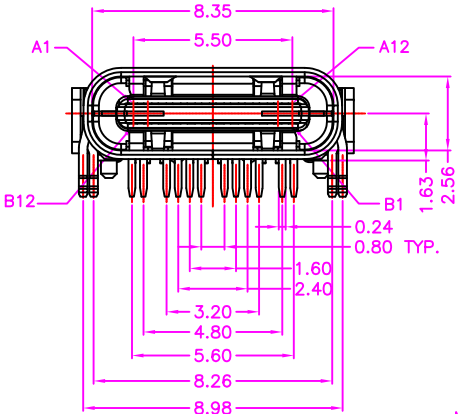


MATERIALS

HOUSING: HI-TEMP. PLASTIC (UL 94V-0)
SHELL: SUS, NICKEL PLATING
TERMINAL: COPPER ALLOY, GOLD PLATED



P.C.B. LAYOUT TOP VIEW ±0.05



PART NUMBER:

2USJB - 2 4 * - 1 * 2 *

SERIES

NO. OF POS.

COLOR OPTION
BLANK: BLACK
BL: BLUE

CONTACT PLATED OPTION

- 1: GOLD FLASH
- 3: 3u" GOLD
- 5: 5u" GOLD
- 6: 10u" GOLD
- 7: 15u" GOLD
- 9: 30u" GOLD

PACKAGE OPTION
1: TRAY
2: TAPE REEL

Cyberconn Technology Co., Ltd.
www.cyberconn.com.tw Tel:+886-3-4951314

	A	B
1	GND	12 GND
2	TX+	11 RX+
3	TX-	10 RX-
4	VBUS	9 PWR
5	CC	8 SBU2
6	D+	7 D-
7	D-	6 D+
8	SBU1	5 Vconn
9	VBUS	4 PWR
10	RX-	3 TX-
11	RX+	2 TX+
12	GND	1 GND

TOLERANCES

X.X	±0.3
X.XX	±0.2
X.XXX	±0.1
Angle	±5°

TITLE	USB CONNECTOR SERIES USB C TYPE, PCB MOUNT, SMT, METAL SHIELD FEMALE WITH POST		
DRAWN BY	CHECKED BY	APPROVED BY	
<i>Tina</i>	<i>Lion</i>	<i>Benson</i>	

UNIT	SCALE	SIZE	DRAW NO.	REV.	Sheet
MM	NONE	A4	2USJB-002	A	1/1

A	RELEASE	2015.10.20
REV.	DESCRIPTION	DATE