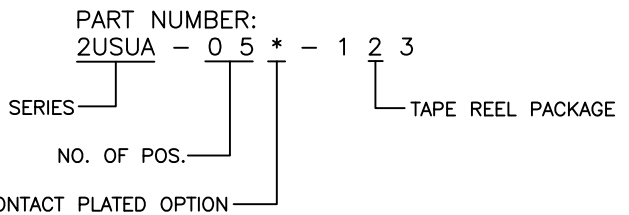
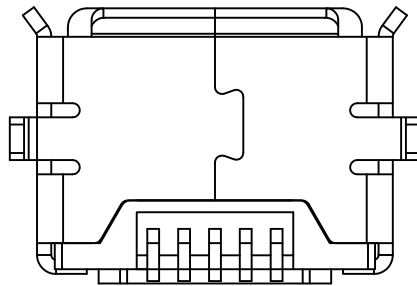
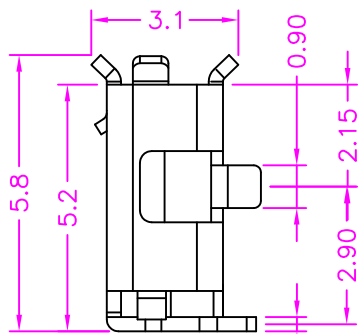
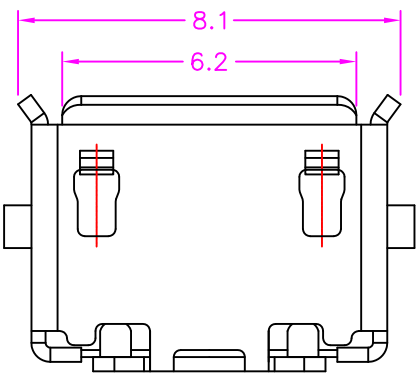


MATERIALS

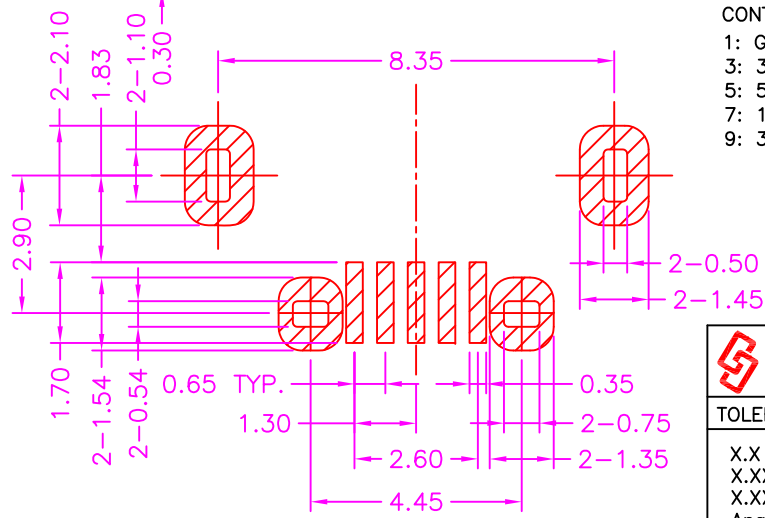
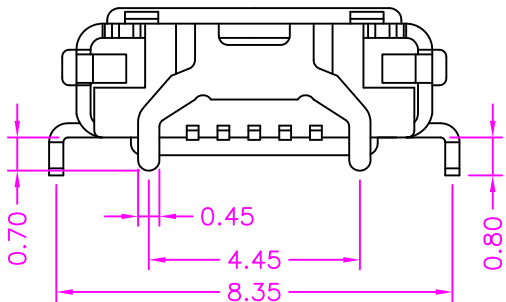
HOUSING: LCP (UL 94V-0), BLACK
 SHELL: STAINLESS STEEL
 TERMINAL: COPPER ALLOY, GOLD PLATED

SPECIFICATION

CURRENT RATING: 1.8 AMP MAX (ONLY PIN 1, 5), OTHER 1 AMP MAX
 DIELECTRIC WITHSTANDING: 100V AC FOR ONE MINUTE
 CONTACT RESISTANCE: 30m OHMS MAX
 INSULATION RESISTANCE: 100M OHMS MIN AT DC 500V
 OPERATION TEMPERATURE: -25°C~+105°C



- 1: GOLD FLASH
- 3: 3u" GOLD
- 5: 5u" GOLD
- 7: 15u" GOLD
- 9: 30u" GOLD

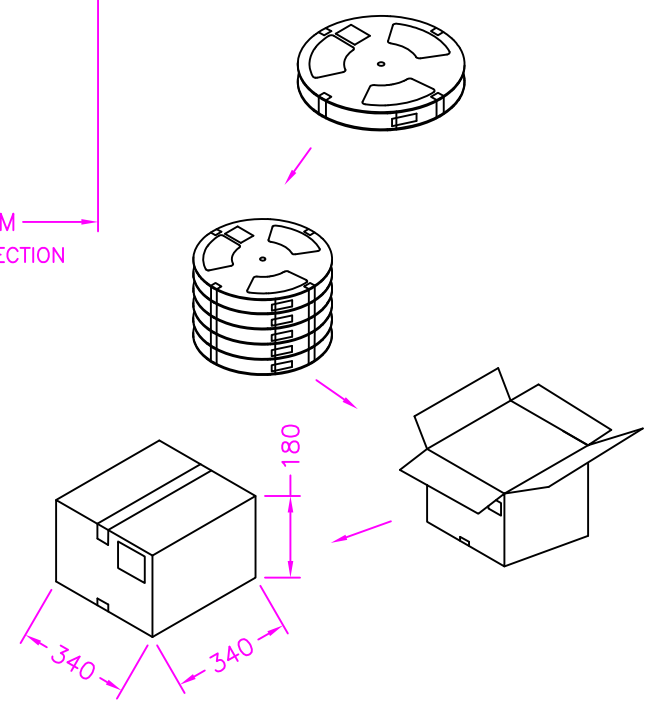
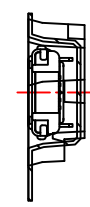
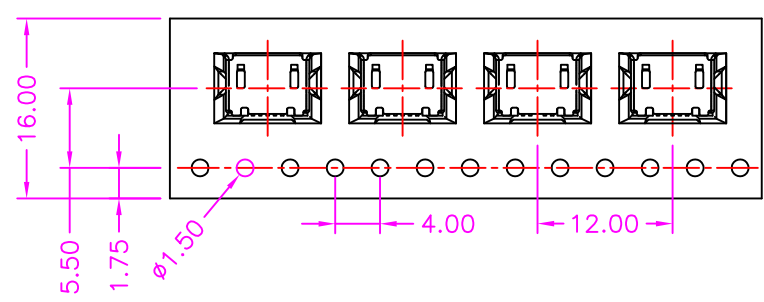
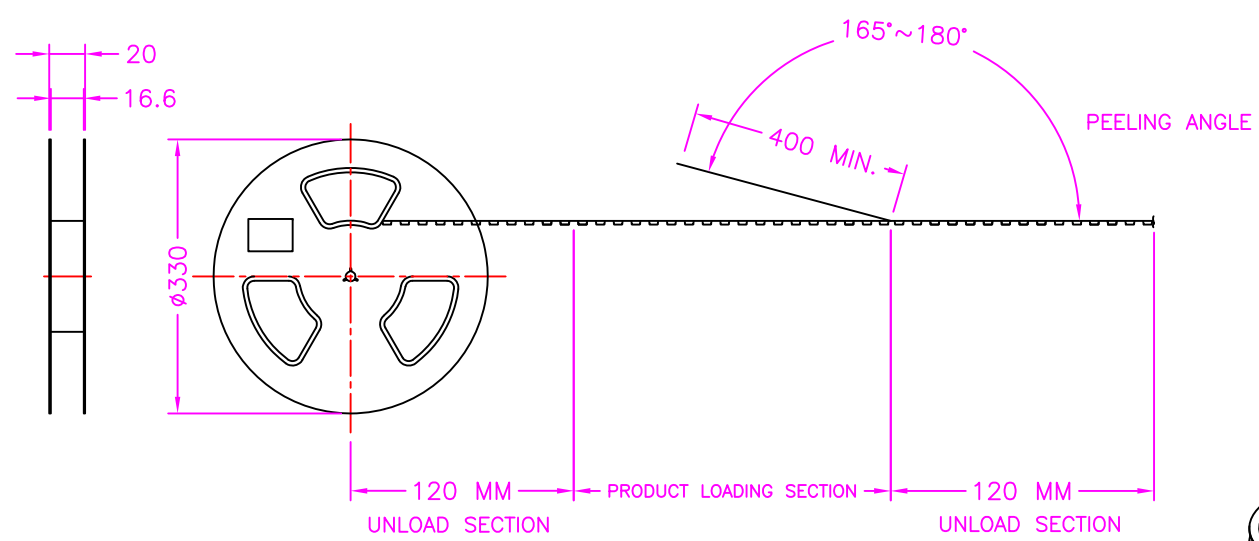


P.C.B LAYOUT TOP VIEW ±0.05


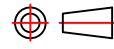
Cyberconn Technology Co., Ltd.
 www.cyberconn.com.tw Tel: +886-3-4951314

| | | | | | | |
|------------|-------------|-----------------------------------|---------------|----------|-----------|-------|
| TOLERANCES | TITLE | USB CONNECTOR SERIES | | | | |
| X.X ±0.3 | | MICRO USB AB TYPE, PCB MOUNT, SMT | | | | |
| X.XX ±0.2 | | METAL SHIELD, FEMALE | | | | |
| X.XXX ±0.1 | DRAWN BY | CHECKED BY | APPROVED BY | | | |
| Angle ±5° | <i>Tina</i> | <i>Lion</i> | <i>Benson</i> | | | |
| | UNIT | SCALE | SIZE | DRAW NO. | REV. | Sheet |
| | 10196 | MM | NONE | A4 | 2USUA-003 | A 1/2 |

| | | |
|------|-------------|------------|
| A | RELEASE | 2015.11.17 |
| REV. | DESCRIPTION | DATE |



NOTE: 1500PCS/REEL, 12000PCS/8 REEL/CARTON

| | | | | | | |
|---|-------|-----------------------------------|----------|------------|-------|-------------|
|  Cyberconn Technology Co., Ltd. www.cyberconn.com.tw Tel: +886-3-4951314 | | | | | | |
| TOLERANCES | | TITLE | | | | |
| X.X ±0.3 | | USB CONNECTOR SERIES | | | | |
| X.XX ±0.2 | | MICRO USB AB TYPE, PCB MOUNT, SMT | | | | |
| X.XXX ±0.1 | | METAL SHIELD, FEMALE | | | | |
| Angle ±5° | | DRAWN BY | | CHECKED BY | | APPROVED BY |
|  | | Tina | | Lion | | Benson |
| UNIT | SCALE | SIZE | DRAW NO. | REV. | Sheet | |
| 10196 | MM | NONE | A4 | 2USUA-003 | A | 2/2 |

| | | |
|------|-------------|------------|
| A | RELEASE | 2015.11.17 |
| REV. | DESCRIPTION | DATE |