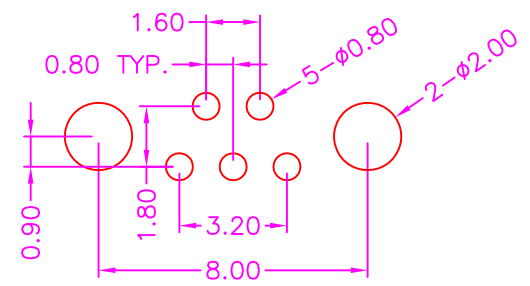
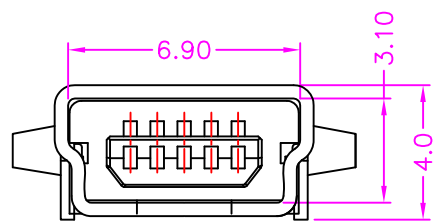
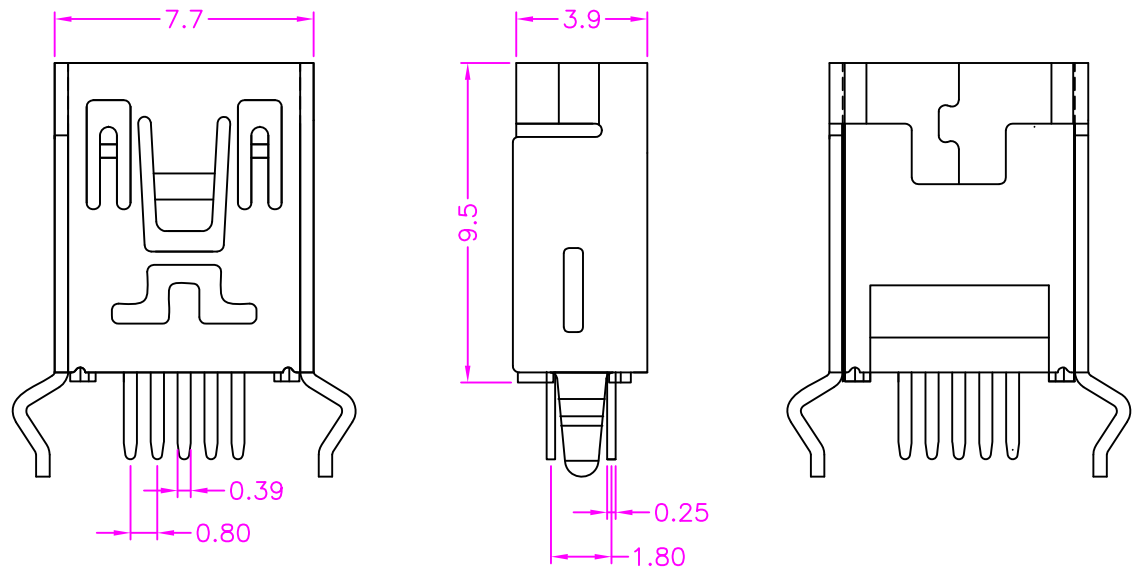


### MATERIALS

HOUSING: THERMOPLASTIC (UL 94V-0)  
 SHELL: COPPER ALLOY, NICKEL PLATING  
 TERMINAL: COPPER ALLOY, GOLD PLATED ON CONTACT AREA  
 TIN PLATING ON SOLDER TAIL

### SPECIFICATION

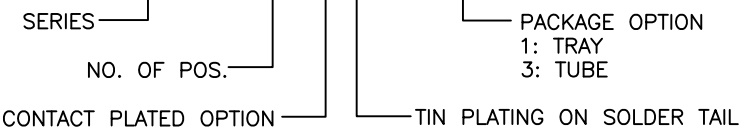
CURRENT RATING: 1 AMP MAX  
 DIELECTRIC WITHSTANDING: 100V AC FOR ONE MINUTE  
 CONTACT RESISTANCE: 50m OHMS MAX  
 INSULATION RESISTANCE: 100M OHMS MIN AT DC 100V  
 OPERATION TEMPERATURE: -25°C~+85°C



**P.C.B LAYOUT**  
 TOP VIEW ±0.05

#### PART NUMBER:

2USMN - 0 5 \* T - 1 \* 4



- CONTACT PLATED OPTION
- 1: GOLD FLASH
- 3: 3u" GOLD
- 5: 5u" GOLD
- 6: 10u" GOLD
- 7: 15u" GOLD
- 9: 30u" GOLD

<b>Cyberconn Technology Co., Ltd.</b> <small>www.cyberconn.com.tw Tel:+886-3-4951314</small>		<b>USB CONNECTOR SERIES</b>					
		TITLE: MINI USB, B TYPE, PCB MOUNT, VERTICAL METAL SHIELD, FEMALE					
TOLERANCES X.X ±0.3 X.XX ±0.2 X.XXX±0.1 Angle ±5°		DRAWN BY		CHECKED BY		APPROVED BY	
		Tina		Lion		Benson	
		UNIT	SCALE	SIZE	DRAW NO.	REV.	Sheet
10134		MM	NONE	A4	2USMN-004	A	1/1

A	RELEASE	2015.10.30
REV.	DESCRIPTION	DATE