

PIN	Signal Name	PIN	Signal Name
A1	GND	B12	GND
A2	SSTXp1	B11	SSRXp1
A3	SSTXn1	B10	SSRXn1
A4	VBUS	B9	VBUS
A5	CC1	B8	SBU2
A6	Dp1	B7	Dn2
A7	Dn1	B6	Dp2
A8	SBU1	B5	CC2
A9	VBUS	B4	VBUS
A10	SSRXn2	B3	SSTXn2
A11	SSRXp2	B2	SSTXp2
A12	GND	B1	GND

PART NUMBER:

2USJD - 2 4 \* T - 1 2 1

SERIES

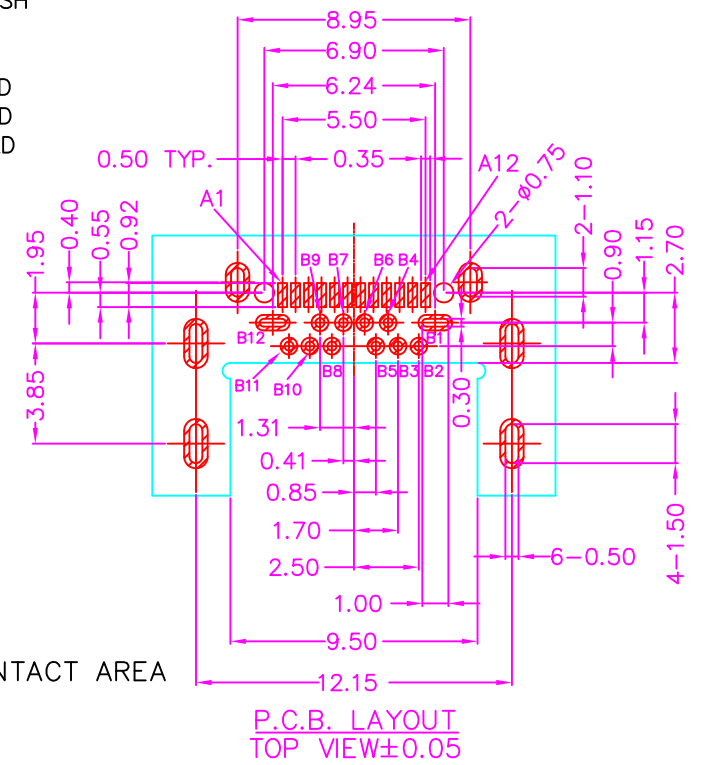
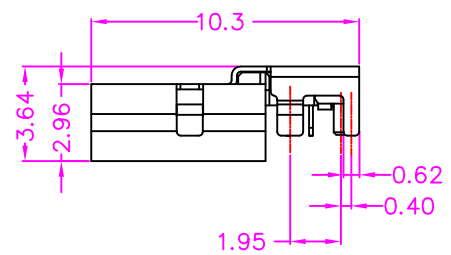
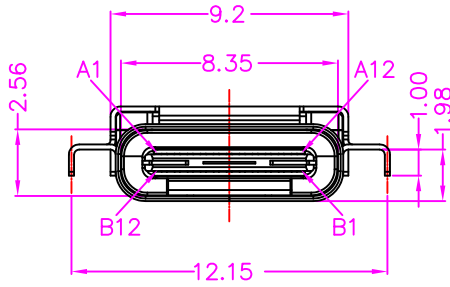
NO. OF POS.

TAPE REEL PACKAGE

TIN PLATING ON SOLDER TAIL

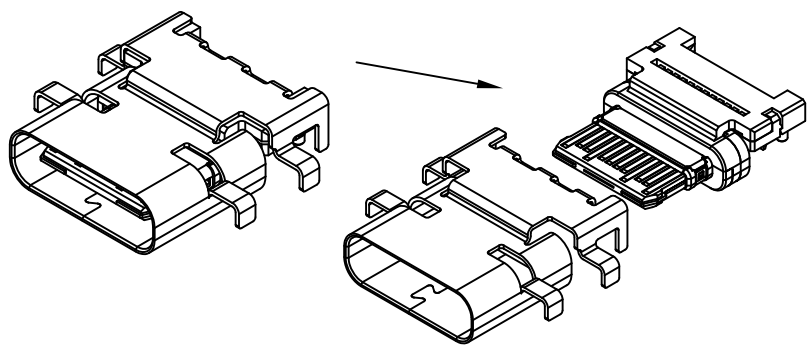
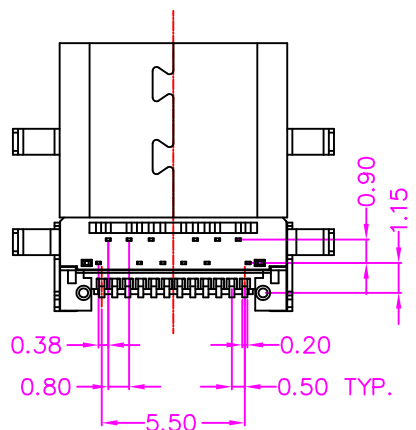
CONTACT PLATED OPTION

- 1: GOLD FLASH
- 3: 3u" GOLD
- 5: 5u" GOLD
- 6: 10u" GOLD
- 7: 15u" GOLD
- 9: 30u" GOLD



MATERIALS

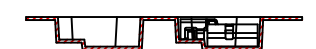
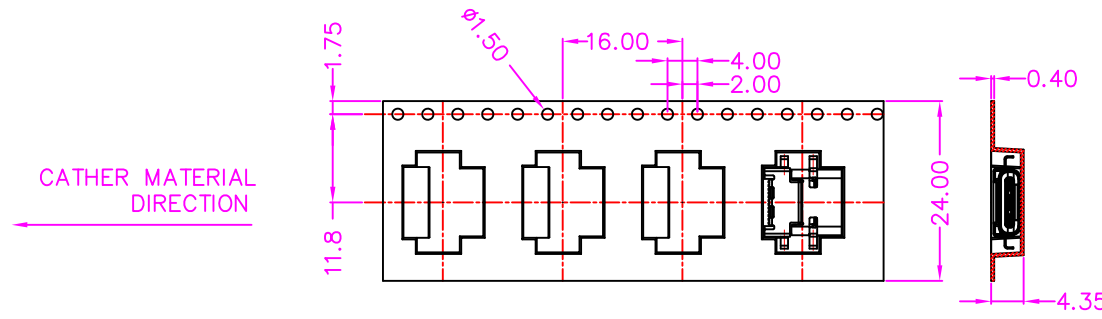
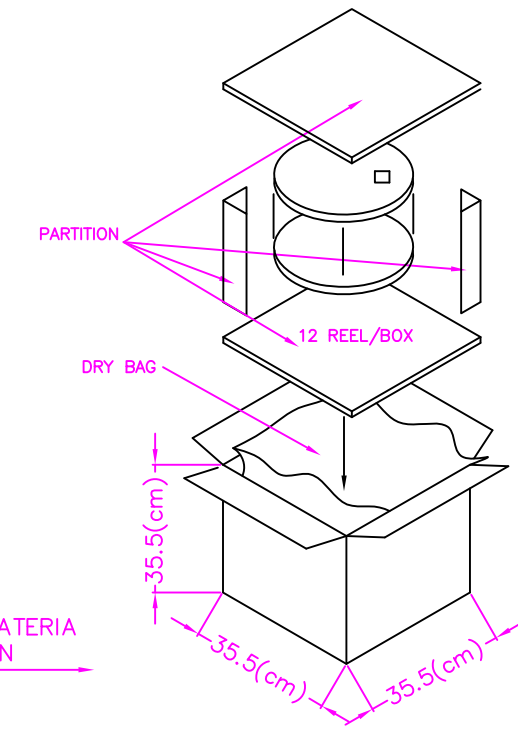
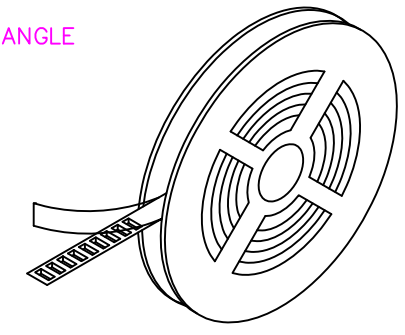
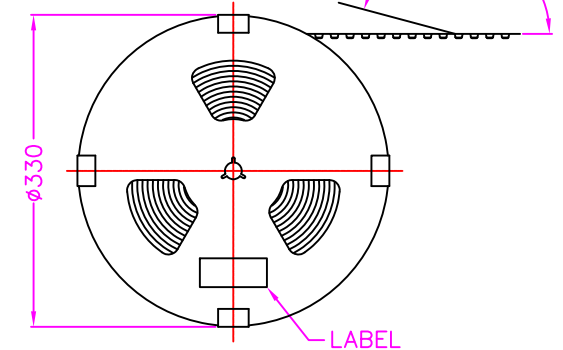
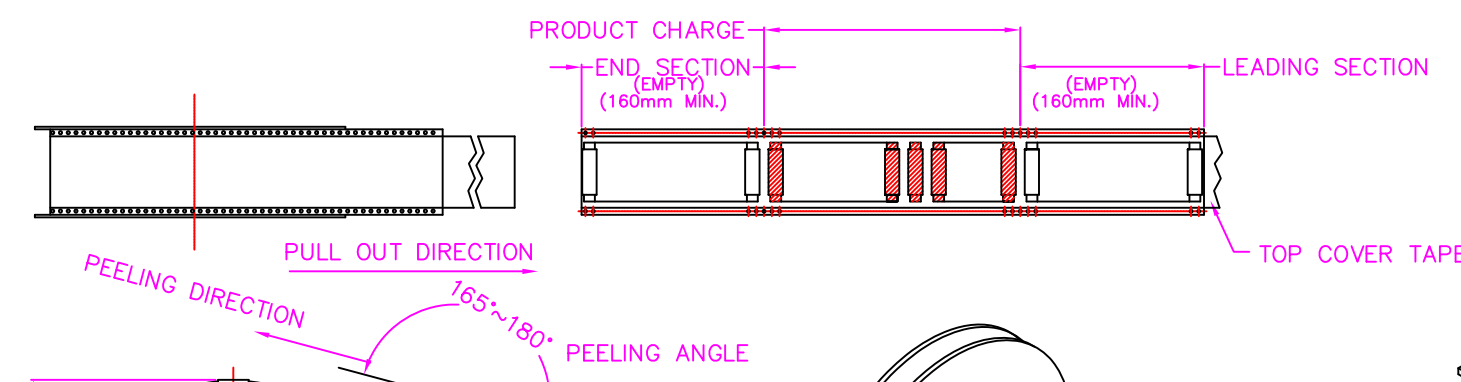
HOUSING: HI-TEMP. PLASTIC (UL 94V-0), BLACK  
 SHELL: SUS, NICKEL PLATING  
 TERMINAL: COPPER ALLOY, GOLD PLATED ON CONTACT AREA  
 TIN PLATING ON SOLDER TAIL



**Cyberconn Technology Co., Ltd.**  
 www.cyberconn.com.tw Tel:+886-3-4951314

TOLERANCES	USB CONNECTOR SERIES				
X.X ±0.3	TITLE USB C TYPE, PCB MOUNT, MID MOUNT TYPE				
X.XX ±0.2	R/A SMT, METAL SHIELD, FEMALE WITH POST				
X.XXX ±0.1	DRAWN BY	CHECKED BY	APPROVED BY		
Angle ±5°	<i>Tina</i>	<i>Lion</i>	<i>Benson</i>		
	UNIT	SCALE	SIZE	DRAW NO.	REV.
	10118	MM	NONE	A4	2USJD-001
					Sheet
					1/2

A	RELEASE	2015.3.2
REV.	DESCRIPTION	DATE



NOTE: 950PCS/REEL, 12REEL/CARTON, 11400PCS/CARTON

A	RELEASE	2015.3.2
REV.	DESCRIPTION	DATE

<b>Cyberconn Technology Co., Ltd.</b> www.cyberconn.com.tw Tel:+886-3-4951314						
TOLERANCES		TITLE USB CONNECTOR SERIES USB C TYPE, PCB MOUNT, MID MOUNT TYPE R/A SMT, METAL SHIELD, FEMALE WITH POST				
X.X ±0.3 X.XX ±0.2 X.XXX ±0.1 Angle ±5°		DRAWN BY		CHECKED BY		APPROVED BY
		Tina		Lion		Benson
UNIT	SCALE	SIZE	DRAW NO.	REV.	Sheet	
10118	MM	NONE	A4	2USJD-001	A	2/2