

MATERIALS

HOUSING: HI-TEMP PLASTIC (UL 94V-0)
 SHELL: SUS, NICKEL PLATING
 TERMINAL: COPPER ALLOY, GOLD PLATED ON CONTACT AREA
 TIN PLATING ON SOLDER TAIL

SPECIFICATION

CURRENT RATING: 1.5 AMP MAX
 DIELECTRIC WITHSTANDING: 500V AC FOR ONE MINUTE
 CONTACT RESISTANCE: 30m OHMS MAX
 INSULATION RESISTANCE: 1000M OHMS MIN AT DC 500V
 OPERATION TEMPERATURE: -40°C~+85°C

PART NUMBER:

2USEL - 0 9 * T - 1 2 1 *

SERIES: 2USEL
 NO. OF POS.: 09
 CONTACT PLATED OPTION: *
 HOUSING COLOR OPTION: T (Blank), 1 (Blue)
 TAPE REEL PACKAGE: 2
 TIN PLATING ON SOLDER TAIL: 1

- CONTACT PLATED OPTION
- 1: GOLD FLASH
 - 3: 3u" GOLD
 - 5: 5u" GOLD
 - 6: 10u" GOLD
 - 7: 15u" GOLD
 - 9: 30u" GOLD

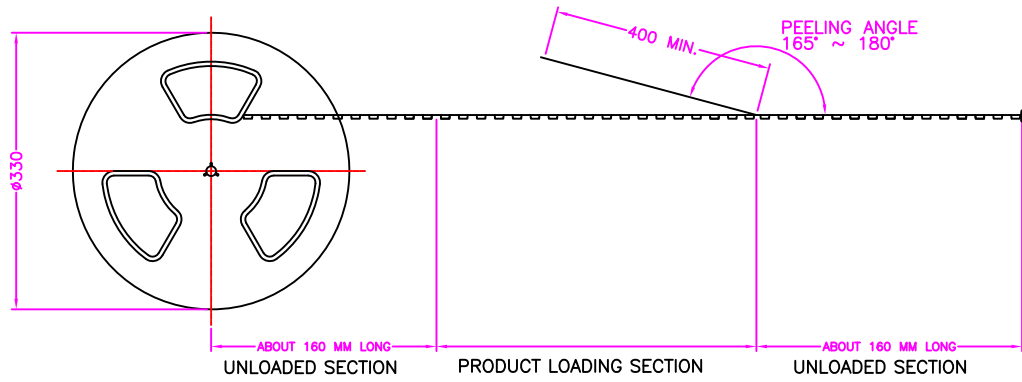
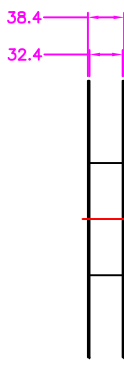
Pin NUMBER	SIGNAL NAME
1	VBUS
2	D-
3	D+
4	GND
5	StdA_SSRX-
6	StdA_SSRX+
7	GND_DRAIN
8	StdA_SSTX-
9	StdA_SSTX+
Shell	Shield

Cyberconn Technology Co., Ltd.
 www.cyberconn.com.tw Tel:+886-3-4951314

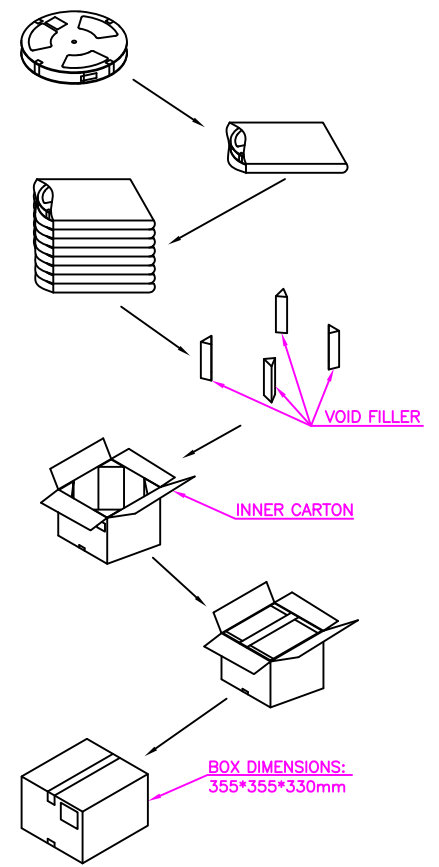
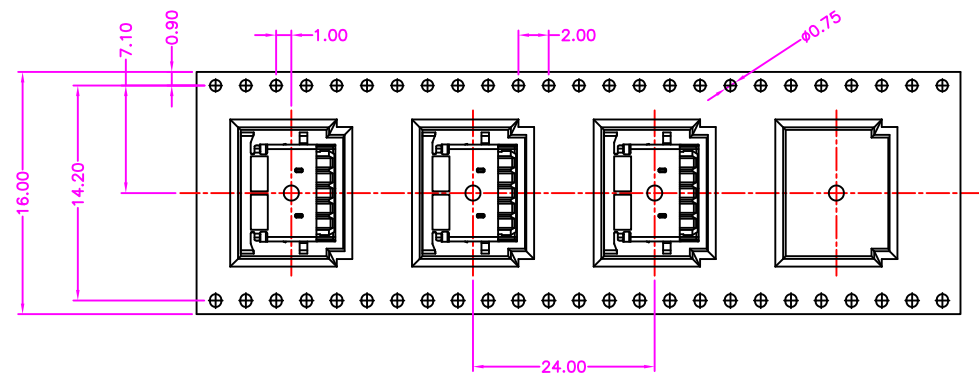
TOLERANCES	TITLE	USB CONNECTOR SERIES				
X.X ±0.3 X.XX ±0.2 X.XXX ±0.1 Angle ±5°		USB 3.0 A TYPE, PCB MID MOUNT, REVERSE TYPE, R/A, METAL SHIELD, FEMALE				
	DRAWN BY	CHECKED BY	APPROVED BY			
	<i>Tina</i>	<i>Lion</i>	<i>Benson</i>			
	UNIT	SCALE	SIZE	DRAW NO.	REV.	Sheet
	10196	MM	NONE	A4	2USEL-001	A 1/2

A	RELEASE	2016.1.13
REV.	DESCRIPTION	DATE

1 2 3 4 5 6 7 8



USER DIRECTION OF UNREELING →



NOTE: 400PCS/ REEL, 3200PCS/ 8 REEL/ CARTON

A	RELEASE	2016.1.13
REV.	DESCRIPTION	DATE

Cyberconn Technology Co., Ltd.
www.cyberconn.com.tw Tel: +886-3-4951314

TOLERANCES	TITLE USB 3.0 A TYPE, PCB MID MOUNT, REVERSE TYPE, R/A, METAL SHIELD, FEMALE				
X.X ±0.3	DRAWN BY		CHECKED BY		APPROVED BY
X.XX ±0.2	Tina		Lion		Benson
X.XXX ±0.1	UNIT	SCALE	SIZE	DRAW NO.	REV.
Angle ±5°	MM	NONE	A4	2USEL-001	A
	10196				Sheet 2/2

1 2 3 4 5 6 7 8