

PART NUMBER:
2USAD - 0 4 * T - 1 * 8 *

SERIES **NO. OF POS.** **"X" LENGTH OPTION**
 BLANK: 10.0mm
 B: 11.0mm

CONTACT PLATED OPTION **PACKAGE OPTION**

1: GOLD FLASH 1: TRAY
 3: 3u" GOLD 2: TAPE REEL (WITH MYLAR)
 5: 5u" GOLD 7: TAPE REEL (WITHOUT MYLAR)

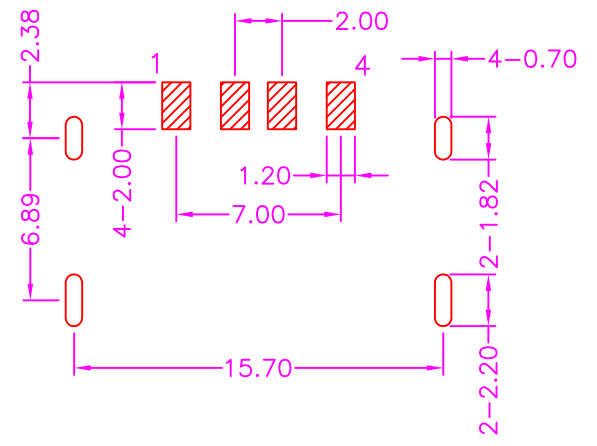
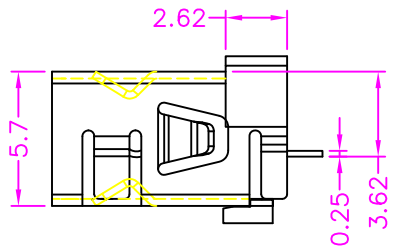
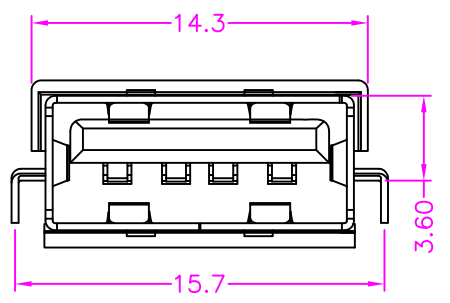
TIN PLATING ON SOLDER TAIL

MATERIALS

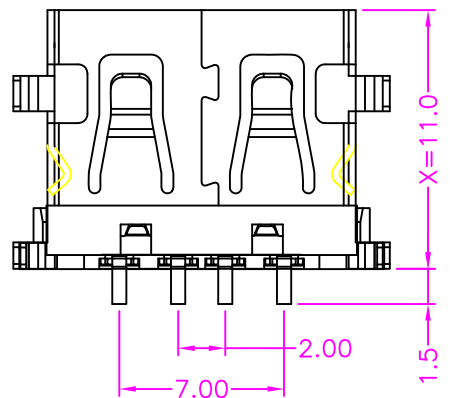
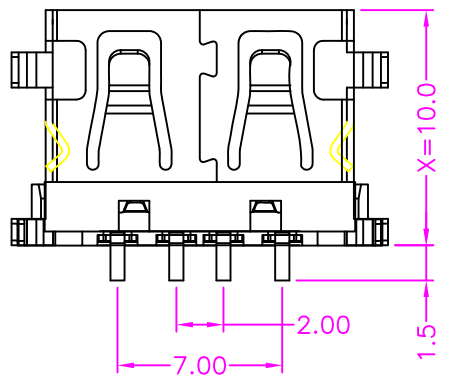
HOUSING: HI-TEMP. PLASTIC (UL 94V-0)
 SHELL: COPPER ALLOY, NICKEL PLATING
 TERMINAL: COPPER ALLOY, GOLD PLATED ON CONTACT AREA
 TIN PLATING ON SOLDER TAIL

SPECIFICATION

CURRENT RATING: 1 AMP MAX
 DIELECTRIC WITHSTANDING: 500V AC FOR ONE MINUTE
 CONTACT RESISTANCE: 30m OHMS MAX
 INSULATION RESISTANCE: 1000M OHMS MIN AT DC 500V
 OPERATION TEMPERATURE: -25°C~+85°C



P.C.B LAYOUT
 TOP VIEW ±0.05



B	MODIFY DRAW.	2015.12.2
A	RELEASE	2014.12.12
REV.	DESCRIPTION	DATE

Cyberconn Technology Co., Ltd.
 www.cyberconn.com.tw Tel:+886-3-4951314

TOLERANCES	TITLE	USB CONNECTOR SERIES				
X.X ±0.3 X.XX ±0.2 X.XXX ±0.1 Angle ±5°		USB A TYPE, PCB MID MOUNT, SMT METAL SHIELD, FEMALE				
	DRAWN BY	CHECKED BY	APPROVED BY			
	<i>Tina</i>	<i>Lion</i>	<i>Benson</i>			
	UNIT	SCALE	SIZE	DRAW NO.	REV.	Sheet
	10134	MM	NONE	A4	2USAD-008	B 1/3

1 2 3 4 5 6 7 8

F

F

E

E

D

D

C

C

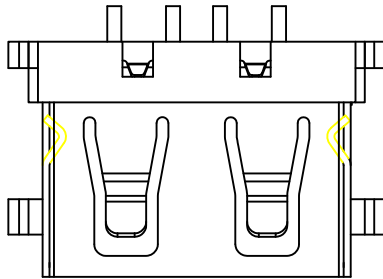
B

B

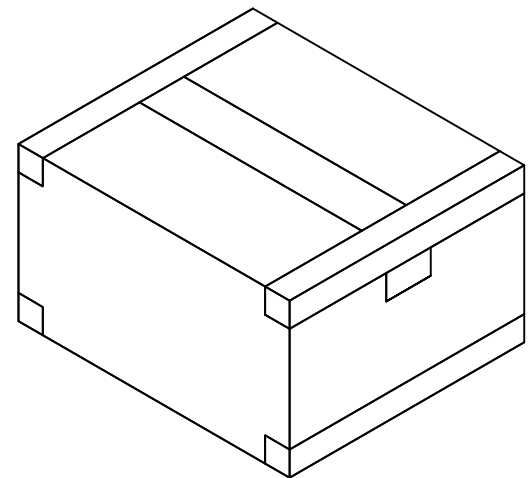
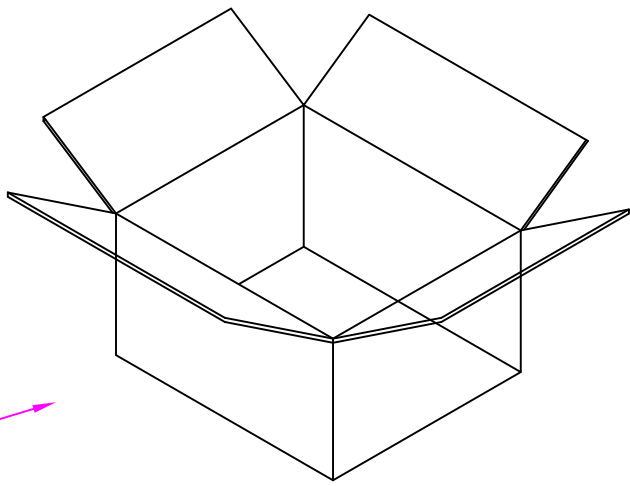
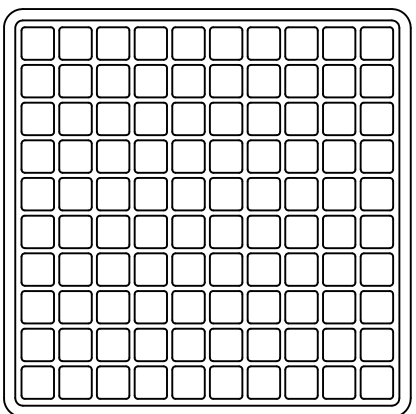
A

A


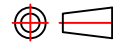
1 2 3 4 5 6 7 8

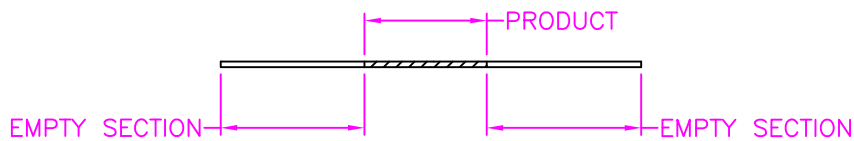
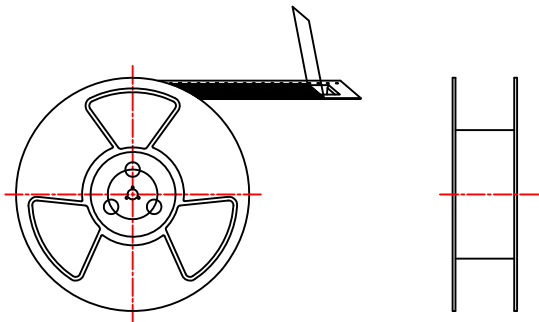
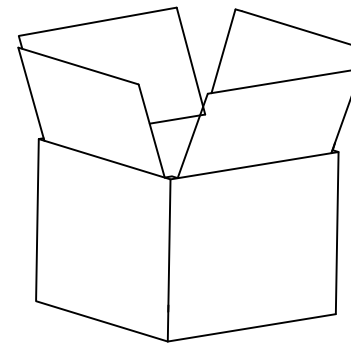
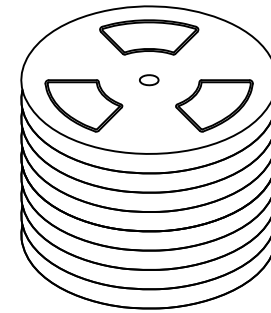
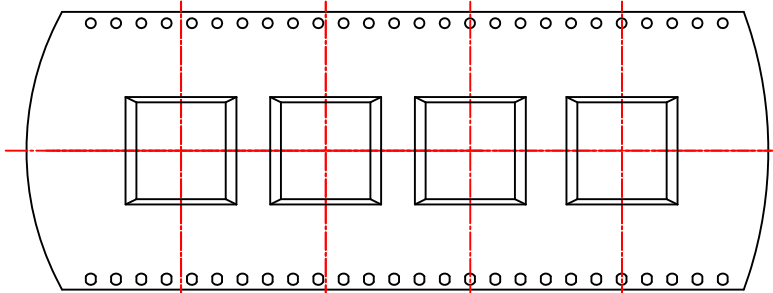


NOTE: 100 PCS/ TRAY
 50 TRAY/ CARTON
 5000 PCS/ CARTON



B	MODIFY DRAW.	2015.12.2
A	RELEASE	2014.12.12
REV.	DESCRIPTION	DATE

 Cyberconn Technology Co., Ltd. <small>www.cyberconn.com.tw Tel:+886-3-4951314</small>						
TOLERANCES		TITLE USB CONNECTOR SERIES USB A TYPE, PCB MID MOUNT, SMT METAL SHIELD, FEMALE				
X.X ±0.3 X.XX ±0.2 X.XXX ±0.1 Angle ±5°		DRAWN BY		CHECKED BY		APPROVED BY
		Tina		Lion		Benson
UNIT	SCALE	SIZE	DRAW NO.	REV.	Sheet	
10134	MM	NONE	A4	2USAD-008	B	2/3



NOTE: 300 PCS/ REEL
 8 REEL/ CARTON
 2400 PCS/ CARTON

B	MODIFY DRAW.	2015.12.2
A	RELEASE	2014.12.12
REV.	DESCRIPTION	DATE

Cyberconn Technology Co., Ltd. <small>www.cyberconn.com.tw Tel:+886-3-4951314</small>						
TOLERANCES		TITLE USB CONNECTOR SERIES USB A TYPE, PCB MID MOUNT, SMT METAL SHIELD, FEMALE				
X.X ±0.3 X.XX ±0.2 X.XXX ±0.1 Angle ±5°		DRAWN BY		CHECKED BY		APPROVED BY
		Tina		Lion		Benson
10134	UNIT	SCALE	SIZE	DRAW NO.	REV.	Sheet
	MM	NONE	A4	2USAD-008	B	3/3