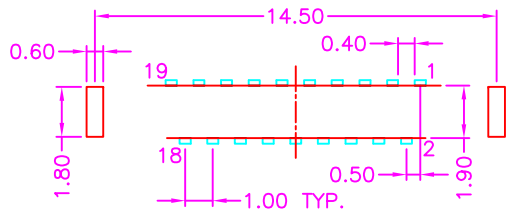
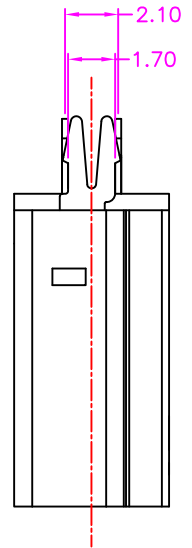
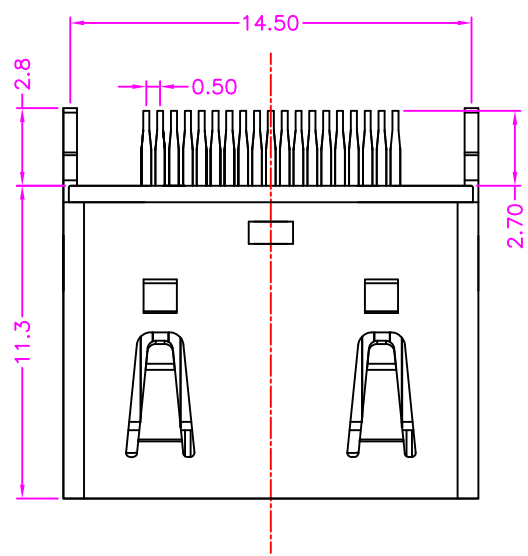


MATERIALS

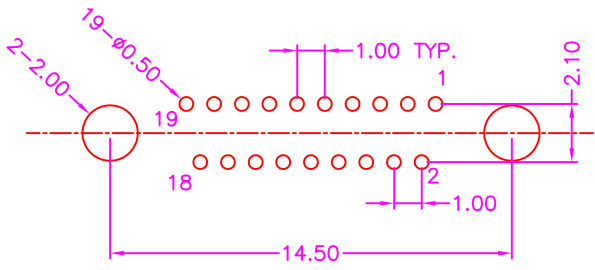
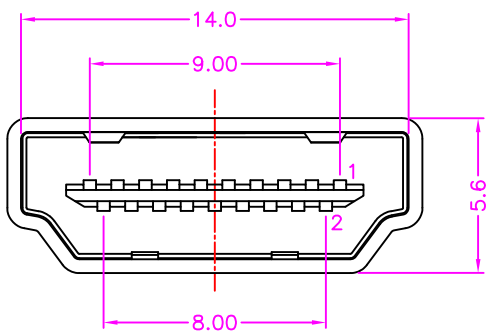
HOUSING: HI-TEMP. PLASTIC (UL 94V-0), BLACK
 SHELL: COPPER ALLOY, NICKEL PLATING
 TERMINAL: COPPER ALLOY, GOLD PLATED ON CONTACT AREA
 TIN PLATING ON SOLDER TAIL

SPECIFICATION

CURRENT RATING: 0.5 AMP MAX
 DIELECTRIC WITHSTANDING: 500V AC FOR ONE MINUTE
 CONTACT RESISTANCE: 30m OHMS MAX
 INSULATION RESISTANCE: 100M OHMS MIN AT DC 500V
 OPERATION TEMPERATURE: -20°C~+85°C



STRADDLE TYPE P.C.B LAYOUT TOP VIEW ±0.05



P.C.B LAYOUT TOP VIEW ±0.05

PART NUMBER:

2HDAA - 1 9 * T - 1 1 1



CONTACT PLATED OPTION

- 1: GOLD FLASH
- 3: 3u" GOLD
- 5: 5u" GOLD
- 7: 15u" GOLD
- 9: 30u" GOLD

Cyberconn Technology Co., Ltd. <small>www.cyberconn.com.tw Tel:+886-3-4951314</small>						
TOLERANCES		TITLE HDMI CONNECTOR SERIES				
X.X ±0.3		DRAWN BY <i>Tina</i> CHECKED BY <i>Lion</i> APPROVED BY <i>Benson</i>				
X.XX ±0.2						
X.XXX ±0.1						
Angle ±5°		UNIT	SCALE	SIZE	DRAW NO.	REV.
		10206	MM	NONE	A4	2HDAA-001
Sheet		A		1/1		

A	RELEASE	2015.8.28
REV.	DESCRIPTION	DATE