

MATERIALS

HOUSING: HI-TEMP. PLASTIC (UL 94V-0)
 SHELL: STAINLESS STEEL
 SOLDER PAD: STAINLESS STEEL, GOLD PLATING
 TERMINAL: COPPER ALLOY, GOLD PLATED

SPECIFICATION

CURRENT RATING: 0.5 AMP MAX
 DIELECTRIC WITHSTANDING: 500V AC FOR ONE MINUTE
 CONTACT RESISTANCE: 100m OHMS MAX
 INSULATION RESISTANCE: 1000M OHMS MIN AT DC 500V
 OPERATION TEMPERATURE: -20°C~+85°C

PART NUMBER:
 4MCQD - 0 6 * - 1 2 2

SERIES NO. OF POS. TAPE REEL PACKAGE

CONTACT PLATED OPTION
 1: GOLD FLASH
 3: 3u" GOLD
 5: 5u" GOLD
 6: 10u" GOLD
 7: 15u" GOLD
 9: 30u" GOLD

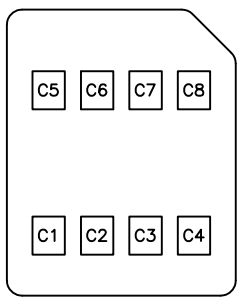
A	RELEASE	2015.3.25
REV.	DESCRIPTION	DATE

Cyberconn Technology Co., Ltd.
 www.cyberconn.com.tw Tel:+886-3-4951314

TOLERANCES	MEMORY CARD SERIES				
X.X ±0.3	TITLE MICRO SIM CARD, 6PIN, PCB MOUNT, SMT, METAL SHIELD, PUSH PUSH TYPE, FEMALE, H=1.90mm				
X.XX ±0.2	DRAWN BY		CHECKED BY		APPROVED BY
X.XXX ±0.1	Tina		Lion		Benson
Angle ±5°	UNIT	SCALE	SIZE	DRAW NO.	REV. Sheet
	10001	MM	NONE	A4 4MCQD-002	A 1/4

SIM Card Pin Assignment

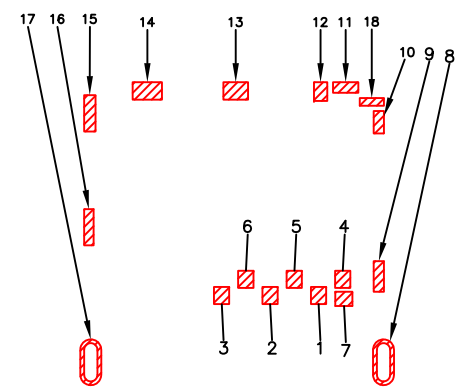
No.	PIN Name
C1	Vcc
C2	RST
C3	CLK
C4	Reserved
C5	GND
C6	Vpp
C7	I/O
C8	Reserved



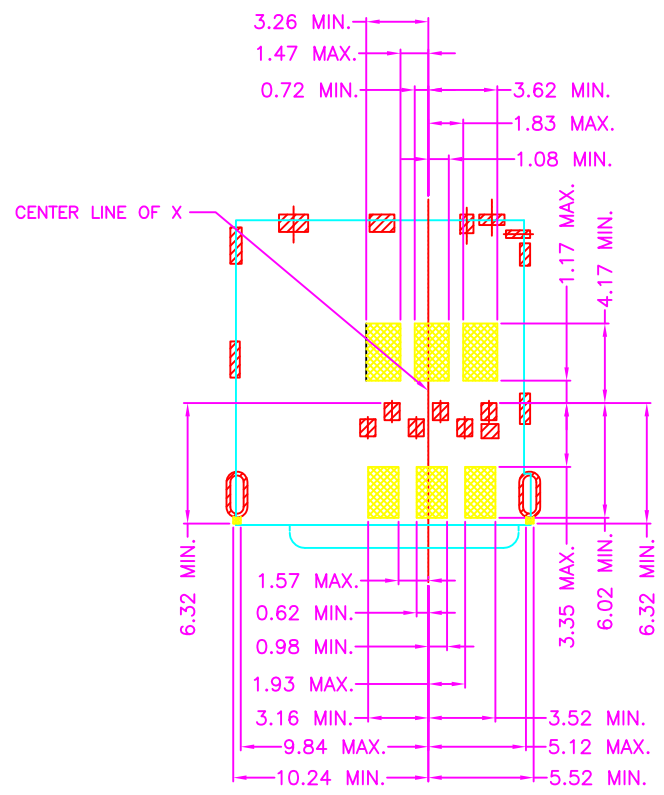
SIM CARD PAD LAYOUT

Connector Pin Assignment

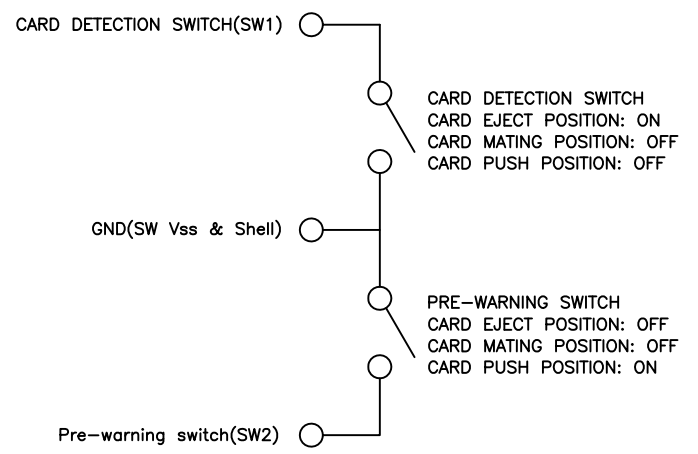
No.	PIN Name	Description
1	C1	Vcc of SIM
2	C2	RST of SIM
3	C3	CLK of SIM
4	C5	GND of SIM
5	C6	Vpp of SIM
6	C7	I/O of SIM
7	SW1	Card detection switch
8 ~ 17	GND	Shell ground
18	SW2	Pre-warning switch



RECOMMEND PCB LAYOUT
VIEWED FROM CONNECTOR MOUNT SIDE



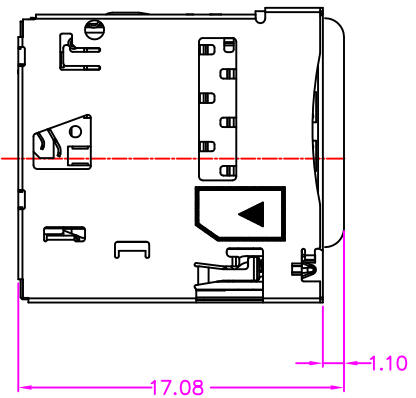
KEEP-OUT AREA



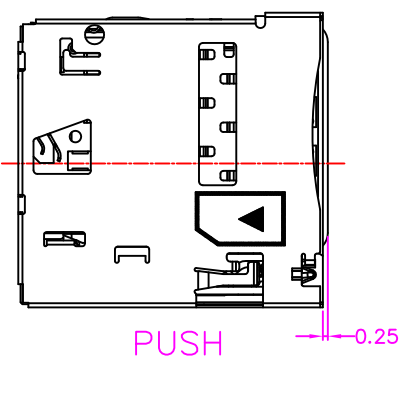
CIRCUIT DRAWING OF SWITCH

Cyberconn Technology Co., Ltd. www.cyberconn.com.tw Tel:+886-3-4951314						
TOLERANCES X.X ±0.3 X.XX ±0.2 X.XXX±0.1 Angle ±5°		MEMORY CARD SERIES MICRO SIM CARD, 6PIN, PCB MOUNT, SMT, METAL SHIELD, PUSH PUSH TYPE, FEMALE, H=1.90mm				
TITLE		DRAWN BY <i>Tina</i>		CHECKED BY <i>Lion</i>		APPROVED BY <i>Benson</i>
		UNIT MM	SCALE NONE	SIZE A4	DRAW NO. 4MCQD-002	REV. A
10001		2/4				

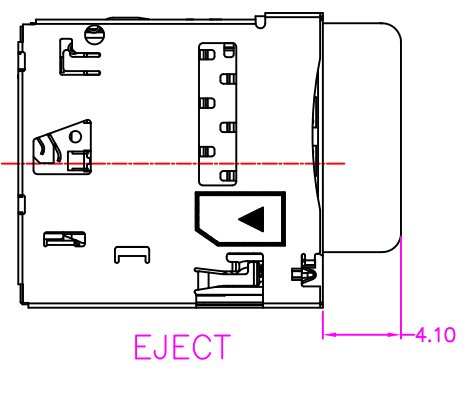
A	RELEASE	2015.3.25
REV.	DESCRIPTION	DATE



MATING

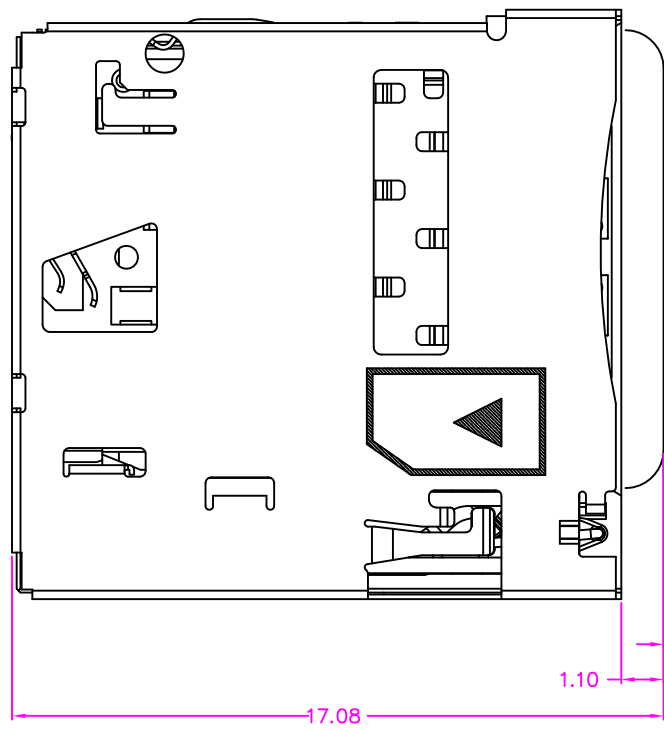


PUSH



EJECT

THERE IS NO MICRO SIM LOCK IN THIS CONNECTOR. CARD STOPPER AS SHOWN BELOW MUST BE NECESSARY.



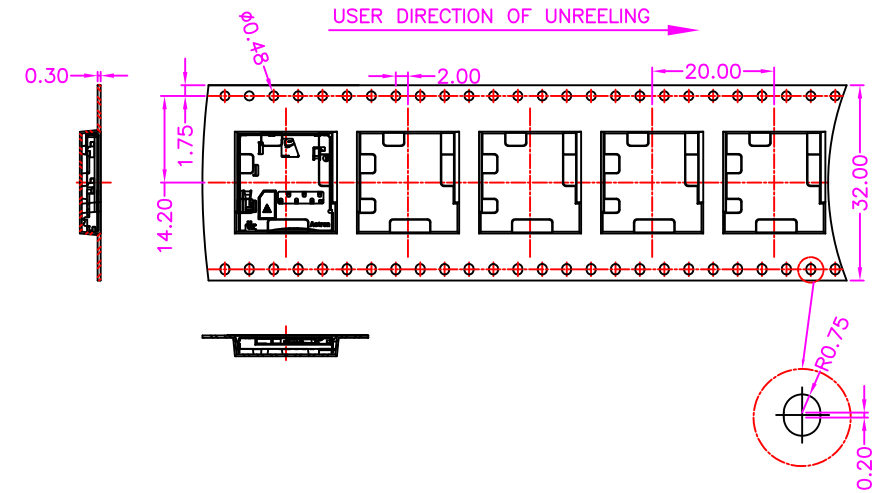
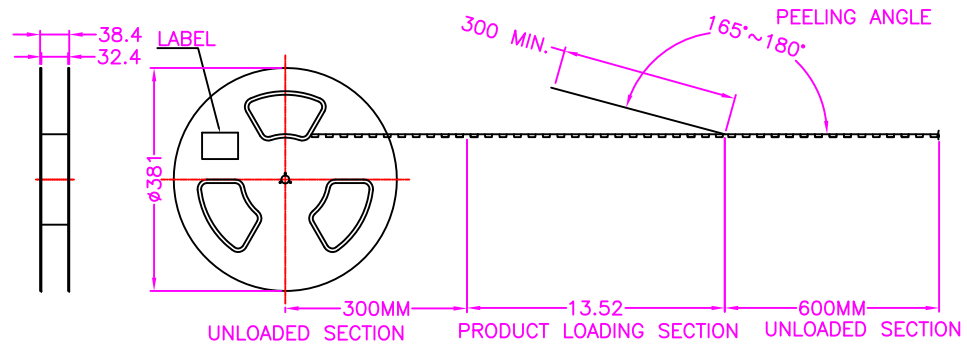
SIM CARD STOPPER

0.90 STOPPER POSITION

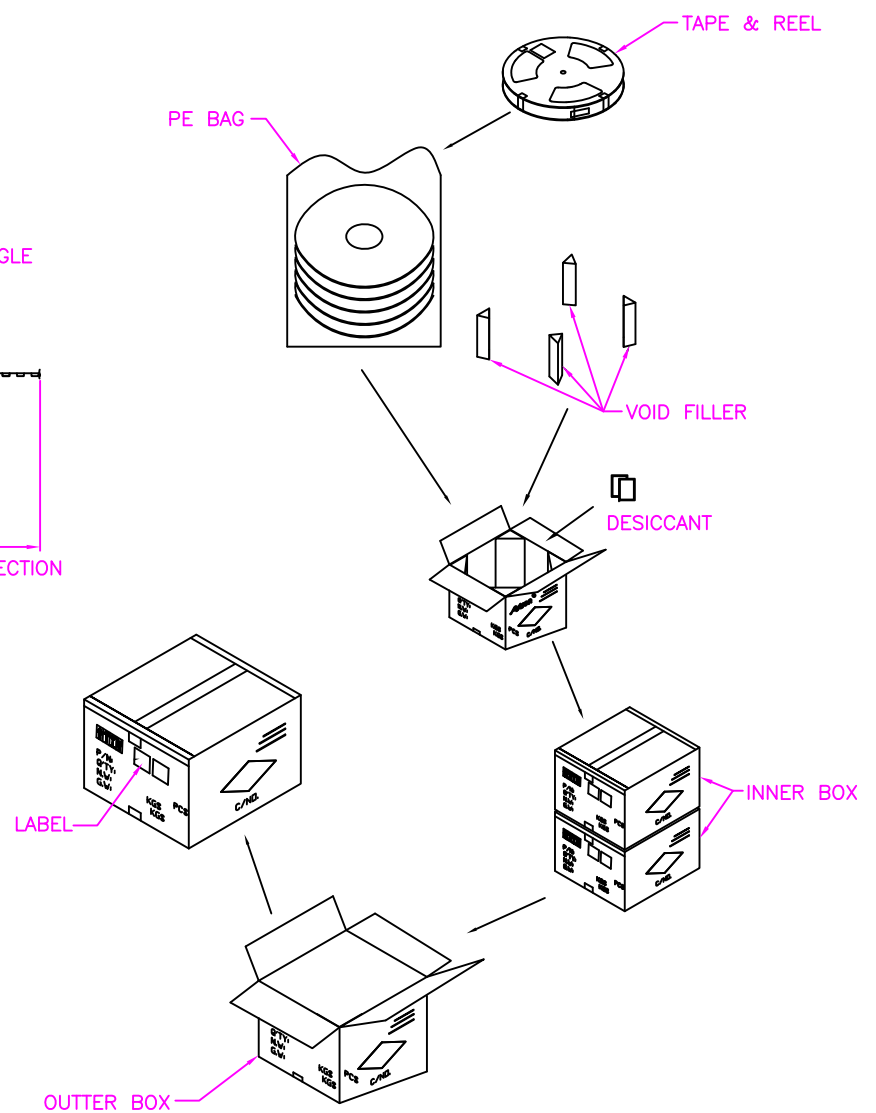
A	RELEASE	2015.3.25
REV.	DESCRIPTION	DATE

Cyberconn Technology Co., Ltd.
 www.cyberconn.com.tw Tel:+886-3-4951314

TOLERANCES	MEMORY CARD SERIES					
X.X ±0.3	TITLE	MICRO SIM CARD, 6PIN, PCB MOUNT, SMT, METAL SHIELD, PUSH PUSH TYPE, FEMALE, H=1.90mm				
X.XX ±0.2	DRAWN BY	CHECKED BY		APPROVED BY		
X.XXX ±0.1	<i>Tina</i>	<i>Lion</i>		<i>Benson</i>		
Angle ±5°	UNIT	SCALE	SIZE	DRAW NO.	REV.	Sheet
	10001	MM	NONE	A4	4MCQD-002	A 3/4



NOTE: 1200 PCS/ TAPE REEL
 4 TAPE REEL/ INNER BOX
 8 TAPE REEL/ OUTER BOX
 9600 PCS/ OUTER BOX



A	RELEASE	2015.3.25
REV.	DESCRIPTION	DATE

Cyberconn Technology Co., Ltd. www.cyberconn.com.tw Tel:+886-3-4951314						
TOLERANCES		MEMORY CARD SERIES				
X.X ±0.3		TITLE MICRO SIM CARD, 6PIN, PCB MOUNT, SMT, METAL SHIELD, PUSH PUSH TYPE, FEMALE, H=1.90mm				
X.XX ±0.2						
X.XXX ±0.1 Angle ±5°						
		DRAWN BY		CHECKED BY		APPROVED BY
		Tina		Lion		Benson
UNIT	SCALE	SIZE	DRAW NO.	REV.	Sheet	
10001	MM	NONE	A4	4MCQD-002	A	4/4