

PART NUMBER:

4MCKD - 1 0 \* - 1 2 D

SERIES

NO. OF POS.

TAPE REEL PACKAGE

CONTACT PLATED OPTION

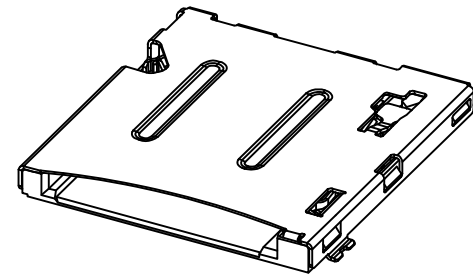
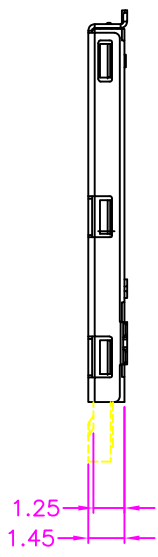
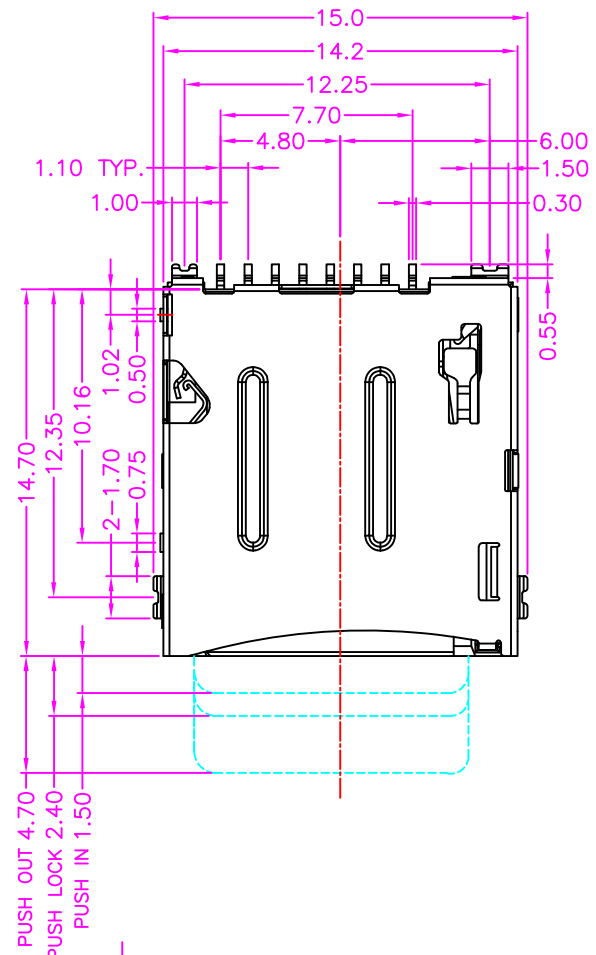
- 1: GOLD FLASH
- 3: 3u" GOLD
- 5: 5u" GOLD
- 6: 10u" GOLD
- 7: 15u" GOLD
- 9: 30u" GOLD

MATERIALS

HOUSING: HI-TEMP. PLASTIC (UL 94V-0), BLACK  
 SHELL: SUS  
 SOLDER PAD: SUS, GOLD PLATING  
 TERMINAL: COPPER ALLOY, GOLD PLATED

SPECIFICATION

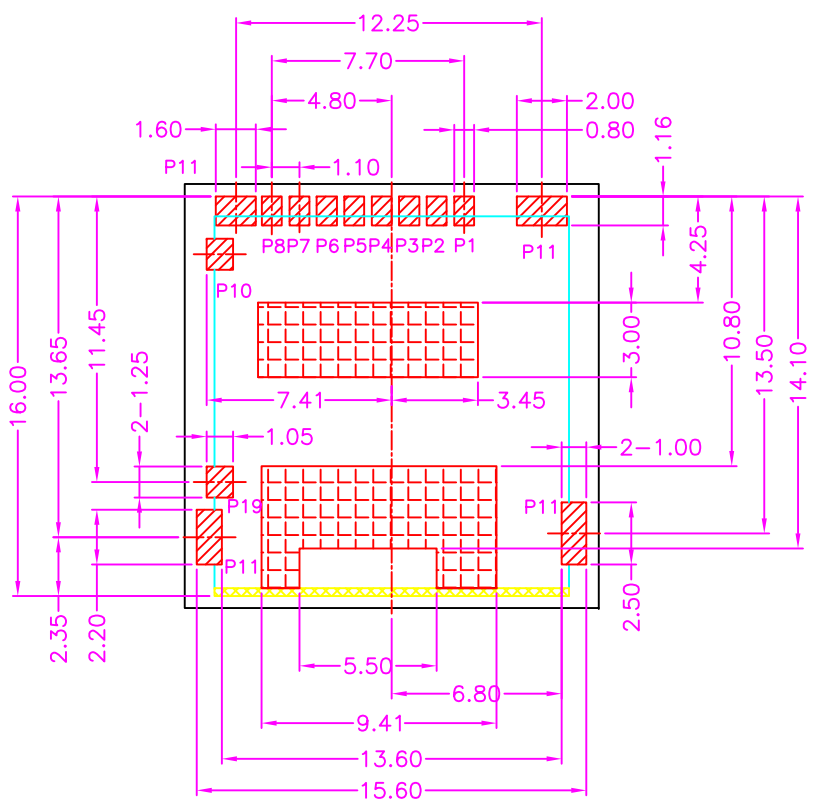
CURRENT RATING: 0.5 AMP MAX  
 DIELECTRIC WITHSTANDING: 500V AC FOR ONE MINUTE  
 CONTACT RESISTANCE: 100m OHMS MAX  
 INSULATION RESISTANCE: 1000M OHMS MIN AT DC 500V  
 OPERATION TEMPERATURE: -25°C~+85°C



**Cyberconn Technology Co., Ltd.**  
 www.cyberconn.com.tw Tel:+886-3-4951314

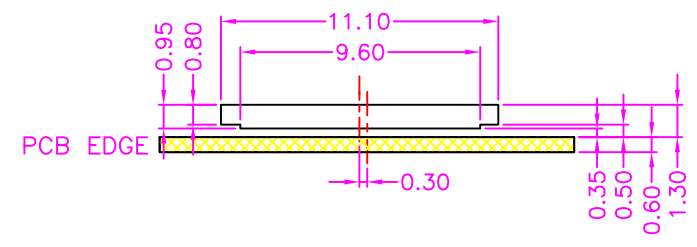
|            |  |  |       |            |           |             |
|------------|--|--|-------|------------|-----------|-------------|
| TOLERANCES |  | MEMORY CARD SERIES                           |       |            |           |             |
| X.X ±0.3   |  | TITLE MICRO SD, PCB MOUNT, SMT, METAL SHIELD |       |            |           |             |
| X.XX ±0.2  |  | PUSH-PUSH TYPE, FEMALE, H=1.50mm             |       |            |           |             |
| X.XXX ±0.1 |  | DRAWN BY                                     |       | CHECKED BY |           | APPROVED BY |
| Angle ±5°  |  | Tina   |       | Lion       |           | Benson      |
|            |  | UNIT   | SCALE | SIZE       | DRAW NO.  | REV. Sheet  |
| 10184      |  | MM   | NONE  | A4         | 4MCKD-013 | A 1/3       |

|      |             |           |
|------|-------------|-----------|
| A    | RELEASE     | 2015.7.17 |
| REV. | DESCRIPTION | DATE      |



P.C.B LAYOUT  
TOP VIEW ±0.05

PATTERN PROHIBITED AREA  
 GND AREA  
 TIN AREA



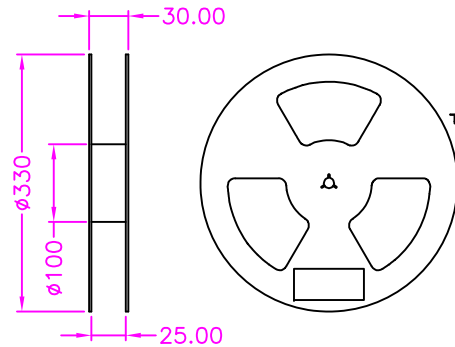
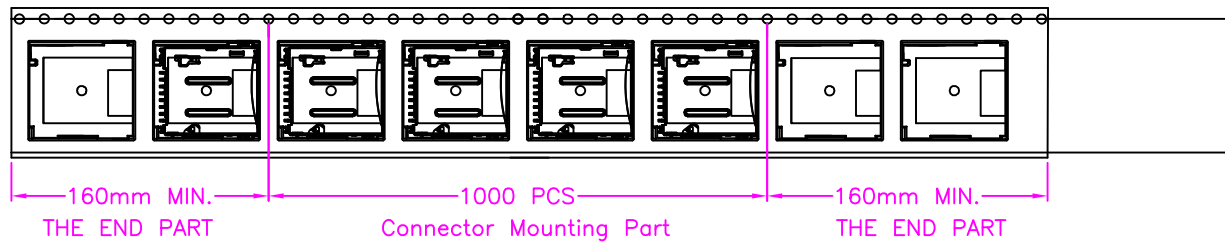
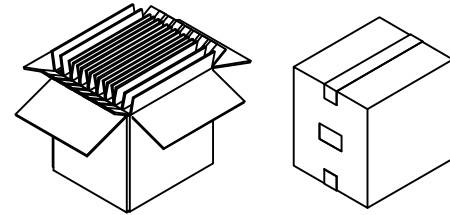
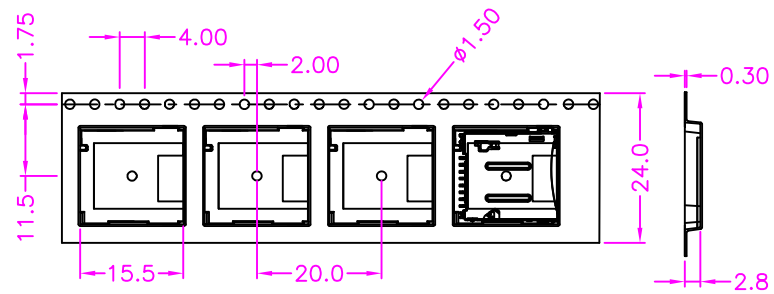
RECOMMEND CARD SLOT

| PIN NO. | NAME    |
|---------|---------|
| 01      | DAT2    |
| 02      | CD/DAT3 |
| 03      | CMD     |
| 04      | VDD     |
| 05      | CLK     |
| 06      | VSS     |
| 07      | DAT0    |
| 08      | DAT1    |
| 09      | C/D     |
| 10      | GND     |
| 11      | GND     |


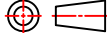
|      |             |           |
|------|-------------|-----------|
| A    | RELEASE     | 2015.7.17 |
| REV. | DESCRIPTION | DATE      |

**Cyberconn Technology Co., Ltd.**  
 www.cyberconn.com.tw Tel:+886-3-4951314

|            |  |             |               |           |      |
|------------|--|-------------|---------------|-----------|------|
| TOLERANCES | MEMORY CARD SERIES                           |             |               |           |      |
| X.X ±0.3   | TITLE MICRO SD, PCB MOUNT, SMT, METAL SHIELD |             |               |           |      |
| X.XX ±0.2  | PUSH-PUSH TYPE, FEMALE, H=1.50mm             |             |               |           |      |
| X.XXX ±0.1 | DRAWN BY                                     | CHECKED BY  | APPROVED BY   |           |      |
| Angle ±5°  | <i>Tina</i>                                  | <i>Lion</i> | <i>Benson</i> |           |      |
|            | UNIT   | SCALE       | SIZE          | DRAW NO.  | REV. |
|            | MM   | NONE        | A4            | 4MCKD-013 | A    |
|            |  |             |               | Sheet     | 2/3  |



NOTE: 1000PCS/REEL, 6000PCS/6 REEL/CARTON

|  |       |  |          |            |       |             |
|--|-------|--|----------|------------|-------|-------------|
|  <b>Cyberconn Technology Co., Ltd.</b><br>www.cyberconn.com.tw Tel:+886-3-4951314 |       |  |          |            |       |             |
| TOLERANCES   |       | TITLE MEMORY CARD SERIES<br>MICRO SD, PCB MOUNT, SMT, METAL SHIELD<br>PUSH-PUSH TYPE, FEMALE, H=1.50mm |          |            |       |             |
| X.X ±0.3<br>X.XX ±0.2<br>X.XXX ±0.1<br>Angle ±5°   |       | DRAWN BY   |          | CHECKED BY |       | APPROVED BY |
|   |       | Tina   |          | Lion       |       | Benson      |
| UNIT   | SCALE | SIZE   | DRAW NO. | REV.       | Sheet |             |
| 10184  | MM    | NONE   | A4       | 4MCKD-013  | A     | 3/3         |

|      |             |           |
|------|-------------|-----------|
| A    | RELEASE     | 2015.7.17 |
| REV. | DESCRIPTION | DATE      |