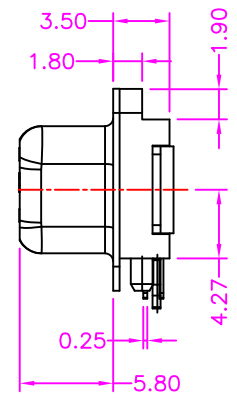


#4-40UNC



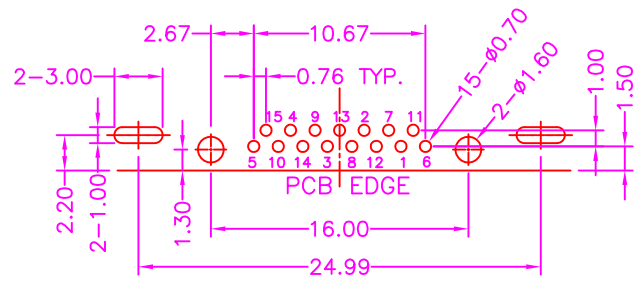
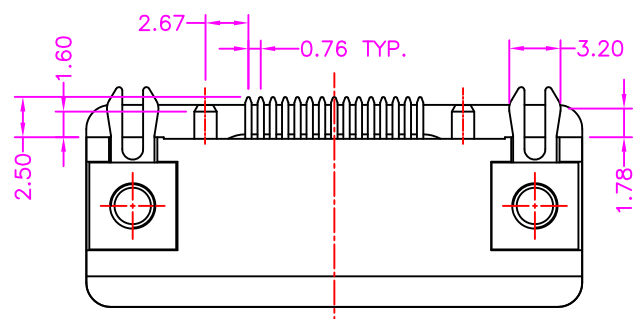
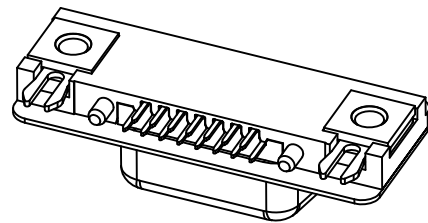
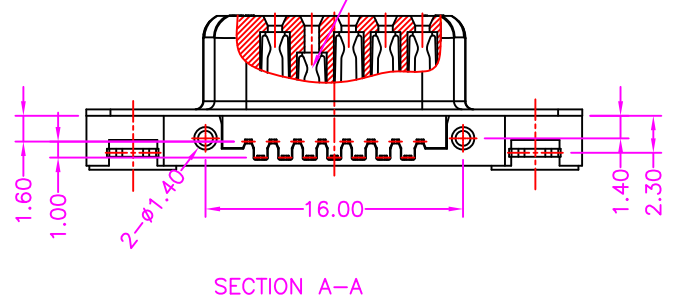
PART NUMBER:
2DBLA - 1 5 * T * - 1 1 4 *

SERIES: 2DBLA
 NO. OF POS.: 1 5
 CONTACT PLATED OPTION: T *
 PIN #9 OPTION: 1 1 4 *
 TRAY PACKAGE: *
 SCREW OPTION: 1: RIVETED & SCREW LOCK, 2: RIVETED & WITHOUT SCREW, 3: RIVETED & ADD. SCREW
 TIN PLATING ON SOLDER TAIL

BLANK: NORMAL(HOUSING: BLACK)
 S: SHORT(HOUSING: BLUE)

MATERIALS
 HOUSING: HI-TEMP. PLASTIC (UL 94V-0)
 SHELL: SPCC, NICKEL PLATING
 BOARDLOCK: COPPER ALLOY, TIN PLATING
 SCREW: SPCC, NICKEL PLATING
 TERMINAL: COPPER ALLOY, GOLD PLATED ON CONTACT AREA
 TIN PLATING ON SOLDER TAIL

SPECIFICATION
 CURRENT RATING: 5 AMP MAX
 DIELECTRIC WITHSTANDING: 1000V AC FOR ONE MINUTE
 CONTACT RESISTANCE: 30m OHMS MAX
 INSULATION RESISTANCE: 1000M OHMS MIN AT DC 500V
 OPERATION TEMPERATURE: -55°C~+105°C

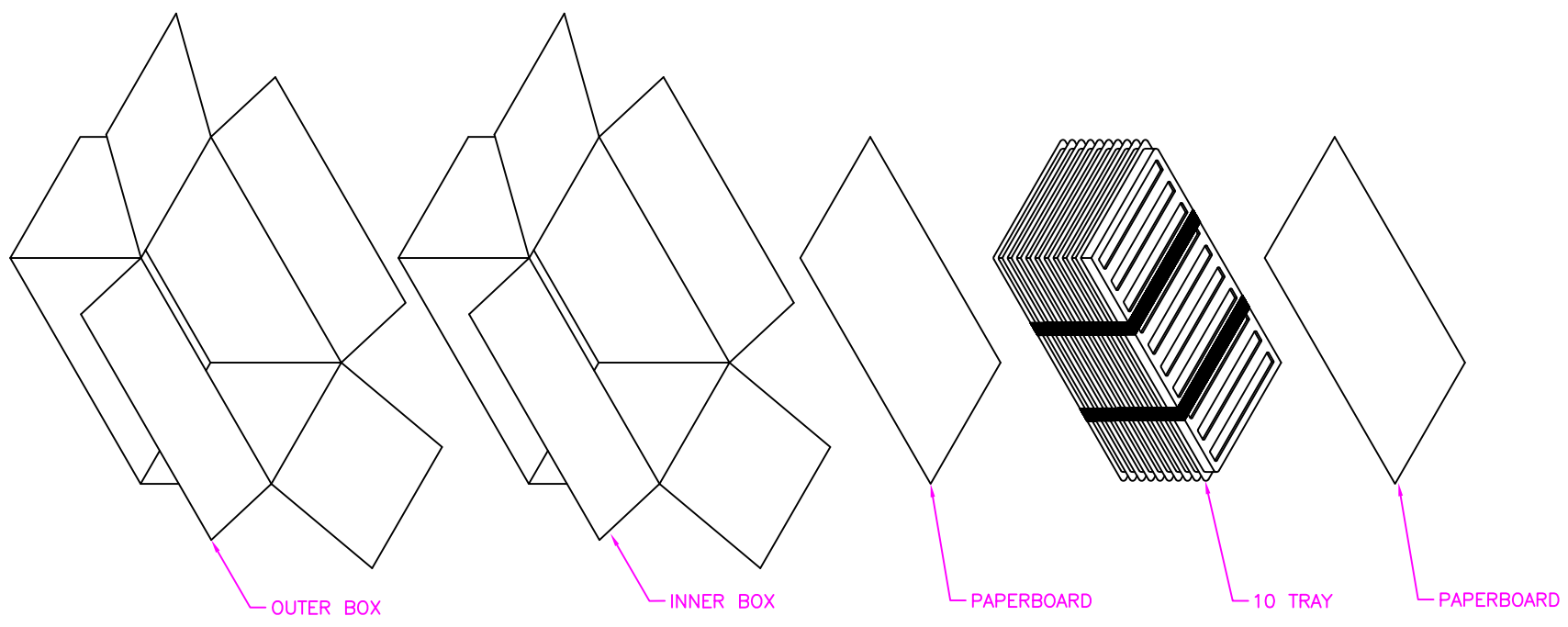


P.C.B LAYOUT
 TOP VIEW ±0.05

A	RELEASE	2014.10.21
REV.	DESCRIPTION	DATE


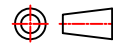
Cyberconn Technology Co., Ltd.
 www.cyberconn.com.tw Tel:+886-3-4951314

TOLERANCES	D-SUB CONNECTOR SERIES				
X.X ±0.3	TITLE HIGH DENSITY SLIM D-SUB, PCB MOUNT, R/A METAL SHIELD, FEMALE, WITH BOARDLOCK				
X.XX ±0.2	DRAWN BY		CHECKED BY		APPROVED BY
X.XXX ±0.1	Tina		Lion		Benson
Angle ±5°	UNIT	SCALE	SIZE	DRAW NO.	REV. Sheet
	10124	MM	NONE	A4 2DBLA-004	A 1/2



NOTE: 100PCS/TRAY, 10TRAY/1000PCS/BOX

A	RELEASE	2014.10.21
REV.	DESCRIPTION	DATE

 Cyberconn Technology Co., Ltd. <small>www.cyberconn.com.tw Tel:+886-3-4951314</small>						
TOLERANCES		D-SUB CONNECTOR SERIES				
X.X ±0.3		TITLE HIGH DENSITY SLIM D-SUB, PCB MOUNT, R/A METAL SHIELD, FEMALE, WITH BOARDLOCK				
X.XX ±0.2						
X.XXX±0.1						
Angle ±5°						
		DRAWN BY		CHECKED BY		APPROVED BY
		<i>Tina</i>		<i>Lion</i>		<i>Benson</i>
UNIT	SCALE	SIZE	DRAW NO.	REV.	Sheet	
10124	MM	NONE	A4	2DBLA-004	A	2/2