

MATERIALS

HOUSING: NYLON 6T (UL 94V-0)
 CAP: NYLON 6T (UL 94V-0), BLUE
 SHELL: SPCC, NICKEL PLATING
 BOARD LOCK: SPCC, TIN PLATING
 TERMINAL: COPPER ALLOY, GOLD PLATED ON CONTACT AREA
 TIN PLATING ON SOLDER TAIL

SPECIFICATION

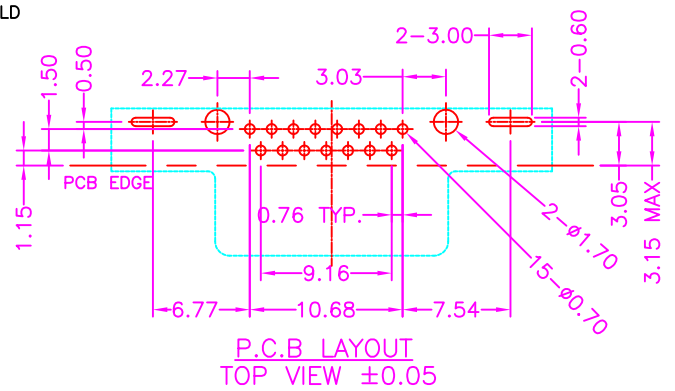
CURRENT RATING: 5 AMP MAX
 DIELECTRIC WITHSTANDING: 1000V AC FOR ONE MINUTE
 CONTACT RESISTANCE: 30m OHMS MAX
 INSULATION RESISTANCE: 1000M OHMS MIN AT DC 500V
 OPERATION TEMPERATURE: -55°C~+105°C

PART NUMBER:

2DBLB - 1 5 * T - 1 1 2

SERIES
 NO. OF POS.
 CONTACT PLATED OPTION
 TIN PLATING ON SOLDER TAIL
 TRAY PACKAGE

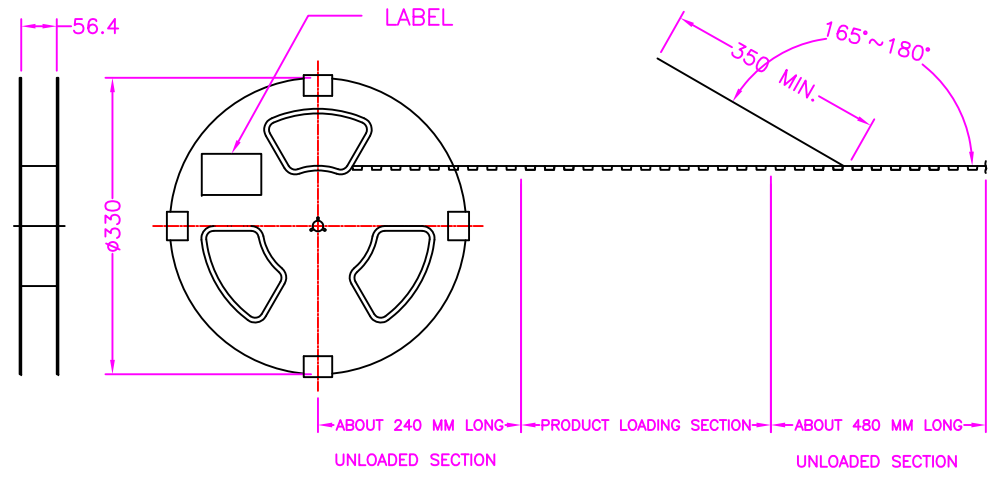
- 1: GOLD FLASH
- 3: 3u" GOLD
- 5: 5u" GOLD
- 6: 10u" GOLD
- 7: 15u" GOLD
- 9: 30u" GOLD



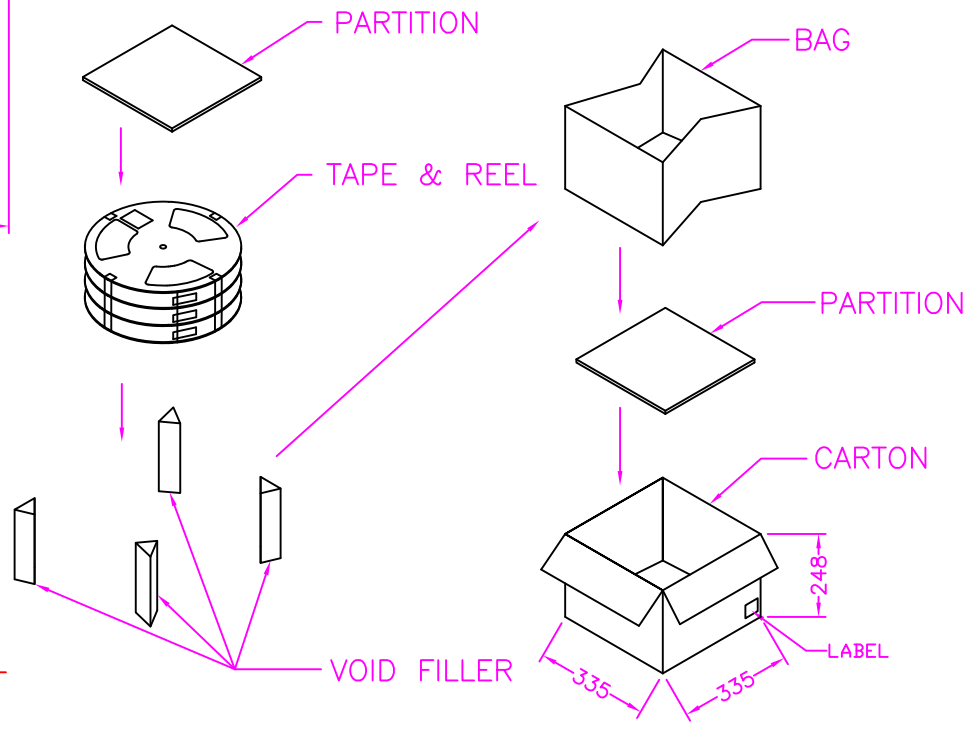
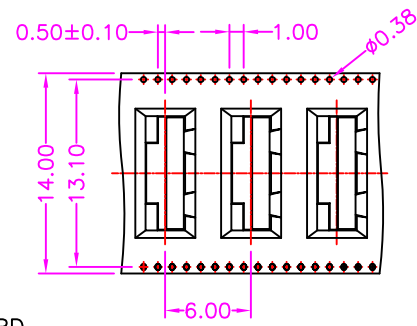
Cyberconn Technology Co., Ltd.
 www.cyberconn.com.tw Tel: +886-3-4951314

TOLERANCES	D-SUB CONNECTOR SERIES					
X.X ±0.3	HIGH DENSITY SLIM D-SUB, PCB MOUNT REVERSE TYPE					
X.XX ±0.2	R/A, METAL SHIELD, FEMALE, STAMPED PIN, BOARDLOCK					
X.XXX ±0.1	DRAWN BY	CHECKED BY		APPROVED BY		
Angle ±5°	Janice	Lion		Benson		
UNIT	SCALE	SIZE	DRAW NO.	REV.	Sheet	
	MM	NONE	A4	2DBLB-002	A 1/2	

A	RELEASE	2013.10.29
REV.	DESCRIPTION	DATE



PULL OUT DIRECTION



NOTES:

- MATERIAL:
CARRIER TAPE: PS.
COVER TAPE: PET.
REEL: PS.
SHIPPING BOX: CORRUGATED FIBERBOARD.
- DIMENSION:
REEL: $\phi=330$.
SHIPPING BOX: L=335. W=335. H=248.
- QUANTITY: SEE TABLE.
- SHIPPING BOX: SEE TABLE.
- PEELING STRENGTH: 0.1~1.3N(10~130 GRAMS)
- PEELING SPEED: 300mm/min.

A	RELEASE	2013.10.29
REV.	DESCRIPTION	DATE

Cyberconn Technology Co., Ltd.
www.cyberconn.com.tw Tel:+886-3-4951314

TOLERANCES	D-SUB CONNECTOR SERIES				
X.X ±0.3	TITLE HIGH DENSITY SLIM D-SUB, PCB MOUNT REVERSE TYPE				
X.XX ±0.2	R/A, METAL SHIELD, FEMALE, STAMPED PIN, BOARDLOCK				
X.XXX ±0.1	DRAWN BY	CHECKED BY	APPROVED BY		
Angle ±5°	Janice	Lion	Benson		
	UNIT	SCALE	SIZE	DRAW NO.	REV.
	MM	NONE	A4	2DBLB-002	A
				Sheet	2/2