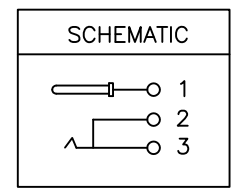
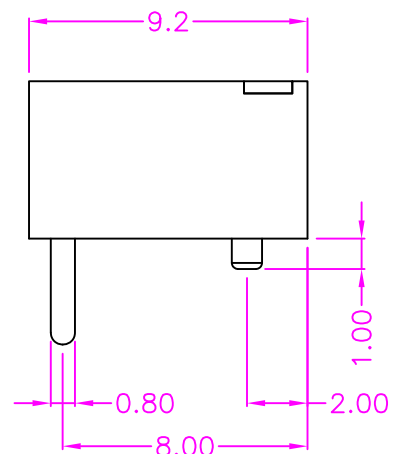


P.C.B. LAYOUT
TOP VIEW ±0.05



PART NUMBER:

3PJAB - 7 - 1 4 7

SERIES

BAG PACKAGE

∅1.30mm INNER PIN

MATERIALS

HOUSING: PBT (UL 94V-0), BLACK
 INNER PIN: COPPER ALLOY, SILVER PLATING
 TERMINAL: COPPER ALLOY, SILVER PLATING

SPECIFICATION

DIELECTRIC WITHSTANDING: 500V AC FOR ONE MINUTE
 CONTACT RESISTANCE: 50m OHMS MAX
 INSULATION RESISTANCE: 100M OHMS MIN AT DC 500V
 OPERATION TEMPERATURE: -25°C ~+85°C

| | | |
|------|-------------|----------|
| A | RELEASE | 2015.4.7 |
| REV. | DESCRIPTION | DATE |

Cyberconn Technology Co., Ltd.
 www.cyberconn.com.tw Tel: +886-3-4951314

| | | | | | | |
|------------|---|-------------|---------------|----------|-----------|-------|
| TOLERANCES | DC POWER JACK CONNECTOR SERIES | | | | | |
| X.X ±0.3 | TITLE | | | | | |
| X.XX ±0.2 | DC POWER JACK, PCB MOUNT, R/A, FEMALEM, WITH POST | | | | | |
| X.XXX ±0.1 | DRAWN BY | CHECKED BY | APPROVED BY | | | |
| Angle ±5° | <i>Tina</i> | <i>Lion</i> | <i>Benson</i> | | | |
| | UNIT | SCALE | SIZE | DRAW NO. | REV. | Sheet |
| | 10126 | MM | NONE | A4 | 3PJAB-007 | A 1/1 |