

MATERIALS
 HOUSING: THERMOPLSDTIC (UL 94V-0)
 SHELL: COPPER ALLOY, NICKEL PLATING
 TERMINAL: COPPER ALLOY, GOLD PLATED ON CONTACT AREA
 TIN PLATING ON SOLDER TAIL

SPECIFICATION
 CURRENT RATING: 1.5 AMP MAX
 DIELECTRIC WITHSTANDING: 500V AC FOR ONE MINUTE
 CONTACT RESISTANCE: 30m OHMS MAX
 INSULATION RESISTANCE: 1000M OHMS MIN AT DC 500V
 OPERATION TEMPERATURE: -40°C~+85°C

PART NUMBER:
3MJBK - 1 0 1 0 * T 2 - 1 1 7 *

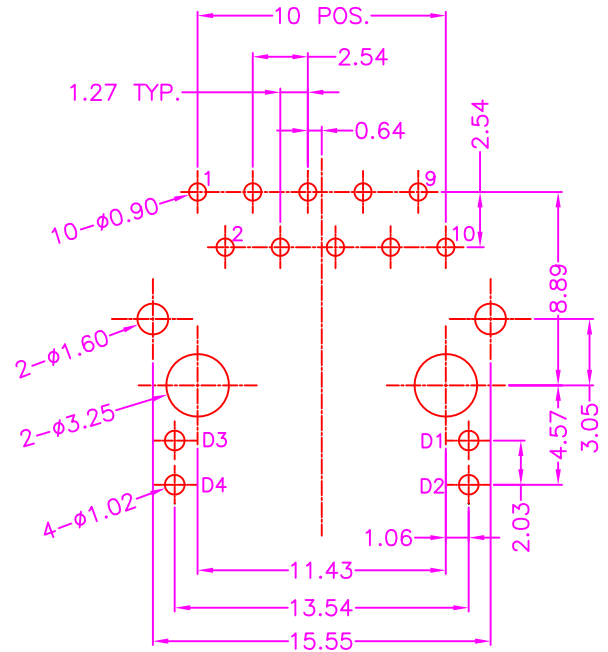
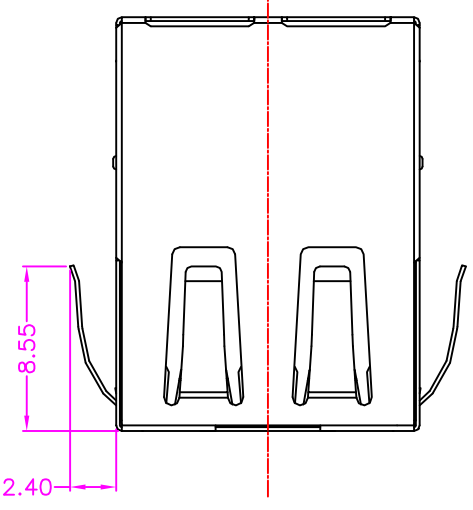
SERIES ————
 10 POSITION & 10 CONTACT ————
 CONTACT PLATED OPTION ————
 1: GOLD FLASH
 3: 3u" GOLD
 5: 5u" GOLD
 7: 15u" GOLD
 9: 30u" GOLD
 11: 6u" GOLD

LED COLOR OPTION
 REF. TABLE 1

TRAY PACKAGE

REAR PCB STOP

TIN PLATING ON SOLDER TAIL

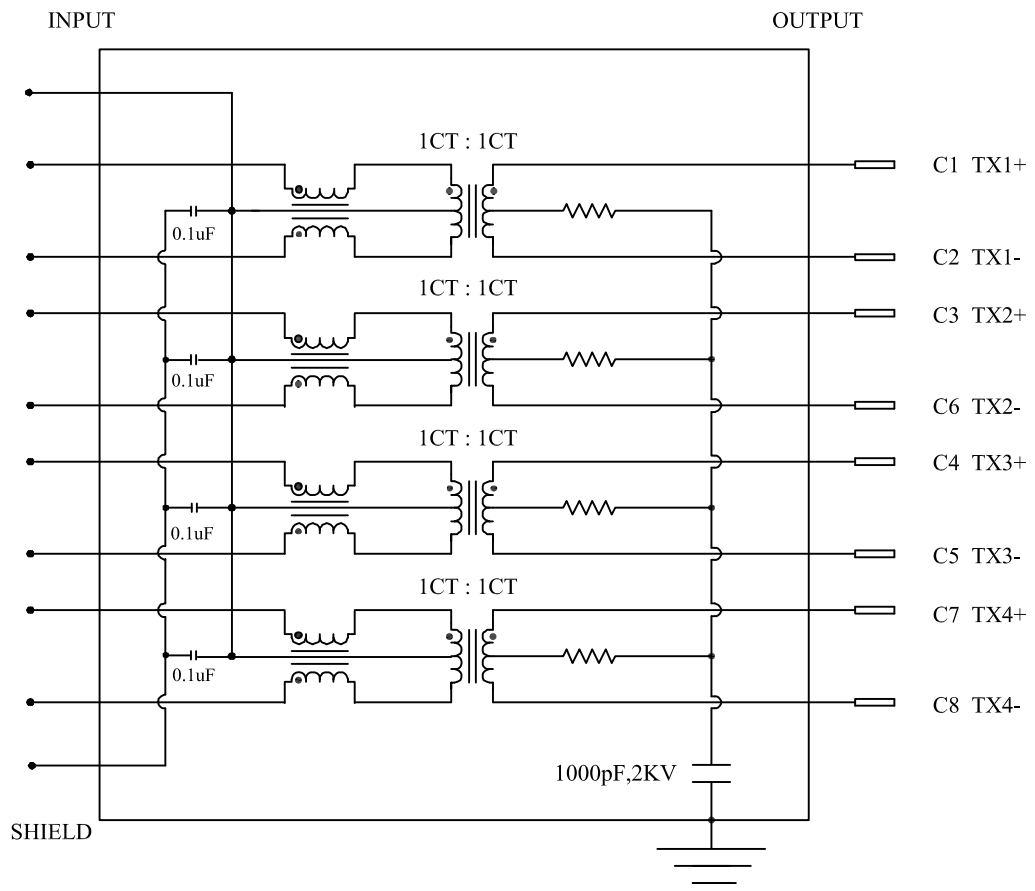


P.C.B. LAYOUT
 TOP VIEW ±0.05

Cyberconn Technology Co., Ltd. www.cyberconn.com.tw Tel:+886-3-4951314						
TOLERANCES		MODULAR JACK SERIES				
X.X ±0.3		TITLE RJ45, PCB MOUNT, SIDE ENTRY, METAL SHIELD WITH SPRING & LED & TRANSFORMER, GIGABIT				
X.XX ±0.2		DRAWN BY		CHECKED BY		APPROVED BY
X.XXX ±0.1		Tina		Lion		Benson
Angle ±5°		UNIT	SCALE	SIZE	DRAW NO.	REV. Sheet
		10113	MM	NONE	A4 3MJBK-007	A 1/2

A	RELEASE	2014.2.17
REV.	DESCRIPTION	DATE

SCHEMATICS

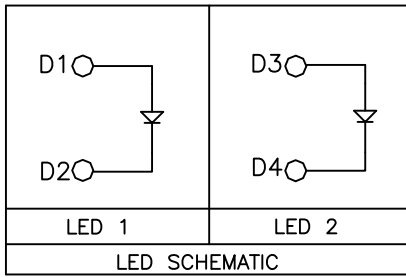


Electrical Specifications: (25°C)

- Turns Ratio:
@50KHz, 0.1V : 1 : 1 ±5%
- Insertion Loss:
@1~80 MHz : -1.0 dB Max
@100 MHz : -1.2 dB Max
- Return Loss:
@1~30MHz : -20 dB Min
@60~80MHz : -12 dB Min
- Common Mode Rejection:
@1~100 MHz: -30 dB Min
@200 MHz: -20 dB Min
- Crosstalk:
@1~100MHz : -35 dB Min
- OCL:
@100KHz, 0.1V, 8mADC : 350uH Min
- Hi-Pot : 1200VAC, 1mA, 1 Sec

TABLE 1

PART NUMBER	LED Color Option	
	LED 1	LED 2
3MJBK-1010*T2-1171	Yellow	Green
3MJBK-1010*T2-1172	Green	Yellow
3MJBK-1010*T2-1173	Yellow	Yellow
3MJBK-1010*T2-1174	Green	Green



Cyberconn Technology Co., Ltd.
www.cyberconn.com.tw Tel:+886-3-4951314

TOLERANCES	TITLE	MODULAR JACK SERIES				
X.X ±0.3	RJ45, PCB MOUNT, SIDE ENTRY, METAL SHIELD WITH SPRING & LED & TRANSFORMER, GIGABIT	DRAWN BY		CHECKED BY	APPROVED BY	
X.XX ±0.2		Tina		Lion	Benson	
X.XXX ±0.1		UNIT	SCALE	SIZE	DRAW NO.	REV.
Angle ±5°	10113	MM	NONE	A4	3MJBK-007	A
					Sheet	2/2

A	RELEASE	2014.2.17
REV.	DESCRIPTION	DATE