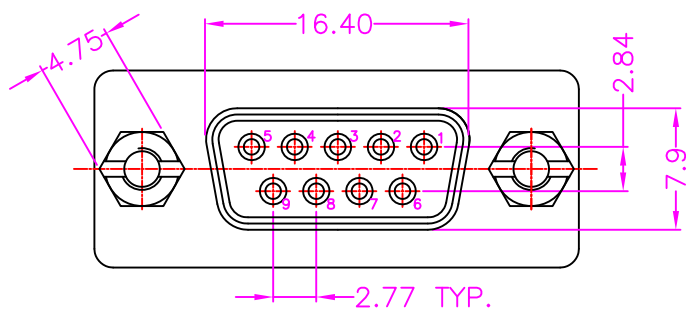


UNC #4-40 Hexscrew

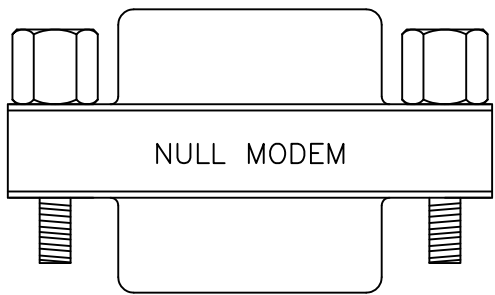


MATERIALS

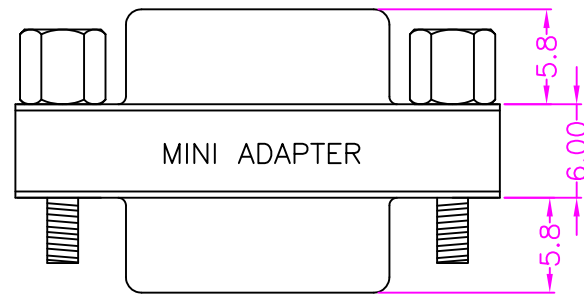
- HOUSING: PBT (UL 94V-0)
- SHELL: COPPER ALLOY, TIN PLATING
- SCREW: COPPER ALLOY, NICKEL PLATING
- TERMINAL: COPPER ALLOY, GOLD PLATING
- LABEL: ORANGE COLOR WITH WHITE CHARACTER

INFORMATION

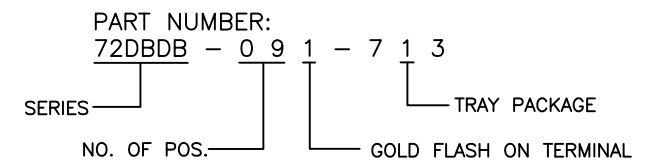
- LABEL: ORANGE COLOR WITH WHITE CHARACTER
- ONE SIDE: NULL MODEM
- OTHER SIDE: MINI ADAPTER



NULL MODEM

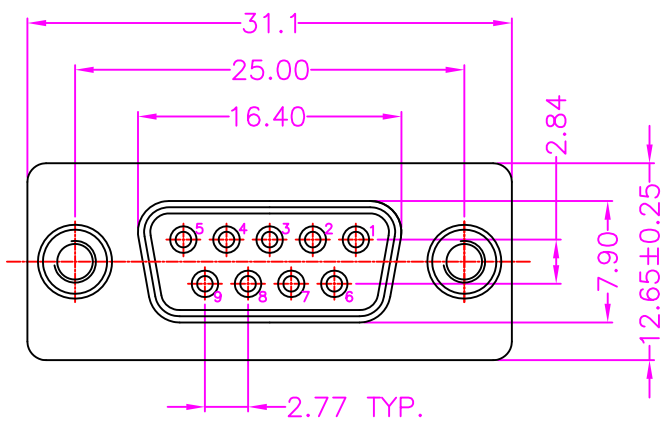


MINI ADAPTER



DB9 F/F ADAPTER PIN OUT

9Female		9Female	
2	-----	3	
3	-----	2	
4	-----	6	
5	-----	5	
6	-----	4	
7	-----	8	
8	-----	7	
G	-----	G	



A	RELEASE	2014.4.21
REV.	DESCRIPTION	DATE

Cyberconn Technology Co., Ltd.
www.cyberconn.com.tw Tel:+886-3-4951314

TOLERANCES	TITLE	ADAPTER SERIES				
X.X ±0.3	D-SUB FEMALE TO D-SUB FEMALE	DRAWN BY		CHECKED BY	APPROVED BY	
X.XX ±0.2		<i>Janice</i>		<i>Lion</i>	<i>Benson</i>	
X.XXX ±0.1	UNIT	SCALE	SIZE	DRAW NO.	REV.	
Angle ±5°	MM	NONE	A4	72DBDB-003	A	
					Sheet	
					1/1	