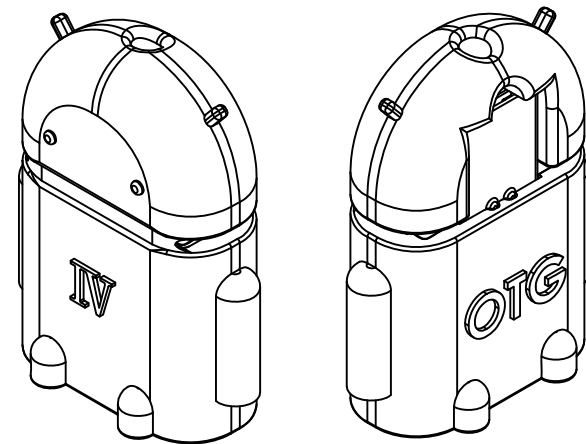
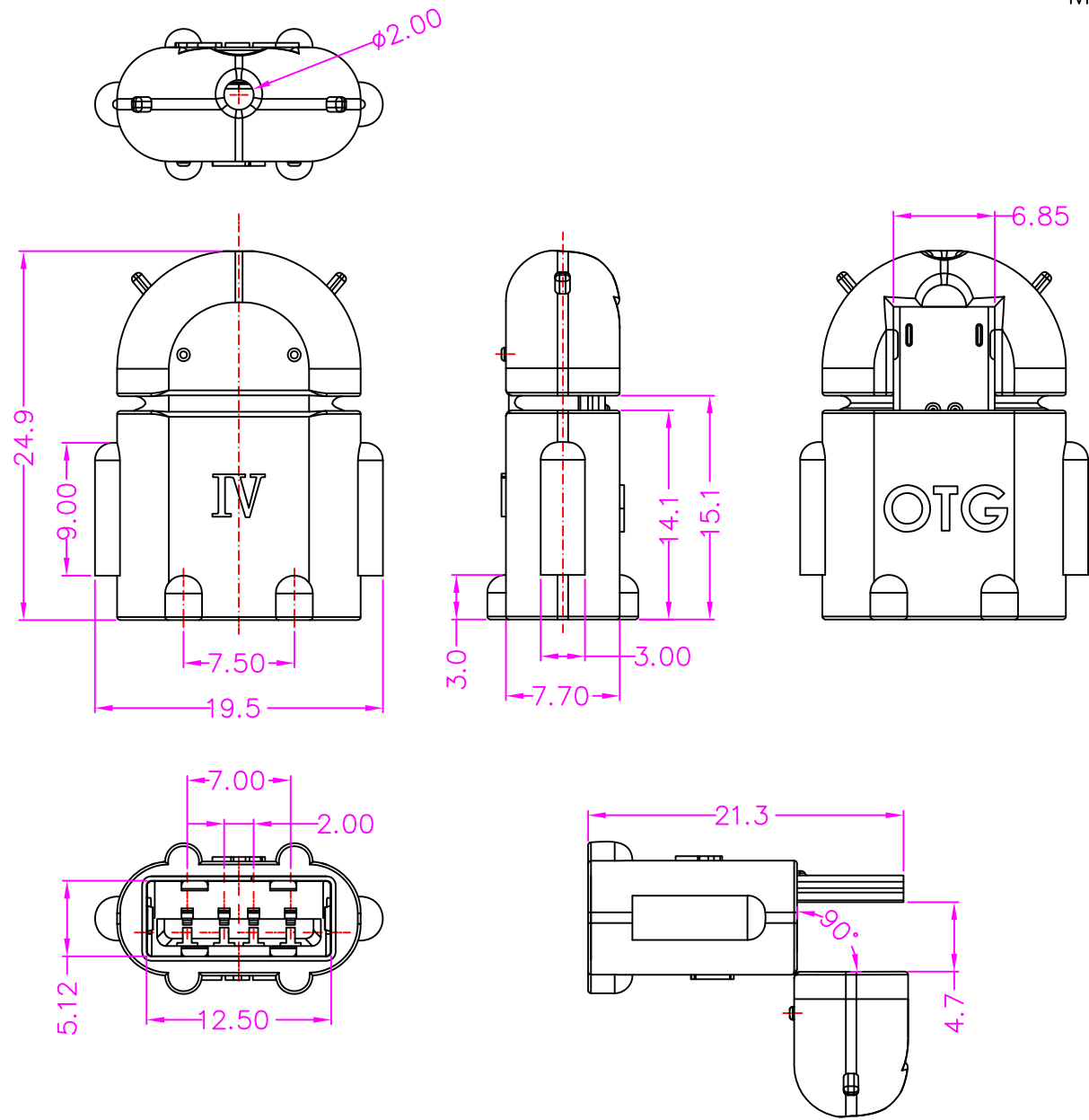


MATERIALS

HOUSING: HI-TEMP. PLASTIC (UL 94V-0)
 BODY: SILICON
 SHELL: STAINLESS STEEL
 TERMINAL: COPPER ALLOY, GOLD PLATING



PART NUMBER:
 72USUS - 0 4 1 - 4 4 1 *

SERIES — NO. OF POS. — GOLD FLASH ON TERMINAL — BAG PACKAGE — BODY COLOR OPTION

BLANK: DARK BLUE
 G: GREEN
 RA: ORANGE
 PN: PINK
 Y: YELLOW

A	RELEASE	2014.8.12
REV.	DESCRIPTION	DATE

Cyberconn Technology Co., Ltd. www.cyberconn.com.tw Tel: +886-3-4951314						
TOLERANCES	ADAPTER SERIES					
X.X ±0.3	TITLE OTG, USB A TYPE FEMALE TO MICRO USB MALE					
X.XX ±0.2	DRAWN BY		CHECKED BY		APPROVED BY	
X.XXX ±0.1	Tina		Lion		Benson	
Angle ±5°	UNIT	SCALE	SIZE	DRAW NO.	REV.	Sheet
	10154	MM	NONE	A4	72USUS-002 A	1/1