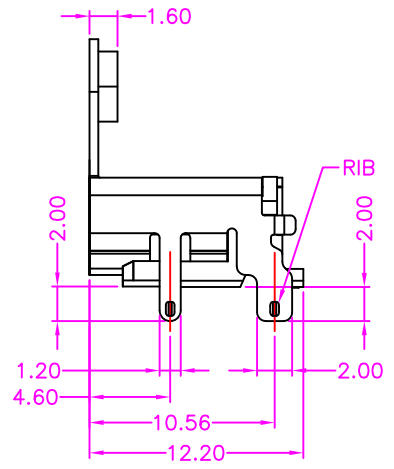
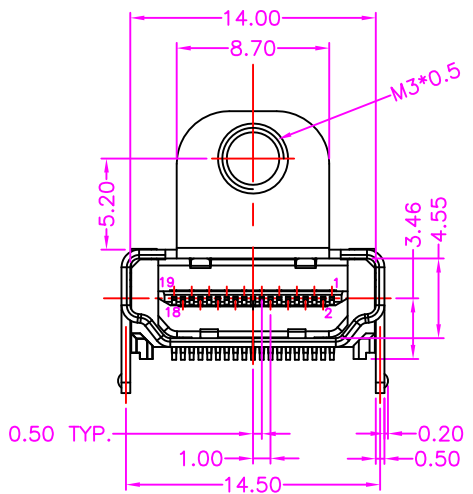


P.C.B. LAYOUT
TOP VIEW ±0.05

HDMI TYPE A PIN ASSIGNMENT

PIN	Signal Assignment
1	TMDS Data2+
2	TMDS Data2 Shield
3	TMDS Data2-
4	TMDS Data1+
5	TMDS Data1 Shield
6	TMDS Data1-
7	TMDS Data0+
8	TMDS Data0 Shield
9	TMDS Data0-
10	TMDS Clock+
11	TMDS Clock Shield
12	TMDS Clock-
13	CEC
14	Reserved (N.C. on device)
15	SCL
16	SDA
17	DDC/CEC Ground
18	+5V Power
19	Hot Plug Detect



PART NUMBER:
2HDBC - 1 9 * T * - 1 2 3 *

SERIES — NO. OF POS. — CONTACT PLATED OPTION — SHELL PLATING OPTION — TIN PLATING ON SOLDER TAIL

1: GOLD FLASH
3: 3u" GOLD
5: 5u" GOLD
7: 15u" GOLD
9: 30u" GOLD

RIB OPTION
BLANK: WITHOUT RIB
R: WITH RIB

TAPE REEL PACKAGE

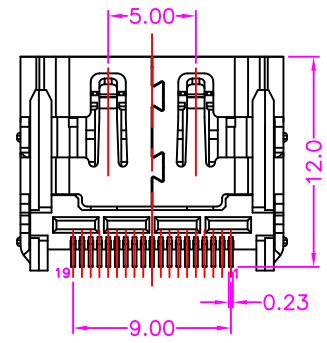
BLANK: NICKEL
G: GOLD

MATERIALS

HOUSING: HI-TEMP. PLASTIC (UL 94V-0)
SHELL: COPPER ALLOY
TERMINAL: COPPER ALLOY, GOLD PLATED ON CONTACT AREA
TIN PLATING ON SOLDER TAIL

SPECIFICATION

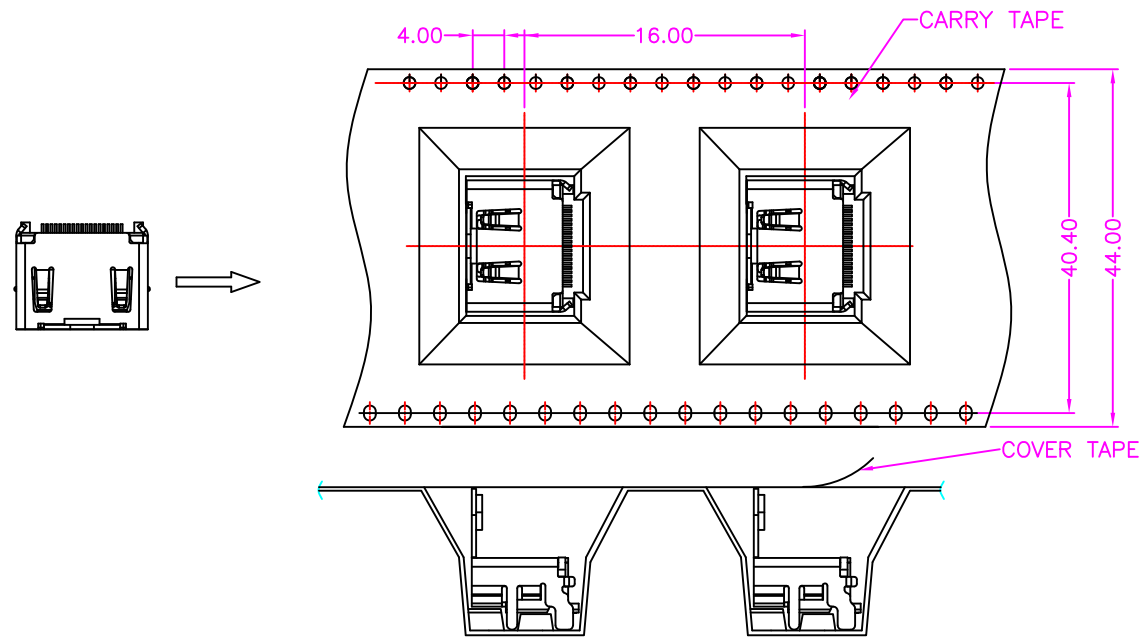
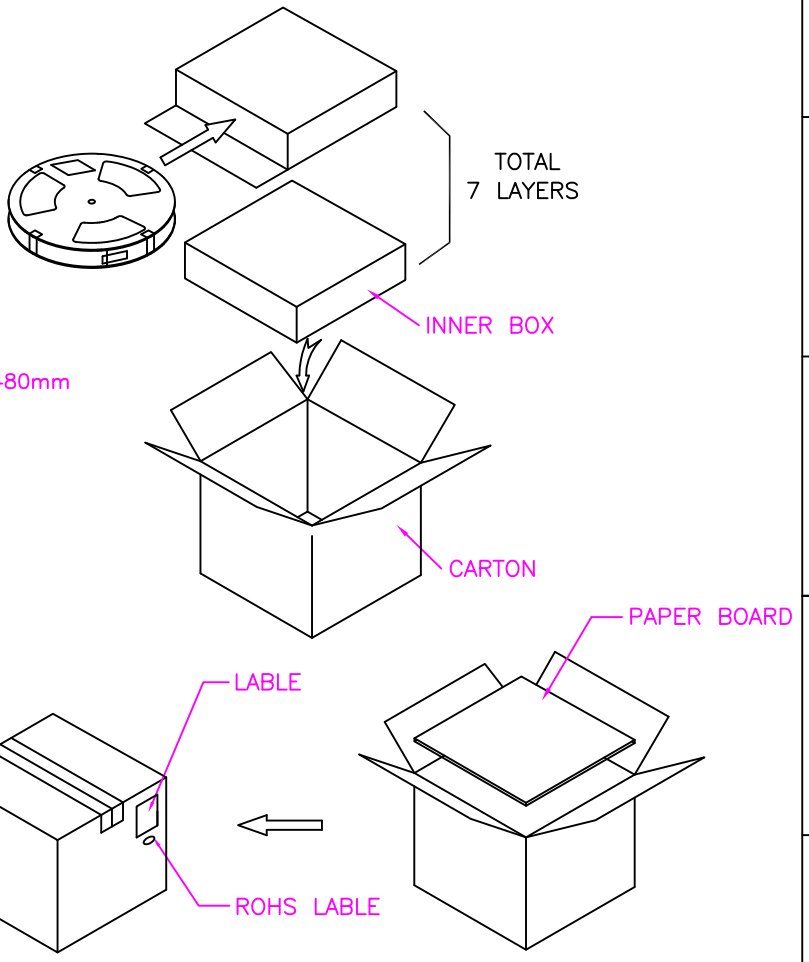
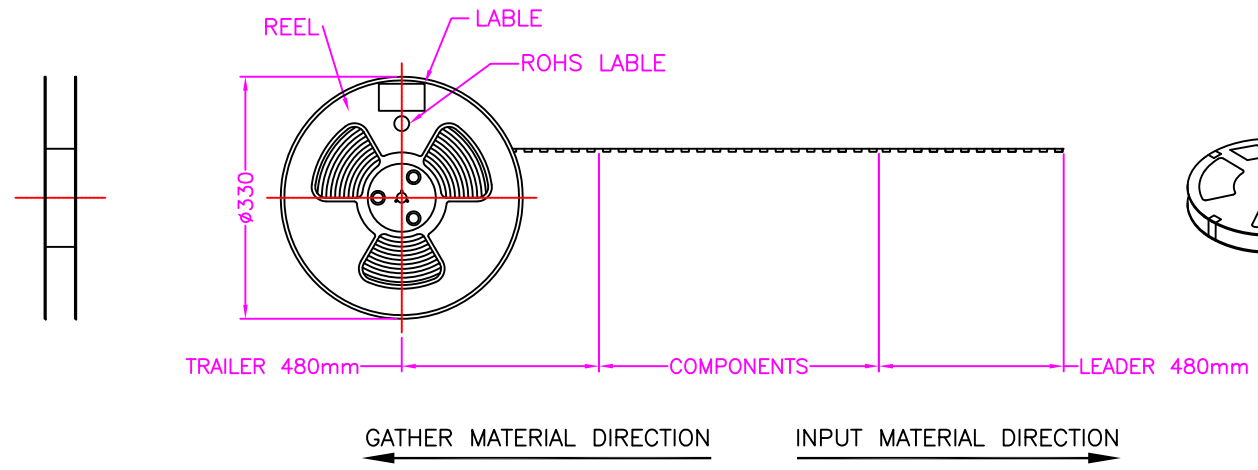
CURRENT RATING: 0.5 AMP MAX
DIELECTRIC WITHSTANDING: 500V AC FOR ONE MINUTE
CONTACT RESISTANCE: 30m OHMS MAX
INSULATION RESISTANCE: 100M OHMS MIN AT DC 500V
OPERATION TEMPERATURE: -20°C~+85°C



REV.	DESCRIPTION	DATE
B	MODIFY DRAW.	2015.2.9
A	RELEASE	2014.12.23

Cyberconn Technology Co., Ltd.
www.cyberconn.com.tw Tel:+886-3-4951314

TOLERANCES	HDMI CONNECTOR SERIES					
X.X ±0.3 X.XX ±0.2 X.XXX±0.1 Angle ±5°	TITLE	HDMI, PCB MOUNT, SMT, METAL SHIELD, FEMALE WITH EAR & SCREW				
	DRAWN BY	CHECKED BY		APPROVED BY		
	<i>Tina</i>	<i>Lion</i>		<i>Benson</i>		
UNIT	SCALE	SIZE	DRAW NO.	REV.	Sheet	
10096	MM	NONE	A4	2HDBC-003	B 1/2	



B	MODIFY DRAW.	2015.2.9
A	RELEASE	2014.12.23
REV.	DESCRIPTION	DATE

NOTE: 120PCS/REEL, 7REEL/CARTON, 840PCS/CARTON

Cyberconn Technology Co., Ltd.
 www.cyberconn.com.tw Tel: +886-3-4951314

TOLERANCES	HDMI CONNECTOR SERIES					
X.X ±0.3	TITLE HDMI, PCB MOUNT, SMT, METAL SHIELD, FEMALE WITH EAR & SCREW					
X.XX ±0.2	DRAWN BY		CHECKED BY		APPROVED BY	
X.XXX ±0.1	Tina		Lion		Benson	
Angle ±5°	UNIT	SCALE	SIZE	DRAW NO.	REV.	Sheet
	10096	MM	NONE	A4	2HDBC-003	B 2/2