

MATERIALS

HOUSING: THERMOPLASTIC (UL 94V-0), BLACK
 SHELL: COPPER ALLOY, NICKEL PLATING
 TERMINAL: COPPER ALLOY, GOLD PLATED

SPECIFICATION

CURRENT RATING: 1.5 AMP MAX
 DIELECTRIC WITHSTANDING: 500V AC FOR ONE MINUTE
 CONTACT RESISTANCE: 30m OHMS MAX
 INSULATION RESISTANCE: 1000M OHMS MIN AT DC 500V
 OPERATION TEMPERATURE: -40°C~+85°C

PART NUMBER:

3MJBE - 8 8 * - 1 1 6

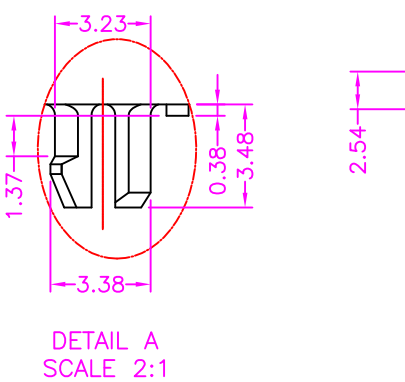
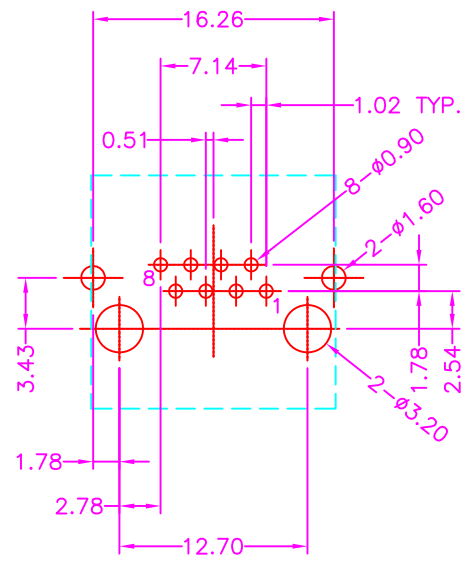
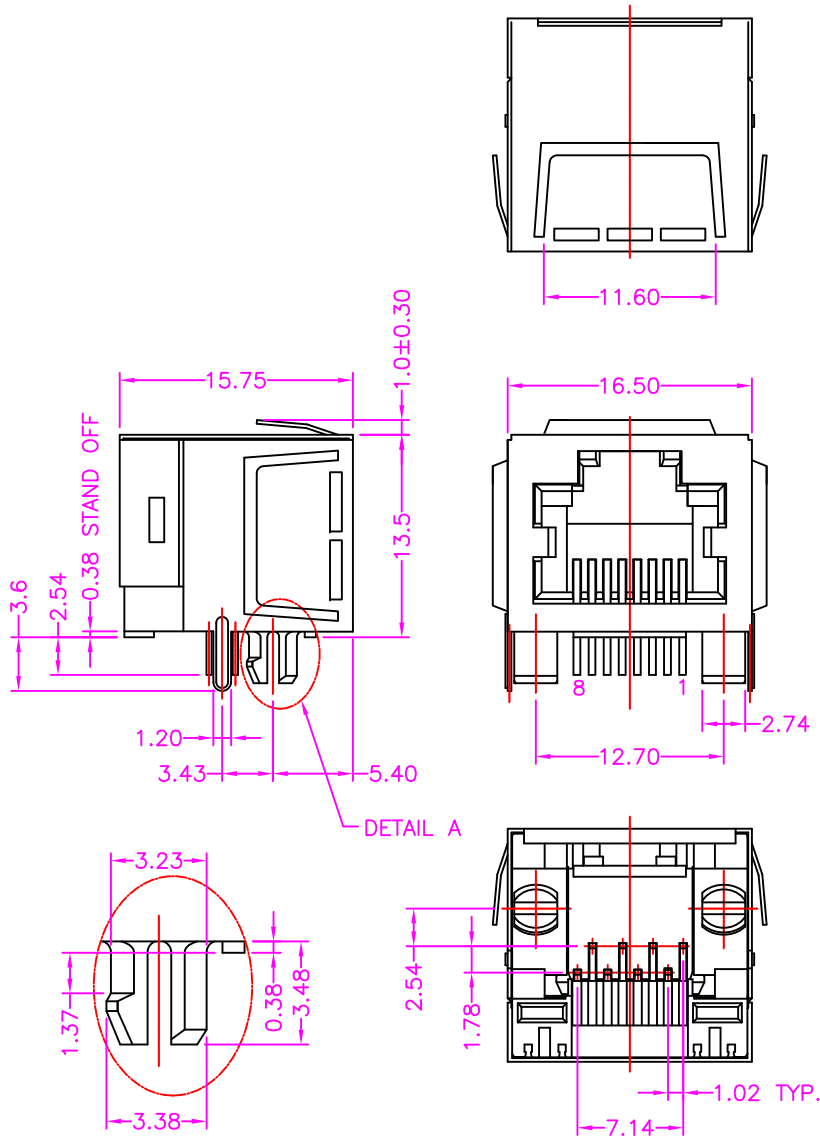
SERIES

TRAY PACKAGE

8 POSITION & 8 CONTACT

CONTACT PLATED OPTION

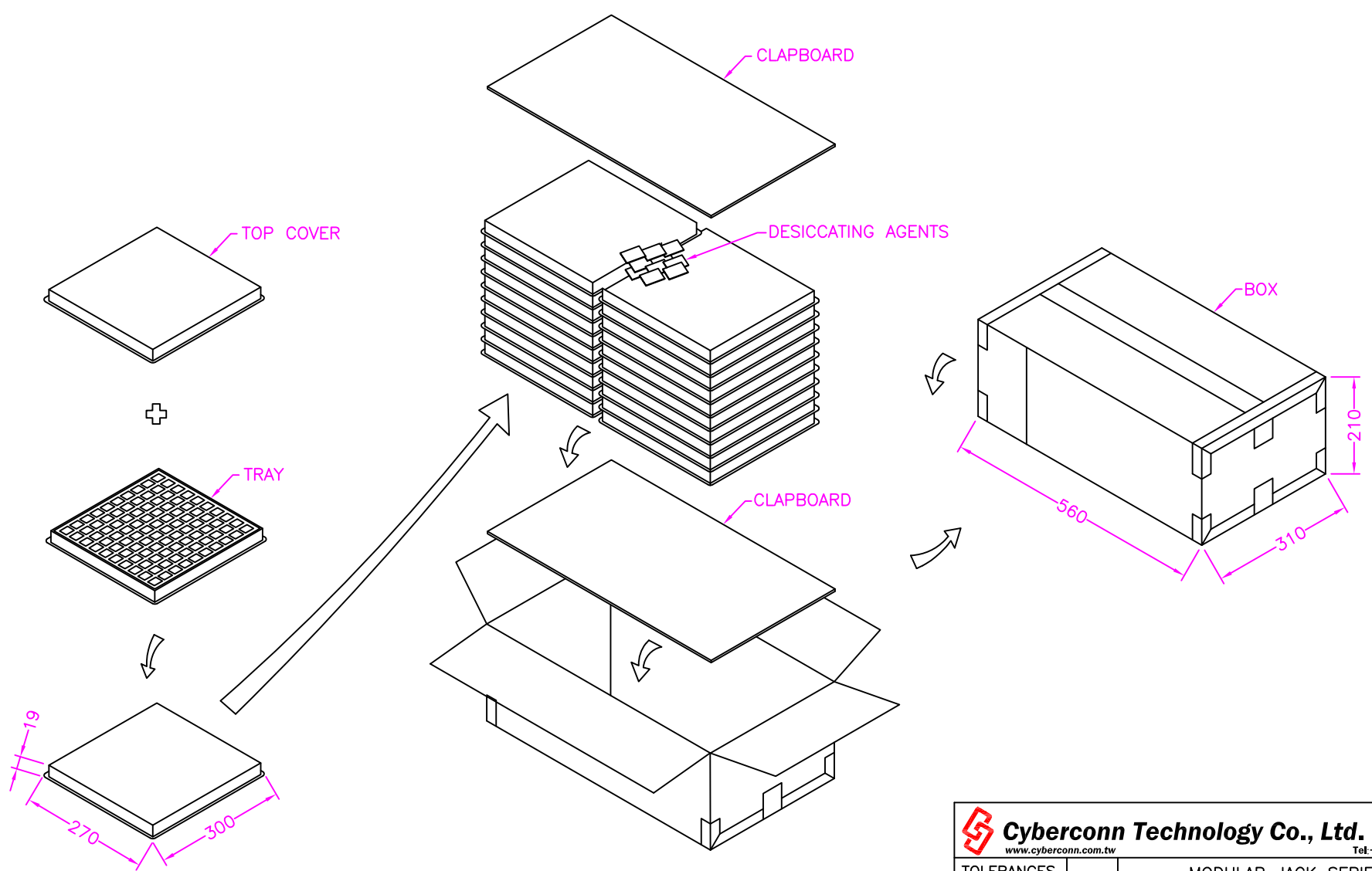
- 1: GOLD FLASH
- 3: 3u" GOLD
- 5: 5u" GOLD
- 7: 15u" GOLD
- 9: 30u" GOLD
- 11: 6u" GOLD



Cyberconn Technology Co., Ltd.
 www.cyberconn.com.tw Tel:+886-3-4951314

TOLERANCES	MODULAR JACK SERIES				
X.X ±0.3	TITLE RJ45, PCB MOUNT, SIDE ENTRY, METAL SHIELD, WITH SPRING				
X.XX ±0.2	DRAWN BY		CHECKED BY		APPROVED BY
X.XXX ±0.1	Tina		Lion		Benson
Angle ±5°	UNIT	SCALE	SIZE	DRAW NO.	REV.
	10006	MM	NONE	A4	3MJBE-006
					Sheet
					A
					1/2

A	RELEASE	2015.4.23
REV.	DESCRIPTION	DATE



NOTE: 100PCS/TRAY, 2000PCS/20TRAY/BOX

A	RELEASE	2015.7.7
REV.	DESCRIPTION	DATE

Cyberconn Technology Co., Ltd.
www.cyberconn.com.tw Tel:+886-3-4951314

TOLERANCES	TITLE	MODULAR JACK SERIES				
X.X ±0.3	RJ45, PCB MOUNT, SIDE ENTRY, METAL SHIELD, WITH SPRING	DRAWN BY		CHECKED BY	APPROVED BY	
X.XX ±0.2		<i>Tina</i>		<i>Lion</i>	<i>Benson</i>	
X.XXX ±0.1		UNIT	SCALE	SIZE	DRAW NO.	REV.
Angle ±5°	10006	MM	NONE	A4	3MJB-006	A
					Sheet	2/2