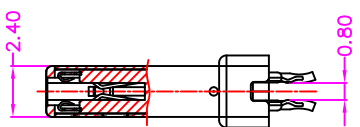
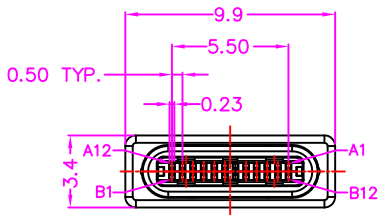


MATERIALS

HOUSING: THERMOPLASTIC (UL 94V-0), BLACK
 SHELL: SUS, NICKEL PLATING
 LATCH: SUS, NICKEL PLATING
 TERMINAL: COPPER ALLOY, GOLD PLATED ON CONTACT AREA
 TIN PLATING ON SOLDER TAIL

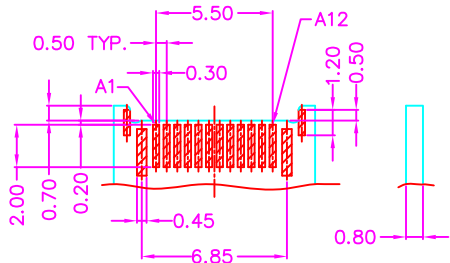
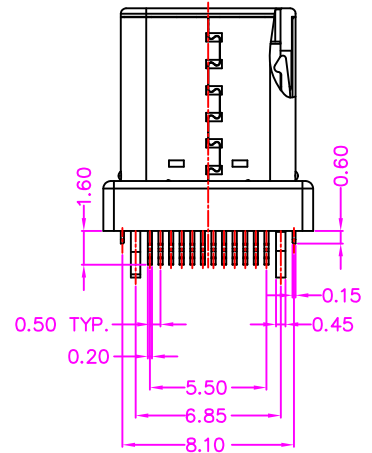


PART NUMBER:
2USJA - 2 4 * T - 2 1 2 *

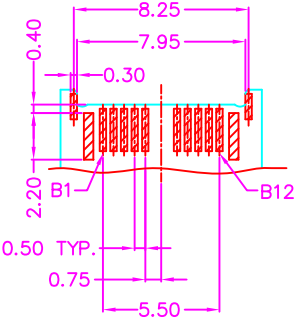
SERIES ———
 NO. OF POS. ———
 CONTACT PLATED OPTION ———
 TRAY PACKAGE ———
 TIN PLATING ON SOLDER TAIL ———

TOP & BOTTOM SHELL OPTION
 BLANK: WITHOUT TOP & BOTTOM SHELL
 S: WITH TOP & BOTTOM SHELL

1: GOLD FLASH
 3: 3u" GOLD
 5: 5u" GOLD
 6: 10u" GOLD
 7: 15u" GOLD
 9: 30u" GOLD



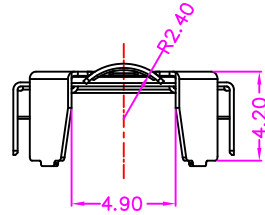
P.C.B LAYOUT
 TOP VIEW±0.05



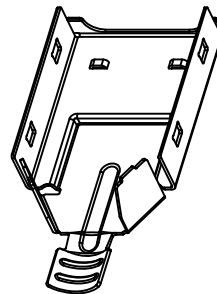
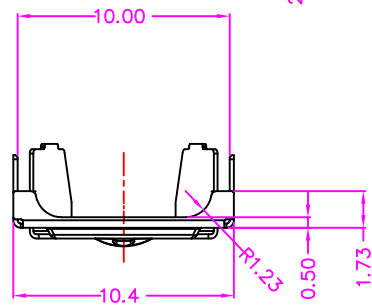
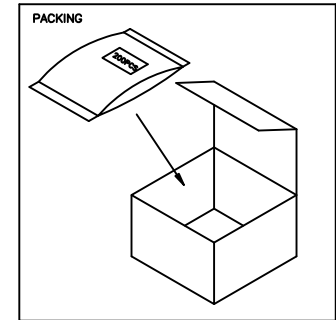
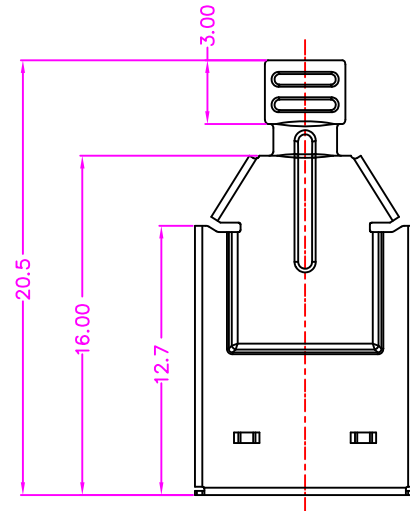
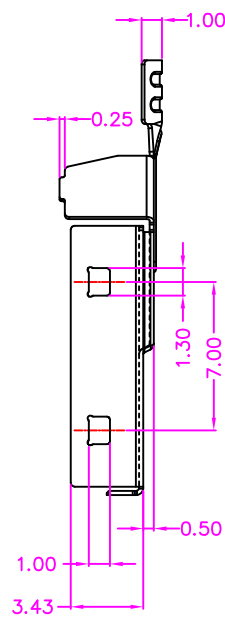
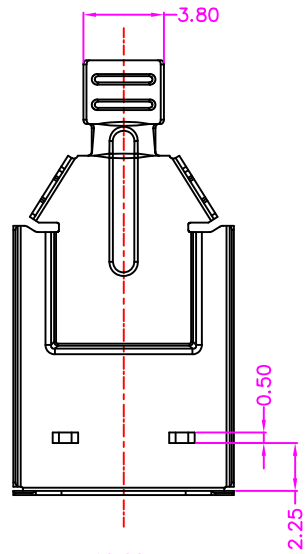
Cyberconn Technology Co., Ltd.
 www.cyberconn.com.tw Tel:+886-3-4951314

TOLERANCES	TITLE	USB CONNECTOR SERIES				
X.X ±0.3	DRAWN BY	USB C TYPE PLUG, SOLDER MOUNT				
X.XX ±0.2		METAL SHIELD, VERTICAL				
X.XXX±0.1		CHECKED BY	APPROVED BY			
Angle ±5°	<i>Tina</i>	<i>Lion</i>	<i>Benson</i>			
	UNIT	SCALE	SIZE	DRAW NO.	REV.	Sheet
	10118	MM	NONE	A4	2USJA-002	A 1/4

A	RELEASE	2015.3.2
REV.	DESCRIPTION	DATE



TOP SHELL

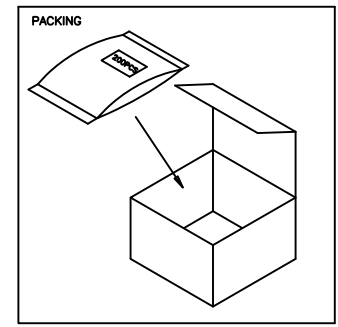
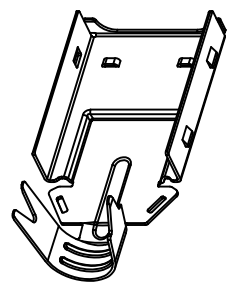
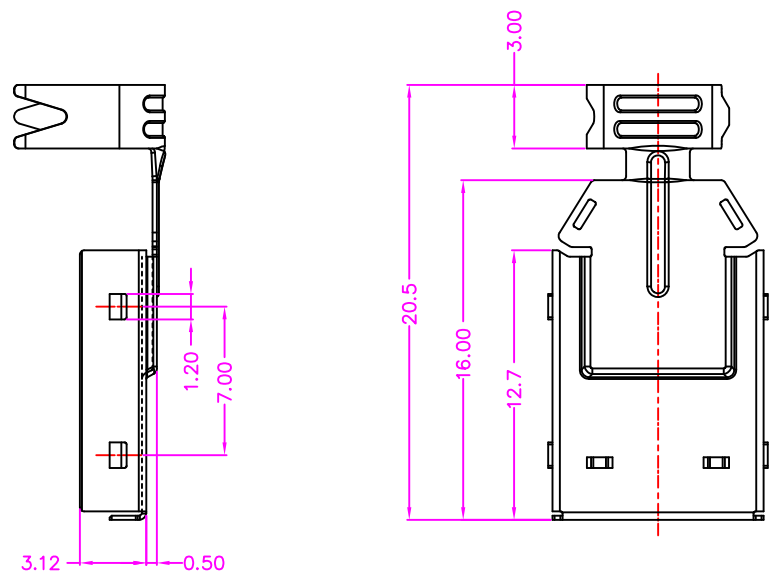
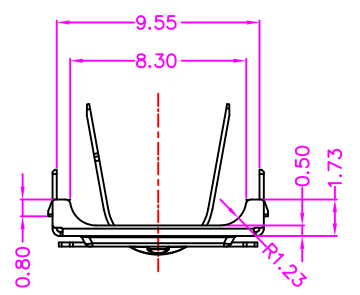
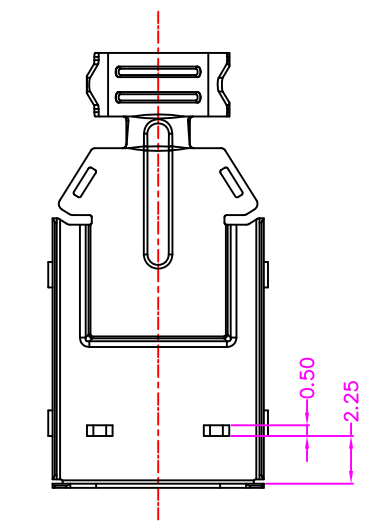
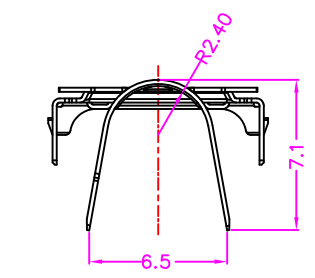


Cyberconn Technology Co., Ltd.
 www.cyberconn.com.tw Tel:+886-3-4951314

TOLERANCES	TITLE	USB CONNECTOR SERIES				
X.X ±0.3 X.XX ±0.2 X.XXX ±0.1 Angle ±5°		USB C TYPE PLUG, SOLDER MOUNT METAL SHIELD, VERTICAL, TOP SHELL				
	DRAWN BY	CHECKED BY		APPROVED BY		
	<i>Tina</i>	<i>Lion</i>		<i>Benson</i>		
	UNIT	SCALE	SIZE	DRAW NO.	REV.	Sheet
	10118	MM	NONE	A4	2USJA-002	A

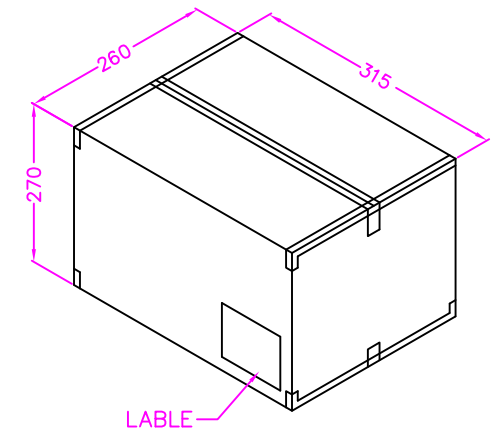
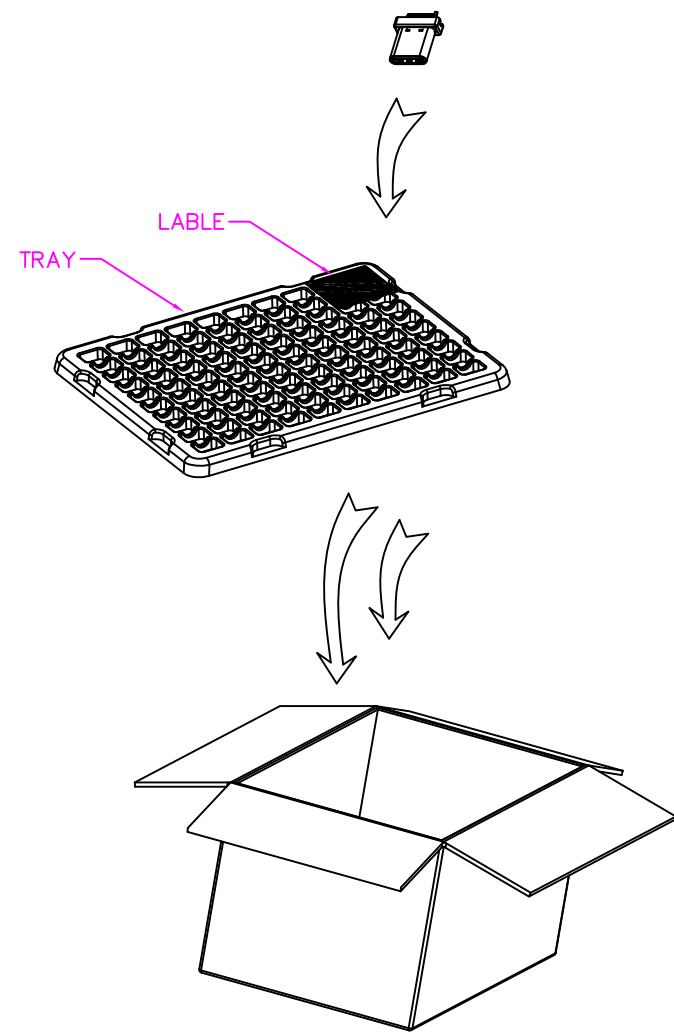
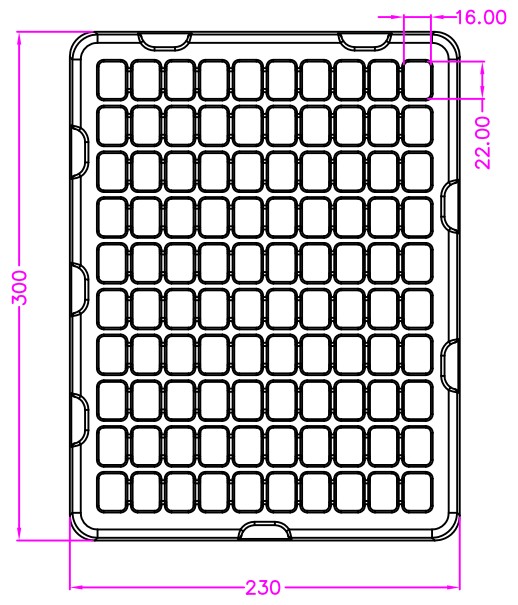
A	RELEASE	2015.3.2
REV.	DESCRIPTION	DATE

BOTTOM SHELL



A	RELEASE	2015.3.2
REV.	DESCRIPTION	DATE

Cyberconn Technology Co., Ltd. www.cyberconn.com.tw Tel:+886-3-4951314						
TOLERANCES		TITLE USB CONNECTOR SERIES USB C TYPE PLUG, SOLDER MOUNT METAL SHIELD, VERTICAL, BOTTOM SHELL				
X.X ±0.3 X.XX ±0.2 X.XXX ±0.1 Angle ±5°		DRAWN BY		CHECKED BY		APPROVED BY
		<i>Tina</i>		<i>Lion</i>		<i>Benson</i>
UNIT	SCALE	SIZE	DRAW NO.	REV.	Sheet	
10118	MM	NONE	A4	2USJA-002	A	3/4



NOTE: 100PCS/TRAY, 30TRAY/CARTON, 3000PCS/CARTON

A	RELEASE	2015.3.2
REV.	DESCRIPTION	DATE

Cyberconn Technology Co., Ltd. <small>www.cyberconn.com.tw Tel:+886-3-4951314</small>						
TOLERANCES		TITLE				
X.X ±0.3		USB CONNECTOR SERIES				
X.XX ±0.2		USB C TYPE PLUG, SOLDER MOUNT				
X.XXX ±0.1		METAL SHIELD, VERTICAL				
Angle ±5°		DRAWN BY		CHECKED BY		APPROVED BY
		<i>Tina</i>		<i>Lion</i>		<i>Benson</i>
		UNIT	SCALE	SIZE	DRAW NO.	REV. Sheet
10118		MM	NONE	A4	2USJA-002	A 4/4