

PART NUMBER:
2USWA - 1 0 * T - 1 * 3 *

SERIES: 2USWA
 NO. OF POS.: 10
 CONTACT PLATED OPTION: *T*
 PACKAGE OPTION: -1*3*
 "X" LENGTH OPTION:
 A: 0.90mm
 B: 1.10mm
 C: 1.60mm
 TIN PLATING ON SOLDER TAIL

1: GOLD FLASH
 3: 3u" GOLD
 5: 5u" GOLD
 6: 10u" GOLD
 7: 15u" GOLD
 9: 30u" GOLD

MATERIALS

HOUSING: HI-TEMP. PLASTIC (UL 94V-0), BLACK
 SHELL: STAINLESS STEEL, NICKEL PLATING
 TERMINAL: COPPER ALLOY, GOLD PLATED ON CONTACT AREA
 TIN PLATING NO SOLDER TAIL

SPECIFICATION

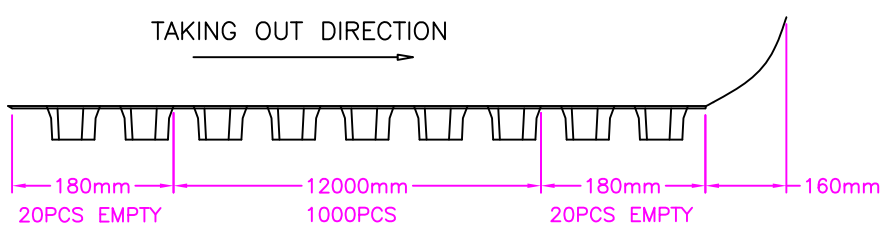
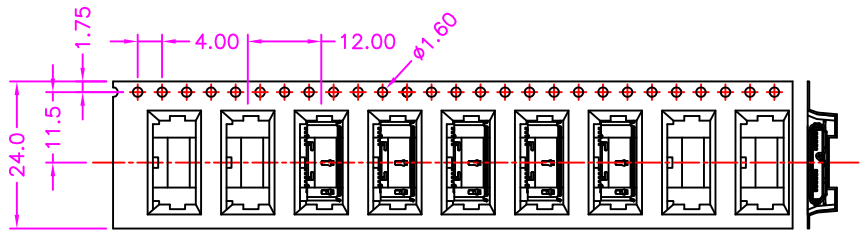
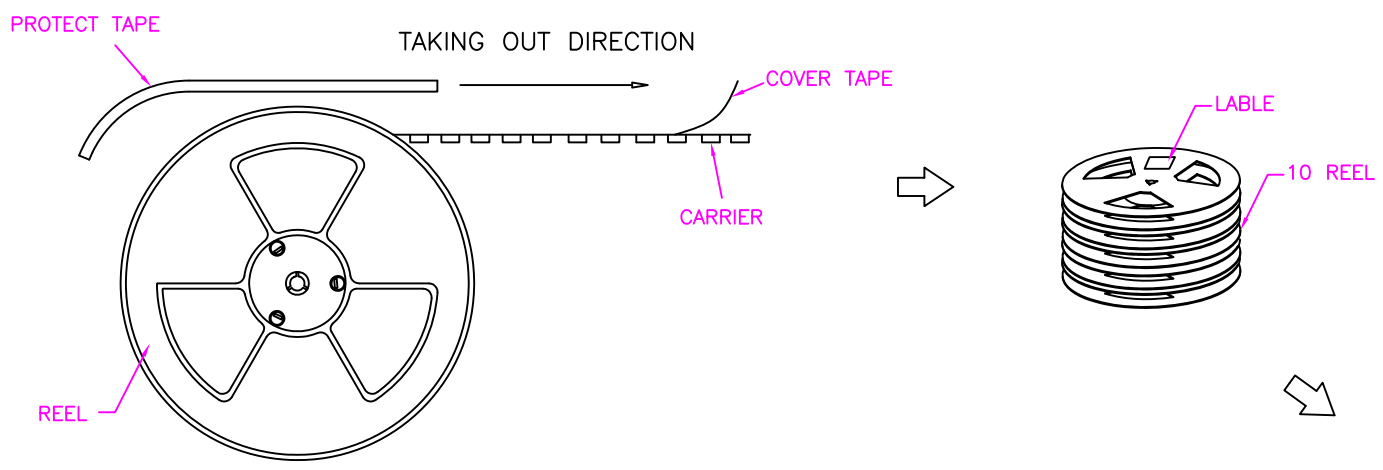
CURRENT RATING: 0.5 AMP MAX
 DIELECTRIC WITHSTANDING: 250V AC FOR ONE MINUTE
 CONTACT RESISTANCE: 30m OHMS MAX
 INSULATION RESISTANCE: 100M OHMS MIN AT DC 500V
 OPERATION TEMPERATURE: -25°C~+80°C

Pin NO.	Signal Name
1	VBUS
2	D-
3	D+
4	ID
5	GND
6	MicB_SSTX-
7	MicB_SSTX+
8	GND_DRAIN
9	MicB_SSRX-
10	MicB_SSRX+

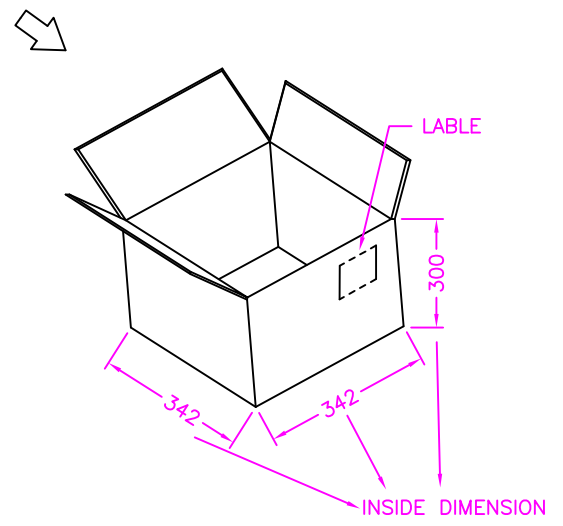
A	RELEASE	2015.3.12
REV.	DESCRIPTION	DATE

Cyberconn Technology Co., Ltd.
 www.cyberconn.com.tw Tel:+886-3-4951314

TOLERANCES	TITLE: USB CONNECTOR SERIES				
X.X ±0.3	MICRO USB 3.0 B TYPE, PCB MOUNT, SMT				
X.XX ±0.2	METAL SHIELD, FEMALE				
X.XXX ±0.1	DRAWN BY	CHECKED BY	APPROVED BY		
Angle ±5°	<i>Tina</i>	<i>Lion</i>	<i>Benson</i>		
	UNIT	SCALE	SIZE	DRAW NO.	REV.
	10152	MM	NONE	A4	2USWA-003
					Sheet
					1/2



NOTE: 1000 PCS/REEL, 10 REEL/CARTON, 10000PCS/CARTON



A	RELEASE	2015.3.12
REV.	DESCRIPTION	DATE

Cyberconn Technology Co., Ltd. <small>www.cyberconn.com.tw Tel:+886-3-4951314</small>						
TOLERANCES		TITLE				
X.X ±0.3		USB CONNECTOR SERIES				
X.XX ±0.2		MICRO USB 3.0 B TYPE, PCB MOUNT, SMT				
X.XXX ±0.1		METAL SHIELD, FEMALE				
Angle ±5°		DRAWN BY		CHECKED BY		APPROVED BY
		<i>Tina</i>		<i>Lion</i>		<i>Benson</i>
UNIT	SCALE	SIZE	DRAW NO.	REV.	Sheet	
10152	MM	NONE	A4	2USWA-003	A	2/2