

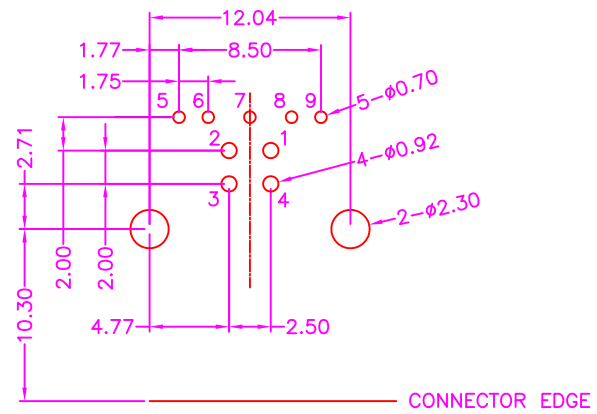
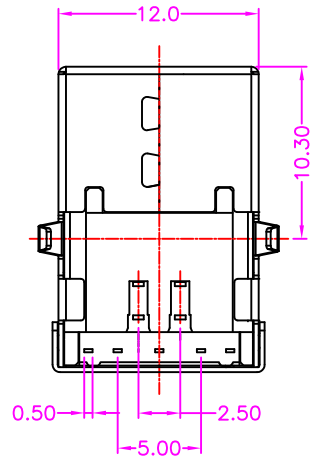
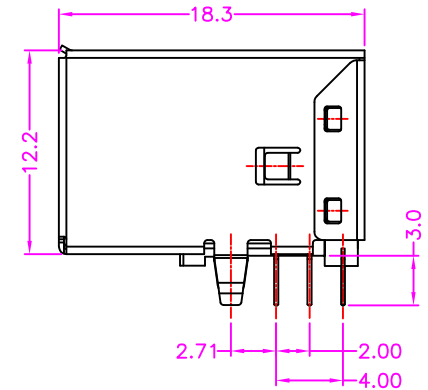
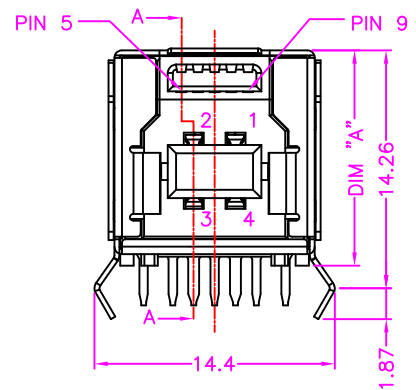
SECTION A-A

MATERIALS

HOUSING: LCP (UL 94V-0), BLUE
 SHELL: COPPER ALLOY, NICKEL PLATING
 TERMINAL: COPPER ALLOY, GOLD PLATED ON CONTACT AREA
 TIN PLATING ON SOLDER TAIL

SPECIFICATION

CURRENT RATING: 1.5 AMP MAX
 DIELECTRIC WITHSTANDING: 500V AC FOR ONE MINUTE
 CONTACT RESISTANCE: 30m OHMS MAX
 INSULATION RESISTANCE: 1000M OHMS MIN AT DC 500V
 OPERATION TEMPERATURE: -40°C~+85°C



P.C.B LAYOUT
 TOP VIEW ±0.05

PART NUMBER:
2USFC - 0 9 * T - 1 1 5 *

SERIES — NO. OF POS. — CONTACT PLATED OPTION — DIM "A" OPTION
 A: 12.9mm
 B: 12.6mm
 C: 12.4mm

TRAY PACKAGE
 TIN PLATING ON SOLDER TAIL

1: GOLD FLASH
 3: 3u" GOLD
 5: 5u" GOLD
 6: 10u" GOLD
 7: 15u" GOLD
 9: 30u" GOLD

A	RELEASE	2015.3.27
REV.	DESCRIPTION	DATE

Cyberconn Technology Co., Ltd. www.cyberconn.com.tw Tel:+886-3-4951314		TOLERANCES X.X ±0.3 X.XX ±0.2 X.XXX±0.1 Angle ±5°		TITLE USB CONNECTOR SERIES USB 3.0 B TYPE, PCB MOUNT, R/A METAL SHIELD, FEMALE, 9PIN		
PIN NUMBER	SIGNAL NAME	DRAWN BY	CHECKED BY	APPROVED BY		
1	VBUS	<i>Tina</i>	<i>Lion</i>	<i>Benson</i>		
2	D-	UNIT	SCALE	SIZE	DRAW NO.	
3	D+	MM	NONE	A4	2USFC-005	
4	GND	REV.	Sheet			
5	STDA_SSTX-	A	1/1			
6	STDA_SSTX+					
7	GND_DRAIN	10152				
8	STDA_SSRX-					
9	STDA_SSRX+					
SHELL	SHIELD					