

MATERIALS

HOUSING: THERMOPLASTIC (UL 94V-0), BLACK
 SHELL: COPPER ALLOY, NICKEL PLATING
 TERMINAL: COPPER ALLOY, GOLD PLATED ON CONTACT AREA
 TIN PLATING ON SOLDER TAIL

SPECIFICATION

CURRENT RATING: 1 AMP MAX
 DIELECTRIC WITHSTANDING: 500V AC FOR ONE MINUTE
 CONTACT RESISTANCE: 30m OHMS MAX
 INSULATION RESISTANCE: 1000M OHMS MIN AT DC 500V
 OPERATION TEMPERATURE: -55°C~+85°C

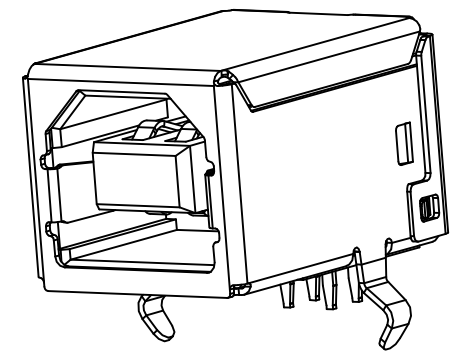
PART NUMBER:


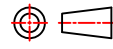
2USBC - 04 * T - 1 1 2

SERIES ————
 NO. OF POS. ————
 CONTACT PLATED OPTION ————
 TRAY PACKAGE
 TIN PLATING ON SOLDER TAIL

CONTACT PLATED OPTION

- 1: GOLD FLASH
- 3: 3u" GOLD
- 5: 5u" GOLD
- 6: 10u" GOLD
- 9: 30u" GOLD



 Cyberconn Technology Co., Ltd. <small>www.cyberconn.com.tw Tel:+886-3-4951314</small>						
TOLERANCES		TITLE				
X.X ±0.3		USB CONNECTOR SERIES				
X.XX ±0.2		USB B TYPE, PCB MOUNT, R/A, METAL				
X.XXX ±0.1		SHIELD, FEMALE				
Angle ±5°		DRAWN BY		CHECKED BY		APPROVED BY
		Tina		Lion		Benson
UNIT	SCALE	SIZE	DRAW NO.	REV.	Sheet	
10136	MM	NONE	A4	2USBC-002	A	1/1

A	RELEASE	2015.7.3
REV.	DESCRIPTION	DATE