

### MATERIALS

HOUSING: THERMOPLASTIC (UL 94V-0), BLACK  
 SHELL: COPPER ALLOY, NICKEL PLATING  
 TERMINAL: COPPER ALLOY, GOLD PLATED ON CONTACT AREA  
 TIN PLATING ON SOLDER TAIL

### SPECIFICATION

CURRENT RATING: 1 AMP MAX  
 DIELECTRIC WITHSTANDING: 500V AC FOR ONE MINUTE  
 CONTACT RESISTANCE: 30m OHMS MAX  
 INSULATION RESISTANCE: 1000M OHMS MIN AT DC 500V  
 OPERATION TEMPERATURE: -55°C~+85°C

#### PART NUMBER:

2USBC - 0 4 \* T - 1 1 1

SERIES

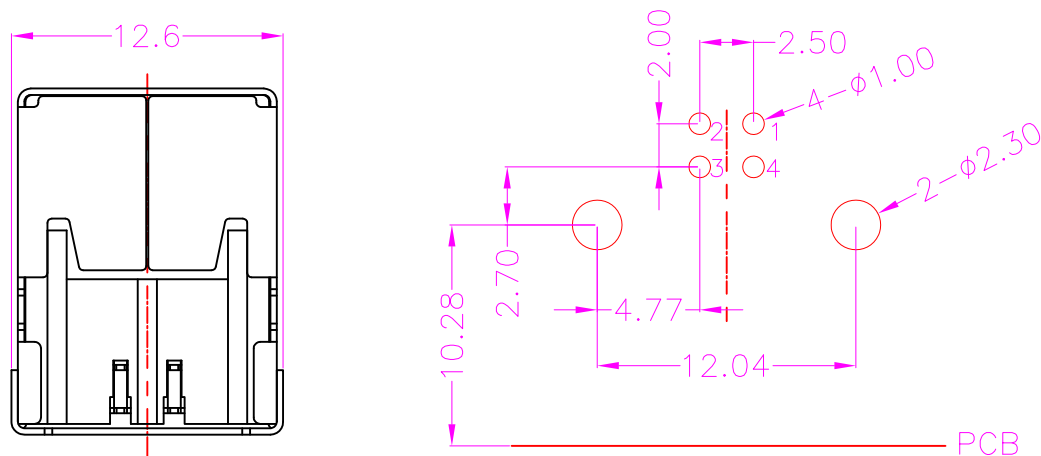
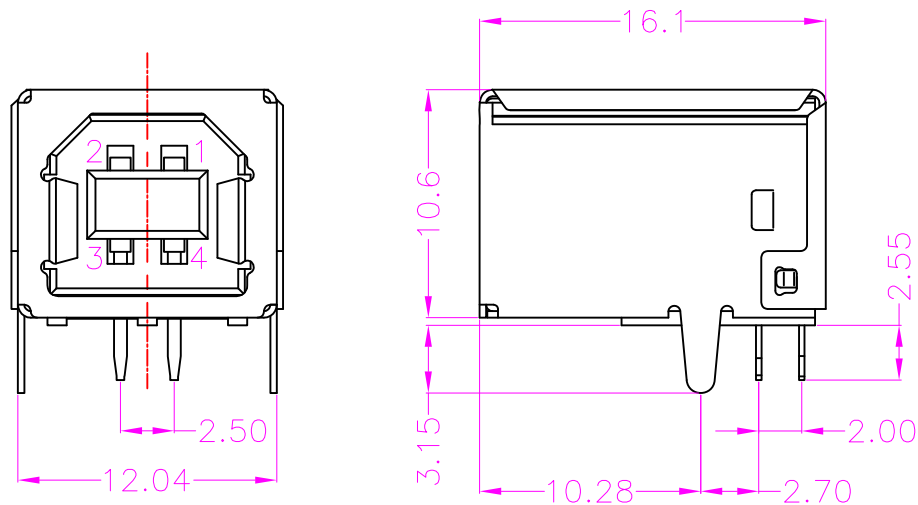
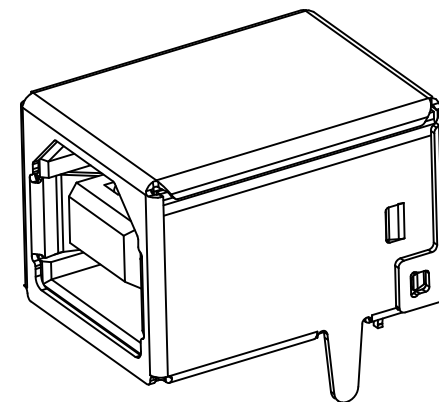
NO. OF POS.

TRAY PACKAGE

TIN PLATING ON SOLDER TAIL

#### CONTACT PLATED OPTION

- 1: GOLD FLASH
- 3: 3u" GOLD
- 5: 5u" GOLD
- 6: 10u" GOLD
- 9: 30u" GOLD



P.C.B. LAYOUT  
TOP VIEW ±0.05

|   |  |  |       |                   |           |      |       |
|---|--|--|-------|-------------------|-----------|------|-------|
| <b>Cyberconn Technology Co., Ltd.</b><br><small>www.cyberconn.com.tw Tel:+886-3-4951314</small> |  |  |       |                   |           |      |       |
| <b>TOLERANCES</b>   |  | <b>TITLE</b>                                     |       |                   |           |      |       |
| X.X ±0.3  |  | USB CONNECTOR SERIES                             |       |                   |           |      |       |
| X.XX ±0.2   |  | USB B TYPE, PCB MOUNT, R/A, METAL SHIELD, FEMALE |       |                   |           |      |       |
| X.XXX ±0.1  |  | <b>DRAWN BY</b>                                  |       | <b>CHECKED BY</b> |           |      |       |
| Angle ±5°   |  | Tina   |       | Lion              |           |      |       |
|   |  | <b>APPROVED BY</b>                               |       | Benson            |           |      |       |
|   |  | UNIT   | SCALE | SIZE              | DRAW NO.  | REV. | Sheet |
| 10136   |  | MM   | NONE  | A4                | 2USBC-001 | A    | 1/1   |

|      |             |           |
|------|-------------|-----------|
| A    | RELEASE     | 2015.4.14 |
| REV. | DESCRIPTION | DATE      |