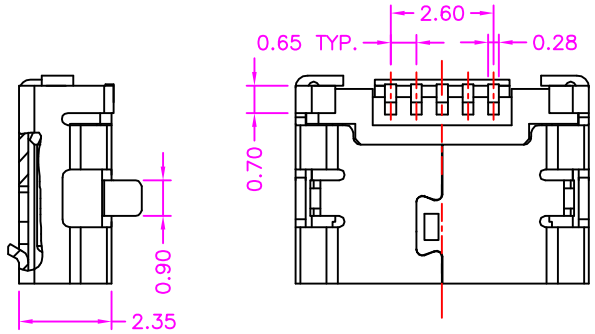
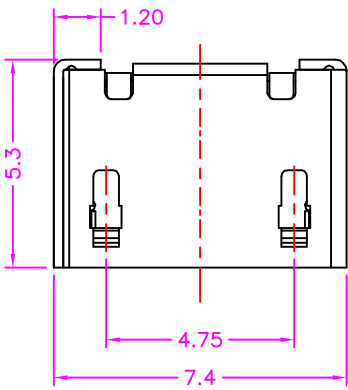
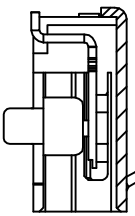


MATERIALS

HOUSING: HI-TEMP. PLASTIC (UL 94V-0), BLACK
 SHELL: COPPER ALLOY, NICKEL PLATING
 TERMINAL: COPPER ALLOY, GOLD PLATING

SPECIFICATION

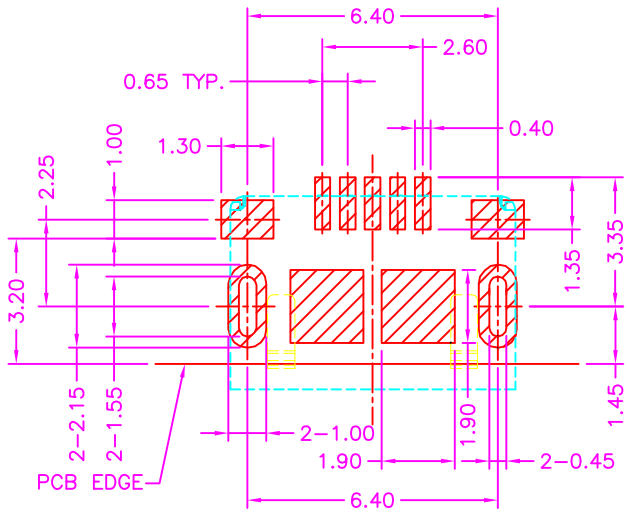
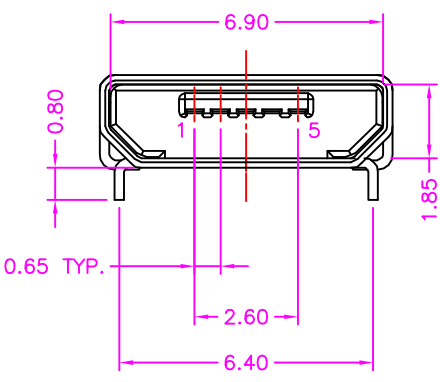
CURRENT RATING: 1.8 AMP MAX (ONLY PIN 1, 5), OTHER 1 AMP MAX
 DIELECTRIC WITHSTANDING: 100V AC FOR ONE MINUTE
 CONTACT RESISTANCE: 30m OHMS MAX
 INSULATION RESISTANCE: 100M OHMS MIN AT DC 500V
 OPERATION TEMPERATURE: -20°C~+105°C



PART NUMBER:
2USTA - 0 5 * - 1 2 A
 SERIES ——— NO. OF POS. ——— TAPE REEL PACKAGE

CONTACT PLATED OPTION

- 1: GOLD FLASH
- 3: 3u" GOLD
- 5: 5u" GOLD
- 7: 15u" GOLD
- 9: 30u" GOLD



P.C.B. LAYOUT
 TOP VIEW ±0.05

Cyberconn Technology Co., Ltd.
 www.cyberconn.com.tw Tel:+886-3-4951314

TOLERANCES		USB CONNECTOR SERIES				
X.X ±0.3	TITLE MICRO USB B TYPE, PCB MOUNT, SMT, METAL SHIELD FEMALE	DRAWN BY		CHECKED BY	APPROVED BY	
X.XX ±0.2		Tina		Lion	Benson	
X.XXX ±0.1		UNIT	SCALE	SIZE	DRAW NO.	REV.
Angle ±5°		10152	MM	NONE	A4	2USTA-010
REV.		DESCRIPTION		DATE		
A		RELEASE		2015.4.13		