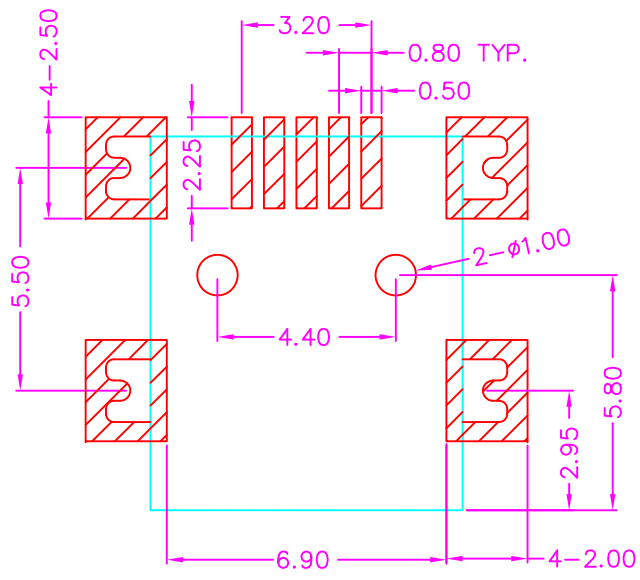
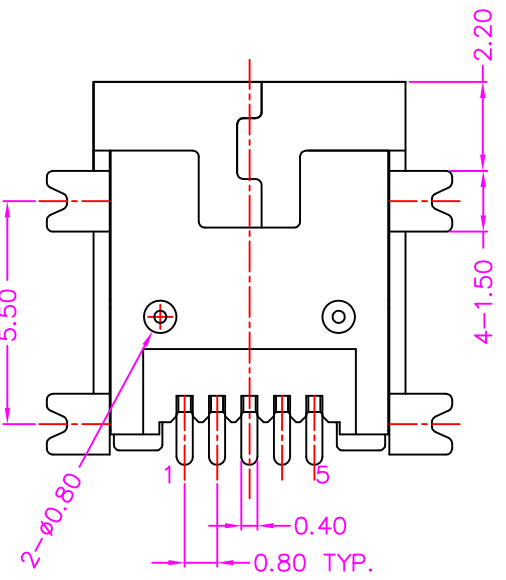
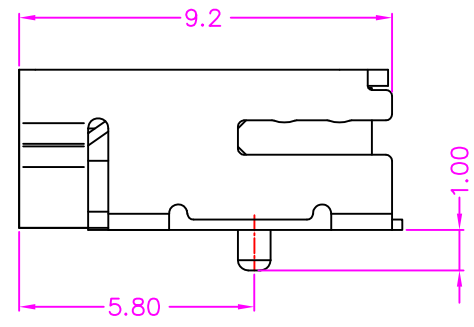
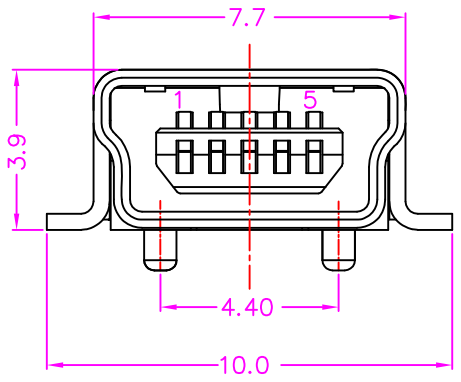


MATERIALS

HOUSING: HI-TEMP. PLASTIC (UL 94V-0), BLACK
 SHELL: COPPER ALLOY, NICKEL PLATING
 TERMINAL: COPPER ALLOY, GOLD PLATING ON CONTACT AREA
 TIN PLATING ON SOLDER TAIL

SPECIFICATION

CURRENT RATING: 1 AMP MAX
 DIELECTRIC WITHSTANDING: 100V AC FOR ONE MINUTE
 CONTACT RESISTANCE: 50m OHMS MAX
 INSULATION RESISTANCE: 100M OHMS MIN AT DC 100V
 OPERATION TEMPERATURE: -25°C~+85°C



P.C.B. LAYOUT
TOP VIEW ±0.05

PART NUMBER:
2USMB - 0 5 * T - 1 * 8 *

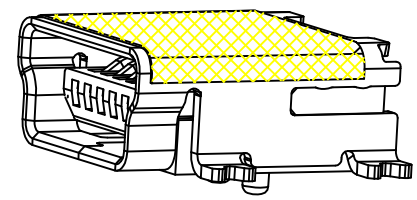
SERIES ————
 NO. OF POS. ————

CONTACT PLATED OPTION
 1: GOLD FLASH
 3: 3u" GOLD
 5: 5u" GOLD
 6: 10u" GOLD
 9: 30u" GOLD

MYLAR OPTION
 BLANK: W/O MYLAR
 M: WITH MYLAR

PACKAGE OPTION
 1: TRAY
 2: TAPE REEL
 3: TUBE

TIN PLATING ON SOLDER TAIL



Cyberconn Technology Co., Ltd.
 www.cyberconn.com.tw Tel:+886-3-4951314

TOLERANCES	USB CONNECTOR SERIES				
X.X ±0.3	TITLE MINI USB B TYPE, PCB MOUNT, SMT, METAL SHIELD FEMALE WITH POST, 5PIN				
X.XX ±0.2	DRAWN BY		CHECKED BY		APPROVED BY
X.XXX ±0.1	Tina		Lion		Benson
Angle ±5°	UNIT	SCALE	SIZE	DRAW NO.	REV. Sheet
	10136	MM	NONE	A4 2USMB-008	A 1/1

A	RELEASE	2014.10.23
REV.	DESCRIPTION	DATE