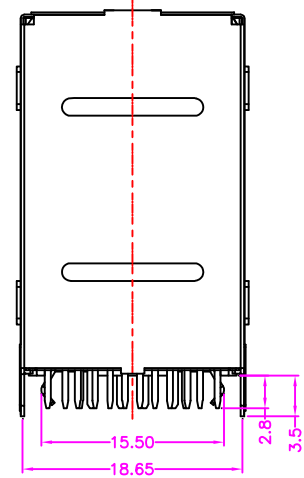
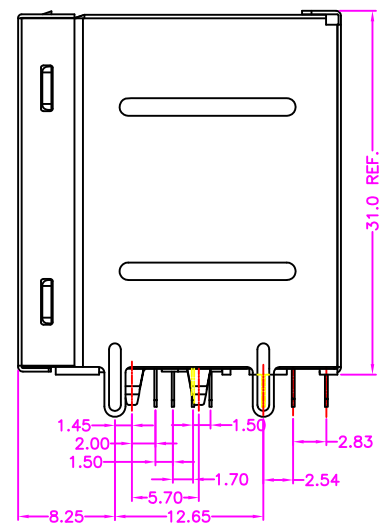
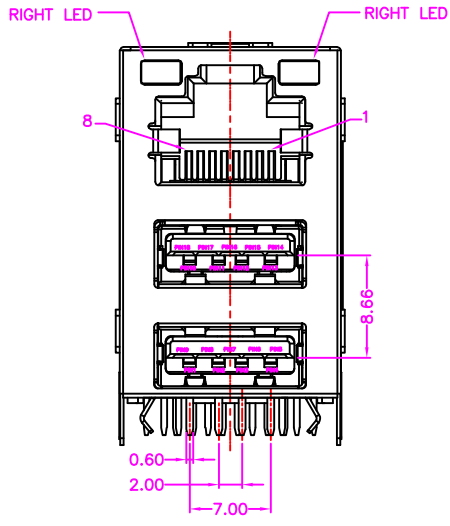


P.C.B. LAYOUT  
TOP VIEW ±0.05



**MATERIALS**

HOUSING: THERMOPLASTIC (UL 94V-0)  
SHELL: SPCC, NICKEL PLATING  
TERMINAL: COPPER ALLOY, GOLD PLATED ON CONTACT AREA  
TIN PLATING ON SOLDER TAIL

**SPECIFICATION**

**USB**  
CURRENT RATING: 1.5 AMP MAX  
DIELECTRIC WITHSTANDING: 500V AC FOR ONE MINUTE  
CONTACT RESISTANCE: 30m OHMS MAX  
INSULATION RESISTANCE: 1000M OHMS MIN AT DC 500V  
OPERATION TEMPERATURE: -55°C~+105°C

**RJ45**  
CURRENT RATING: 1.5 AMP MAX  
DIELECTRIC WITHSTANDING: 500V AC FOR ONE MINUTE  
CONTACT RESISTANCE: 30m OHMS MAX  
INSULATION RESISTANCE: 500M OHMS MIN AT DC 500V  
OPERATION TEMPERATURE: -55°C~+105°C

PART NUMBER:  
71MJUS - 3 2 \* T - 9 1 E

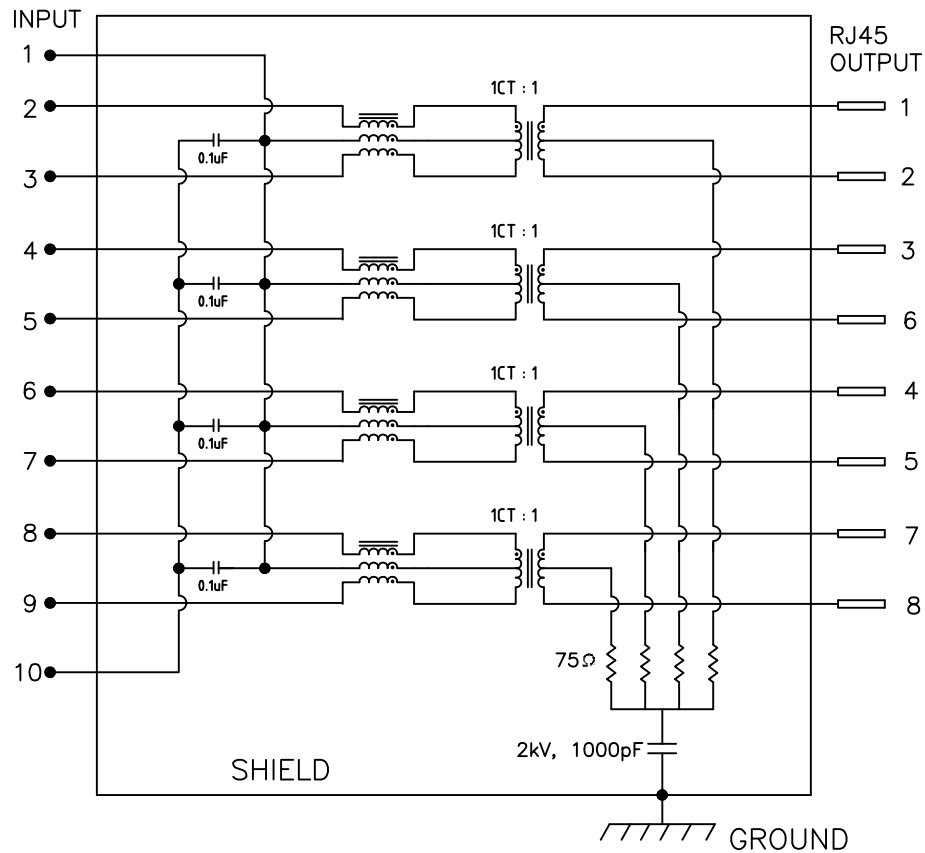
SERIES — NO. OF POS. — TIN PLATING ON SOLDER TAIL — TRAY PACKAGE

CONTACT PLATED OPTION  
1: GOLD FLASH  
3: 3u" GOLD  
5: 5u" GOLD  
6: 10u" GOLD

**Cyberconn Technology Co., Ltd.**  
www.cyberconn.com.tw Tel:+886-3-4951314

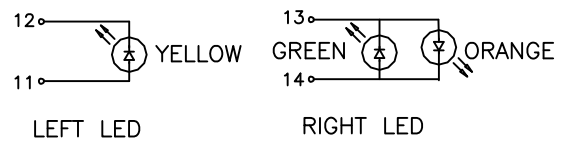
TOLERANCES		COMBO CONNECTOR SERIES				
X.X ±0.3		TITLE RJ 45 + USB 3.0 FEMALE, PCB MOUNT, R/A METAL SHIELD, WITH LED & TRANSFOEMER, GIGA BIT				
X.XX ±0.2		DRAWN BY		CHECKED BY		APPROVED BY
X.XXX ±0.1		Tina		Lion		Benson
Angle ±5°		UNIT	SCALE	SIZE	DRAW NO.	REV. Sheet
		10113	MM	NONE	A4 71MJUS-055	A 1/2

A	RELEASE	2015.6.24
REV.	DESCRIPTION	DATE



Electrical Specifications: (25°C)

1. Turns Ratio:  
@50KHz, 0.1V : 1 : 1 ±5%
2. Insertion Loss:  
@1~80 MHz : -1.0 dB Max  
@100 MHz : -1.2 dB Max
3. Return Loss:  
@1~30MHz : -20 dB Min  
@60~80MHz : -12 dB Min
4. Common Mode Rejection:  
@1~100 MHz: -30 dB Min  
@200 MHz: -20 dB Min
5. Crosstalk:  
@1~100MHz : -35 dB Min
6. OCL:  
@100KHz, 0.1V, 8mADC : 350uH Min
7. Hi-Pot : 1200VAC, 1mA, 1 Sec



<b>Cyberconn Technology Co., Ltd.</b> <small>www.cyberconn.com.tw Tel:+886-3-4951314</small>						
TOLERANCES		COMBO CONNECTOR SERIES				
X.X ±0.3		TITLE RJ 45 + USB 3.0 FEMALE, PCB MOUNT, R/A METAL SHIELD, WITH LED & TRANSFOEMER, GIGA BIT				
X.XX ±0.2		DRAWN BY		CHECKED BY		APPROVED BY
X.XXX±0.1		Tina		Lion		Benson
Angle ±5°		UNIT		SCALE	SIZE	DRAW NO.
		MM		NONE	A4	71MJUS-055
REV.		DESCRIPTION		DATE	REV.	Sheet
10113				A		2/2

A	RELEASE	2015.6.24
REV.	DESCRIPTION	DATE