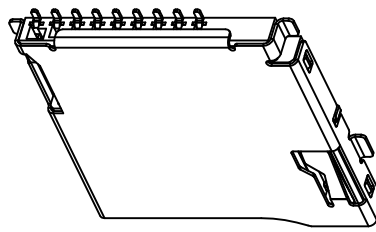


1 2 3 4 5 6 7 8



PART NUMBER:

4MCKD - 0 9 * T - 1 2 B

SERIES

NO. OF POS.

CONTACT PLATED OPTION

TAPE REEL PACKAGE

TIN PLATING ON SOLDER TAIL

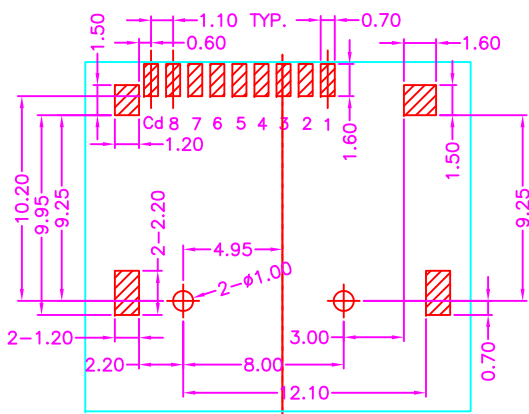
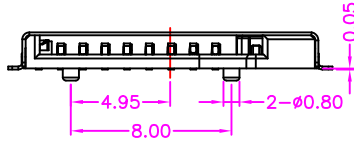
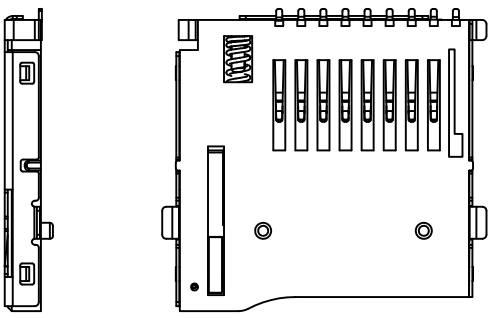
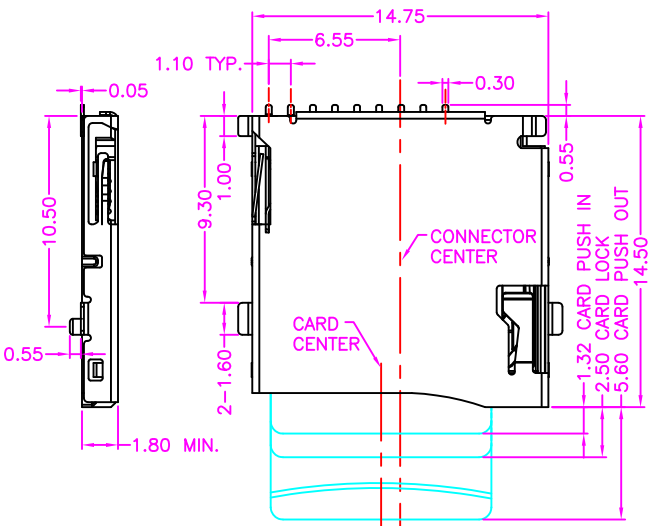
- 1: GOLD FLASH
- 3: 3u" GOLD
- 5: 5u" GOLD
- 6: 10u" GOLD
- 7: 15u" GOLD
- 9: 30u" GOLD

MATERIALS

HOUSING: HI-TEMP. PLASTIC (UL 94V-0), BLACK
 SHELL: STEEL
 TERMINAL: COPPER ALLOY, GOLD PLATED ON CONTACT AREA
 TIN PLATING ON SOLDER TAIL

SPECIFICATION

CURRENT RATING: 0.5 AMP MAX
 DIELECTRIC WITHSTANDING: 500V AC FOR ONE MINUTE
 CONTACT RESISTANCE: 100m OHMS MAX
 INSULATION RESISTANCE: 1000M OHMS MIN AT DC 500V
 OPERATION TEMPERATURE: -25°C~+85°C



P.C.B LAYOUT TOP VIEW ±0.05

CARD DETECTION SWITCH			
WITHOUT CARD		CARD INSERTED	
CD	GROUND	CD	GROUND

PIN NUMBER	PIN ASSIGNMENT	PIN NUMBER	PIN ASSIGNMENT
1	DAT2	6	VSS
2	CD/DAT3	7	DAT0
3	CMD	8	DAT1
4	VDD	9	CARD DETECT
5	CLK	10	GROUND

Cyberconn Technology Co., Ltd.
 www.cyberconn.com.tw Tel:+886-3-4951314

TOLERANCES		MEMORY CARD SERIES				
X.X	±0.3	TITLE MICRO SD, PCB MOUNT, SMT, METAL SHIELD PUSH-PUSH TYPE WITH POST, FEMALE				
X.XX	±0.2	DRAWN BY		CHECKED BY		APPROVED BY
X.XXX	±0.1	Tina		Lion		Benson
Angle	±5°	UNIT	SCALE	SIZE	DRAW NO.	REV. Sheet
		10140	MM	NONE	A4 4MCKD-011	A 1/1

A	RELEASE	2014.9.22
REV.	DESCRIPTION	DATE

1 2 3 4 5 6 7 8