

PART NUMBER:  
4MCKD - 0 9 \* T - 1 2 A

SERIES  
NO. OF POS.  
CONTACT PLATED OPTION  
TIN PLATING ON SOLDER TAIL  
TAPE REEL PACKAGE

- CONTACT PLATED OPTION
- 1: GOLD FLASH
  - 3: 3u" GOLD
  - 5: 5u" GOLD
  - 6: 10u" GOLD
  - 7: 15u" GOLD
  - 9: 30u" GOLD

CARD DETECTION SWITCH			
WITHOUT CARD		CARD INSERTED	
CD	GROUND	CD	GROUND

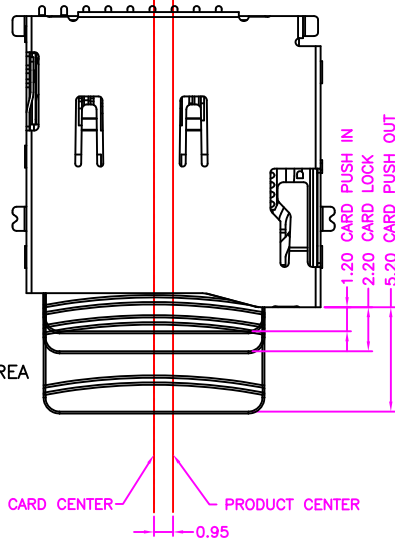
PIN NUMBER	PIN ASSIGNMENT	PIN NUMBER	PIN ASSIGNMENT
1	DAT2	6	VSS
2	CD/DAT3	7	DAT0
3	CMD	8	DAT1
4	VDD	9	CARD DETECT
5	CLK	10	GROUND

**MATERIALS**

HOUSING: HI-TEMP. PLASTIC (UL 94V-0), BLACK  
 SHELL: STAINLESS STEEL  
 PAD: STAINLESS STEEL, GOLD PLATING  
 TERMINAL: COPPER ALLOY, GOLD PLATED ON CONTACT AREA  
 TIN PLATING ON SOLDER TAIL

**SPECIFICATION**

CURRENT RATING: 0.5 AMP MAX  
 DIELECTRIC WITHSTANDING: 500V AC FOR ONE MINUTE  
 CONTACT RESISTANCE: 100m OHMS MAX  
 INSULATION RESISTANCE: 1000M OHMS MIN AT DC 500V  
 OPERATION TEMPERATURE: -25°C~+85°C



A	RELEASE	2014.3.12
REV.	DESCRIPTION	DATE

**Cyberconn Technology Co., Ltd.**  
 www.cyberconn.com.tw Tel: +886-3-4951314

TOLERANCES	TITLE	MEMORY CARD SERIES				
X.X ±0.3 X.XX ±0.2 X.XXX ±0.1 Angle ±5°		MICRO SD, PCB MOUNT, SMT, METAL SHIELD PUSH-PUSH TYPE, FEMALE				
	DRAWN BY	CHECKED BY	APPROVED BY			
	Tina	Lion	Benson			
10099	UNIT	SCALE	SIZE	DRAW NO.	REV.	Sheet
	MM	NONE	A4	4MCKD-010	A	1/1