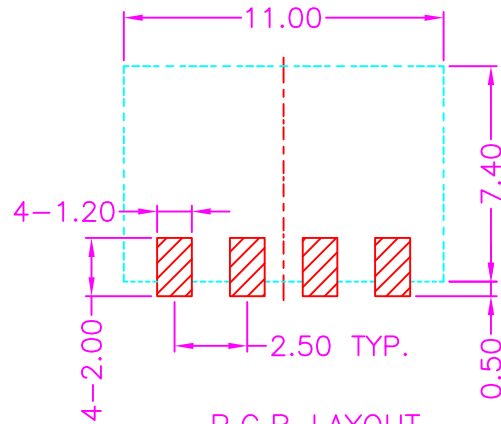
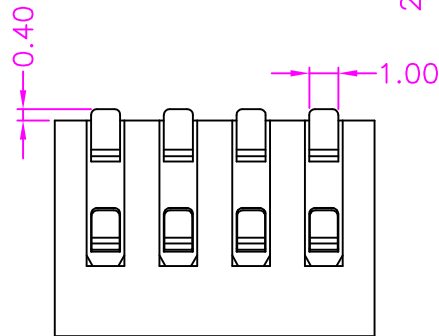
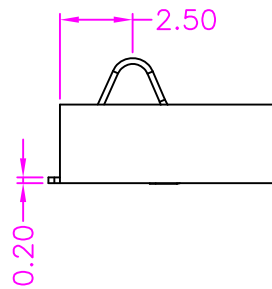
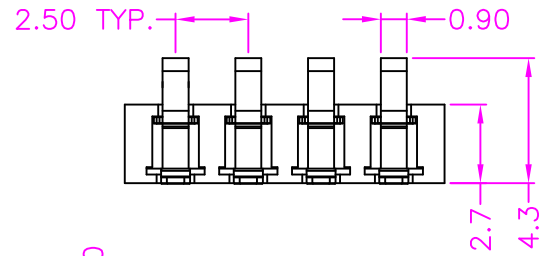


MATERIALS

HOUSING: LCP (UL 94V-0), BLACK
 TERMINAL: COPPER ALLOY, GOLD PLATED

SPECIFICATION

CURRENT RATING: 3 AMP MAX
 DIELECTRIC WITHSTANDING: 1000V AC FOR ONE MINUTE
 CONTACT RESISTANCE: 50m OHMS MAX
 INSULATION RESISTANCE: 1000M OHMS MIN AT DC 500V
 OPERATION TEMPERATURE: -20°C~+80°C



P.C.B LAYOUT
 TOP VIEW ±0.05

PART NUMBER:

1BTCG - 0 4 * - 1 4 1

SERIES

NO. OF POS.

BAG PACKAGE

CONTACT PLATED OPTION

- 1: GOLD FLASH
- 3: 3u" GOLD
- 5: 5u" GOLD
- 6: 10u" GOLD
- 7: 15u" GOLD
- 9: 30u" GOLD

Cyberconn Technology Co., Ltd. www.cyberconn.com.tw Tel:+886-3-4951314						
TOLERANCES		BATTERY CONNECTOR SERIES				
X.X ±0.3		TITLE BATTERY, 2.50mm PITCH, PCB MOUNT, VERTICAL SMT FEMALE, H=2.70mm				
X.XX ±0.2		DRAWN BY		CHECKED BY		APPROVED BY
X.XXX ±0.1		Tina		Lion		Benson
Angle ±5°		UNIT	SCALE	SIZE	DRAW NO.	REV. Sheet
		10177	MM	NONE	A4	1BTCG-001 A 1/1

A	RELEASE	2015.2.2
REV.	DESCRIPTION	DATE