

HS'G LOCK(SEE TABLE)

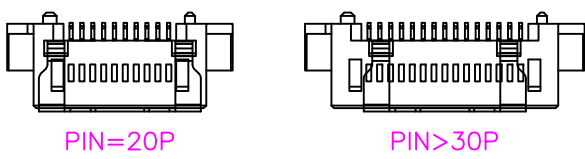


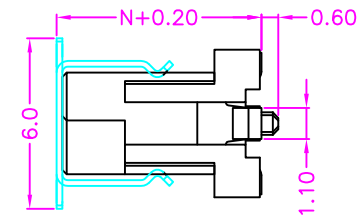
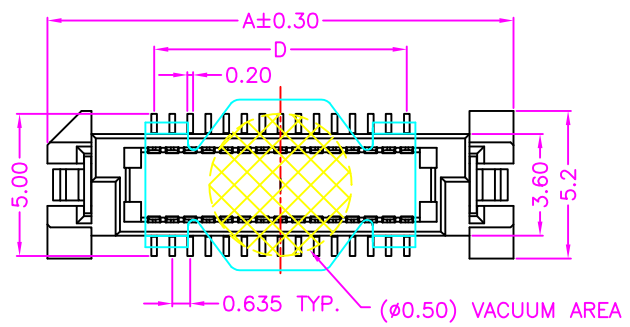
TABLE 2

PART NO.	DIM.N	DIM.K
1BBHD-****-2211	5.00	2.80
1BBHD-****-2212	6.00	3.80
1BBHD-****-2213	7.00	4.80
1BBHD-****-2214	8.00	5.80
1BBHD-****-2215	9.00	6.80

PART NUMBER:  
 1BBHD - \* \* \* \* - 2 2 1 \*

SERIES — NO. OF POS. (REF. TABLE 1) — DIM "N" & "K" OPTION (REF. TABLE 2) — TAPE REEL PACKAGE

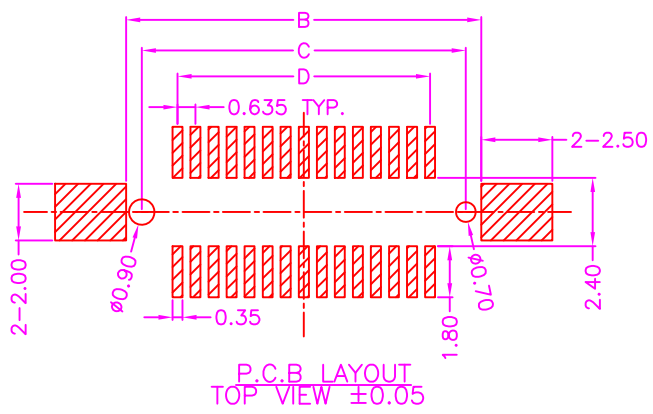
CONTACT PLATED OPTION:  
 1: GOLD FLASH  
 3: 3u" GOLD  
 5: 5u" GOLD  
 7: 15u" GOLD  
 9: 30u" GOLD



MATERIALS  
 HOUSING: HI-TEMP. PLASTIC (UL 94V-0)  
 SOLDER PAD: COPPER ALLOY, TIN PLATING  
 TERMINAL: COPPER ALLOY, GOLD PLATED

SPECIFICATION  
 CURRENT RATING: 1 AMP MAX  
 DIELECTRIC WITHSTANDING: 500V AC FOR ONE MINUTE  
 CONTACT RESISTANCE: 50m OHMS MAX  
 INSULATION RESISTANCE: 500M OHMS MIN AT DC 500V  
 OPERATION TEMPERATURE: -55°C~+85°C

NOTE: MATING DRAWING NO: 1BBHD-002



P.C.B LAYOUT  
 TOP VIEW ±0.05

TABLE 1

NO	50.165	52.67	53.77	57.67	160
	43.815	46.32	47.42	51.32	140
	37.465	39.97	41.07	44.97	120
	31.115	33.62	34.72	38.62	100
	27.940	30.45	31.55	35.45	090
	24.765	27.27	28.37	32.27	080
	21.590	24.10	25.20	29.10	070
	18.415	20.92	22.02	25.92	060
	15.240	17.75	18.85	22.75	050
	12.065	14.57	15.67	19.57	040
	8.890	11.40	12.50	16.40	030
	5.715	8.22	9.32	13.22	020
HS'G LOCK	DIM.D	DIM.C	DIM.B	DIM.A	PIN NO

**Cyberconn Technology Co., Ltd.**  
 www.cyberconn.com.tw Tel:+886-3-4951314

TOLERANCES	TITLE	BOARD TO BOARD CONNECTOR SERIES			
X.X ±0.3 X.XX ±0.2 X.XXX±0.1 Angle ±5°		BTB, 0.635mm PITCH, PCB MOUNT SMT, MALE WITH PAD & POST			
	DRAWN BY	CHECKED BY	APPROVED BY		
	<i>Tina</i>	<i>Lion</i>	<i>Benson</i>		
UNIT	SCALE	SIZE	DRAW NO.	REV.	Sheet
10170	MM	NONE	A4	1BBHD-001	A 1/1

A	RELEASE	2014.11.6
REV.	DESCRIPTION	DATE