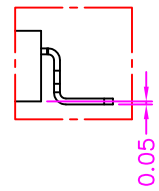
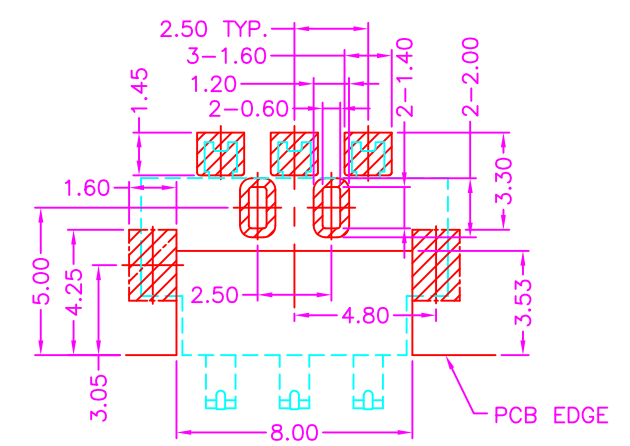
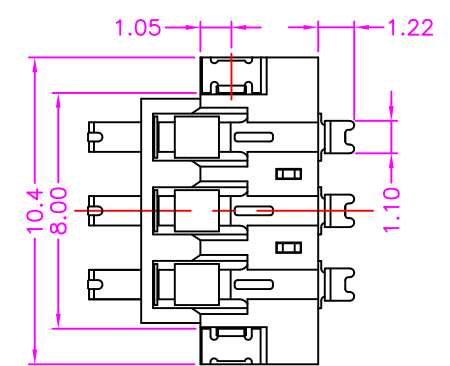
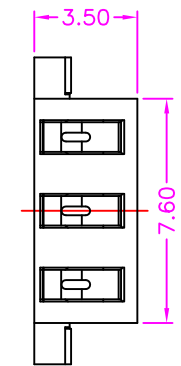
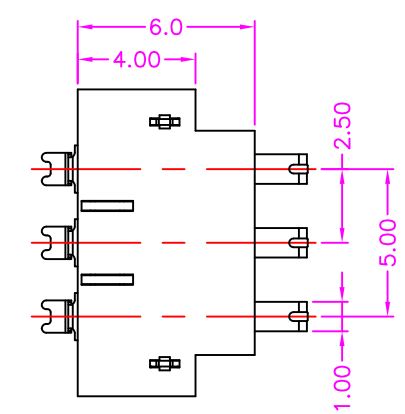
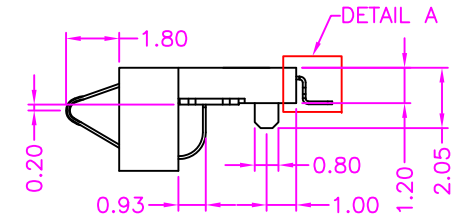


USE GUIDE



SCALE 1:2  
DETAIL A



P.C.B LAYOUT  
TOP VIEW ±0.05

**MATERIALS**

HOUSING: LCP (UL 94V-0)  
 SOLDER PAD: COPPER ALLOY, TIN PLATED  
 FORK: COPPER ALLOY, TIN PLATING  
 TERMINAL: COPPER ALLOY, GOLD PLATED

**SPECIFICATION**

CURRENT RATING: 3 AMP MAX  
 DIELECTRIC WITHSTANDING: 1000V AC FOR ONE MINUTE  
 CONTACT RESISTANCE: 50m OHMS MAX  
 INSULATION RESISTANCE: 1000M OHMS MIN AT DC 500V  
 OPERATION TEMPERATURE: -20°C~+80°C

PART NUMBER:  
 1BTCW - 0 3 \* - 1 2 2

SERIES ——— TAPE REEL PACKAGE  
 NO. OF POS. ———

**CONTACT PLATED OPTION**

- 1: GOLD FLASH
- 3: 3u" GOLD
- 5: 5u" GOLD
- 6: 10u" GOLD
- 7: 15u" GOLD
- 9: 30u" GOLD

<b>Cyberconn Technology Co., Ltd.</b> <small>www.cyberconn.com.tw Tel:+886-3-4951314</small>						
TOLERANCES		BATTERY CONNECTOR SERIES				
X.X ±0.3		TITLE BATTERY, 2.50mm PITCH, MID MOUNT, R/A SMT				
X.XX ±0.2		FEMALE WITH PAD & FORK, H=1.20mm				
X.XXX±0.1		DRAWN BY		CHECKED BY		APPROVED BY
Angle ±5°		<i>Tins</i>		<i>Lion</i>		<i>Benson</i>
		UNIT	SCALE	SIZE	DRAW NO.	REV.
		MM	NONE	A4	1BTCW-002	A
						Sheet
						1/1

A	RELEASE	2014.12.22
REV.	DESCRIPTION	DATE