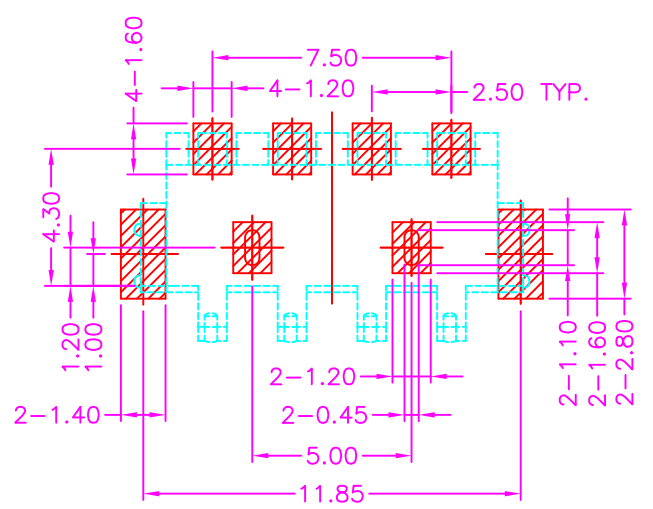
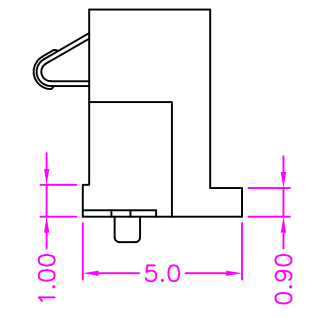
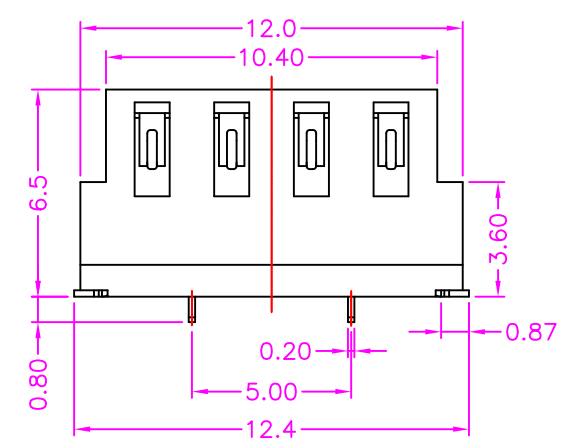
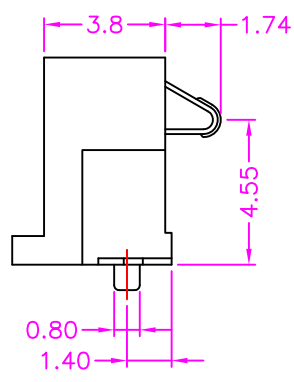


PART NUMBER:
1BTCW - 0 4 * - 1 2 1

SERIES ————
 NO. OF POS. ————
 CONTACT PLATED OPTION ————

1: GOLD FLASH
 3: 3u" GOLD
 5: 5u" GOLD
 6: 10u" GOLD
 7: 15u" GOLD
 9: 30u" GOLD

TAPE REEL PACKAGE



P.C.B LAYOUT
 TOP VIEW ±0.05

MATERIALS
 HOUSING: LCP (UL 94V-0)
 SOLDER PAD: COPPER ALLOY, TIN PLATED
 FORK: COPPER ALLOY, TIN PLATING
 TERMINAL: COPPER ALLOY, GOLD PLATED

SPECIFICATION
 CURRENT RATING: 3 AMP MAX
 DIELECTRIC WITHSTANDING: 1000V AC FOR ONE MINUTE
 CONTACT RESISTANCE: 50m OHMS MAX
 INSULATION RESISTANCE: 1000M OHMS MIN AT DC 500V
 OPERATION TEMPERATURE: -20°C~+80°C

A	RELEASE	2014.12.17
REV.	DESCRIPTION	DATE

Cyberconn Technology Co., Ltd.
 www.cyberconn.com.tw Tel:+886-3-4951314

TOLERANCES	BATTERY CONNECTOR SERIES					
X.X ±0.3 X.XX ±0.2 X.XXX±0.1 Angle ±5°	TITLE	BATTERY, 2.50mm PITCH, PCB MOUNT, R/A SMT, FEMALE WITH PAD & FORK, H=6.50mm				
	DRAWN BY	CHECKED BY	APPROVED BY			
	<i>Tins</i>	<i>Lion</i>	<i>Benson</i>			
	UNIT	SCALE	SIZE	DRAW NO.	REV.	Sheet
10140	MM	NONE	A4	1BTCW-001	A	1/1