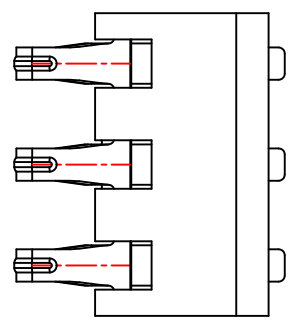
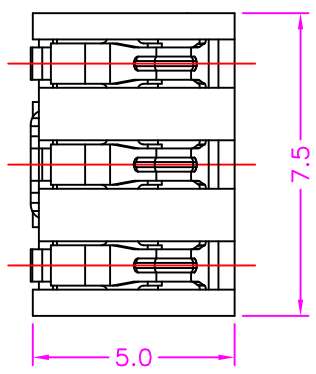
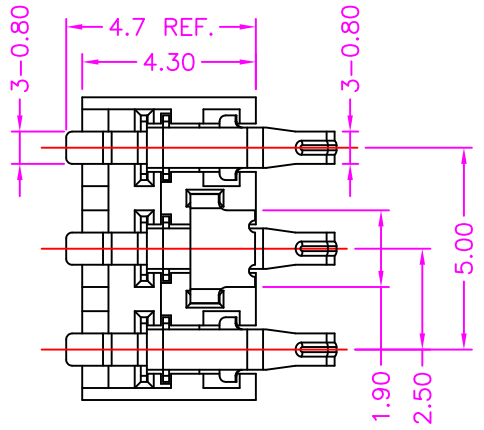


PART NUMBER:  
**1**BTCV - **0** **3** \* - **1** **2** **3**

SERIES ————  
 NO. OF POS. ————  
 CONTACT PLATED OPTION ————

TAPE REEL PACKAGE

- 1: GOLD FLASH
- 3: 3u" GOLD
- 5: 5u" GOLD
- 6: 10u" GOLD
- 7: 15u" GOLD
- 9: 30u" GOLD

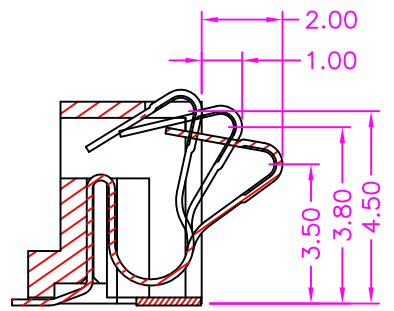


**MATERIALS**

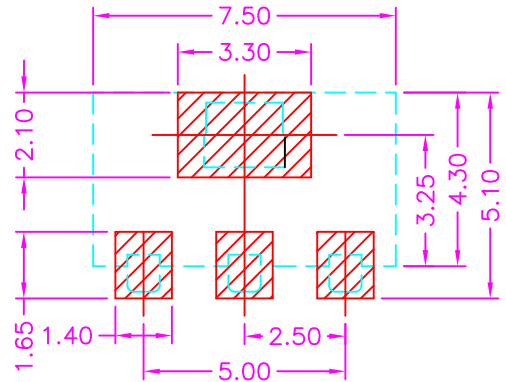
HOUSING: LCP (UL 94V-0)  
 SOLDER PAD: COPPER ALLOY, TIN PLATED  
 TERMINAL: COPPER ALLOY, GOLD PLATED

**SPECIFICATION**

CURRENT RATING: 3 AMP MAX  
 DIELECTRIC WITHSTANDING: 1000V AC FOR ONE MINUTE  
 CONTACT RESISTANCE: 50m OHMS MAX  
 INSULATION RESISTANCE: 1000M OHMS MIN AT DC 500V  
 OPERATION TEMPERATURE: -20°C~+80°C



USE GUIDE



P.C.B LAYOUT  
 TOP VIEW ±0.05

A	RELEASE	2013.12.27
REV.	DESCRIPTION	DATE

**Cyberconn Technology Co., Ltd.**  
www.cyberconn.com.tw Tel:+886-3-4951314

TOLERANCES		BATTERY CONNECTOR SERIES			
X.X ±0.3		TITLE BATTERY, 2.50mm PITCH, PCB MOUNT, R/A SMT, FEMALE WITH PAD			
X.XX ±0.2		DRAWN BY		CHECKED BY	APPROVED BY
X.XXX ±0.1		<i>Janice</i>		<i>Lion</i>	<i>Benson</i>
Angle ±5°		UNIT	SCALE	SIZE	DRAW NO.
		10140	MM	NONE	A4
		REV.	Sheet		
		A	1/1		