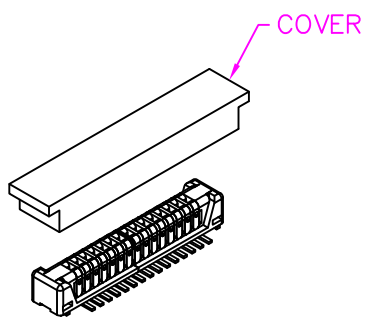


P.C.B. LAYOUT
TOP VIEW ±0.05



MATERIALS

HOUSING: HI-TEMP. PLASTIC (UL 94V-0), BLACK
 COVER: HI-TEMP. PLASTIC (UL 94V-0), BLACK
 SOLDER PAD: COPPER ALLOY, GOLD PLATING
 TERMINAL: COPPER ALLOY, GOLD PLATED

SPECIFICATION

CURRENT RATING: 0.3 AMP MAX
 DIELECTRIC WITHSTANDING: 250V AC FOR ONE MINUTE
 CONTACT RESISTANCE: 80m OHMS MAX
 INSULATION RESISTANCE: 100M OHMS MIN AT DC 250V
 OPERATION TEMPERATURE: -40°C+85°C

PART NUMBER:
 1BBEC - * * * - 2 2 4

SERIES: 1BBEC
 NO. OF POS. REF. TABLE: * * *
 TAPE REEL PACKAGE: 2 2 4

CONTACT PLATED OPTION:
 1: GOLD FLASH
 3: 3u" GOLD
 5: 5u" GOLD
 6: 10u" GOLD
 7: 15u" GOLD
 9: 30u" GOLD

TABLE

POS.	DIMENSION	
	A	B
10	3.90	1.60
16	5.10	2.80
24	6.70	4.40
26	7.10	4.80
30	7.90	5.60
34	8.70	6.40
36	9.10	6.80
46	11.10	8.80

Cyberconn Technology Co., Ltd.
 www.cyberconn.com.tw Tel:+886-3-4951314

TOLERANCES
 X.X ±0.3
 X.XX ±0.2
 X.XXX ±0.1
 Angle ±5°

TITLE: BOARD TO BOARD CONNECTOR SERIES
 BTB, 0.40mm PITCH, PCB MOUNT, SMT, MALE
 WITH PAD, METING HEIGHT 1.50mm

DRAWN BY		CHECKED BY		APPROVED BY	
Tina		Lion		Benson	
UNIT	SCALE	SIZE	DRAW NO.	REV.	Sheet
MM	NONE	A4	1BBEC-004	A	1/1

A	RELEASE	2014.12.19
REV.	DESCRIPTION	DATE