

MATERIALS

HOUSING: THERMOPLASTIC (UL 94V-0), BLACK
 SHELL: SUS, NICKEL PLATING
 TERMINAL: COPPER ALLOY, GOLD PLATED ON CONTACT AREA
 TIN PLATING ON SOLDER TAIL

SPECIFICATION

CURRENT RATING: 1 AMP MAX
 DIELECTRIC WITHSTANDING: 500V AC FOR ONE MINUTE
 CONTACT RESISTANCE: 30m OHMS MAX
 INSULATION RESISTANCE: 1000M OHMS MIN AT DC 500V
 OPERATION TEMPERATURE: -25°C~+85°C

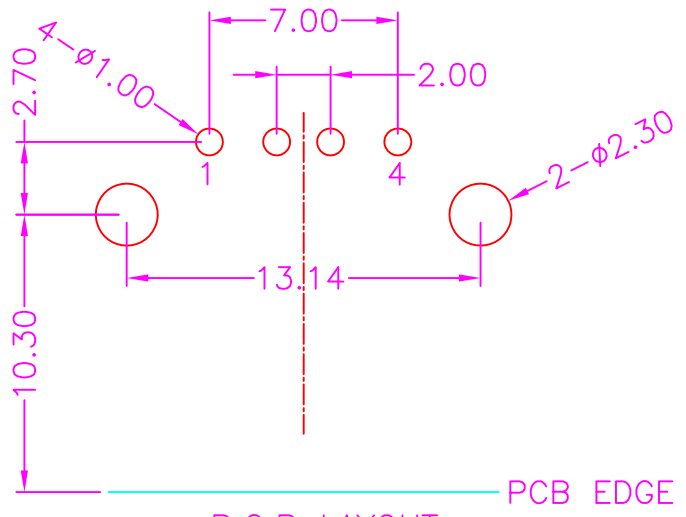
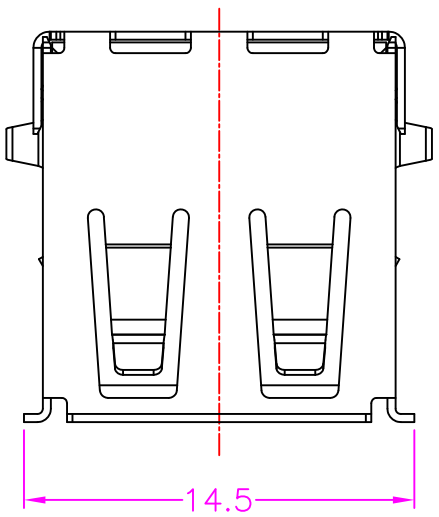
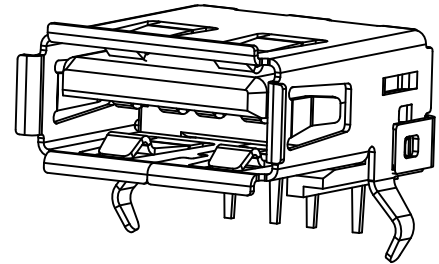
PART NUMBER:

2USAC - 0 4 * T - 1 1 8

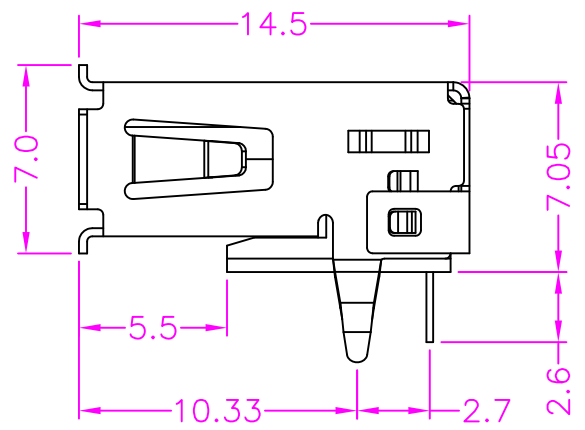
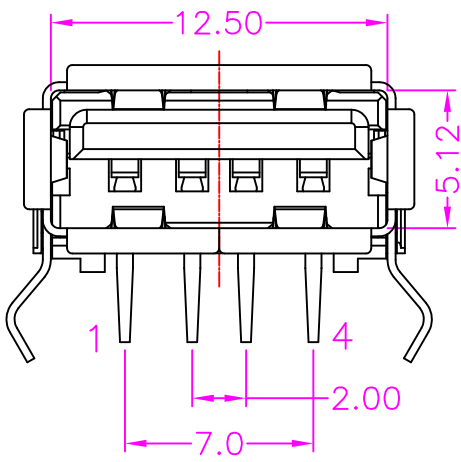
SERIES — NO. OF POS. — TIN PLATING ON SOLDER TAIL — TRAY PACKAGE

CONTACT PLATED OPTION

- 1: GOLD FLASH
- 3: 3u" GOLD
- 5: 5u" GOLD
- 6: 10u" GOLD
- 7: 15u" GOLD
- 9: 30u" GOLD



**P.C.B LAYOUT
TOP VIEW ±0.05**



Cyberconn Technology Co., Ltd. www.cyberconn.com.tw Tel:+886-3-4951314						
TOLERANCES X.X ±0.3 X.XX ±0.2 X.XXX ±0.1 Angle ±5°		TITLE USB CONNECTOR SERIES USB A TYPE, PCB MOUNT, R/A, METAL SHIELD FEMALE				
		DRAWN BY <i>Tina</i>		CHECKED BY <i>Lion</i>		APPROVED BY <i>Benson</i>
		UNIT MM	SCALE NONE	SIZE A4	DRAW NO. 2USAC-008	REV. A
10136					Sheet 1/1	

A	RELEASE	2014.9.26
REV.	DESCRIPTION	DATE