

1 2 3 4 5 6 7 8

F

F

E

E

D

D

C

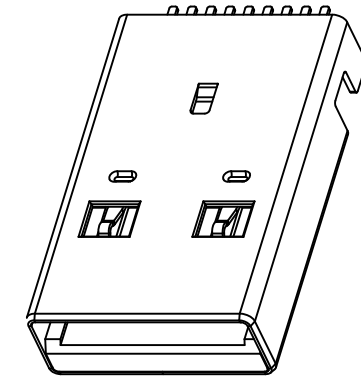
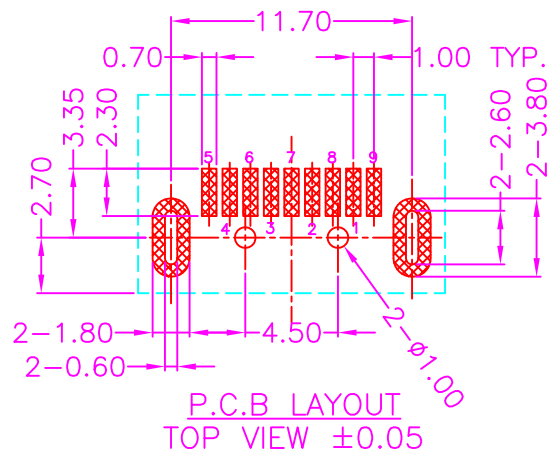
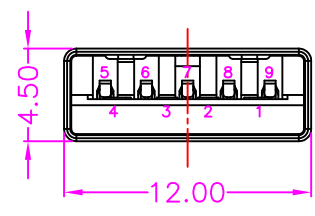
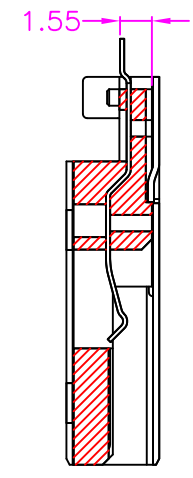
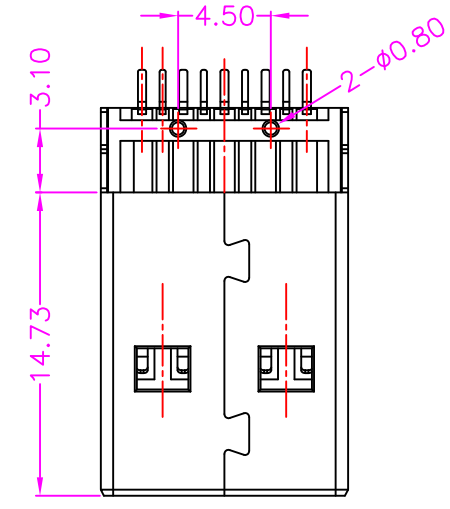
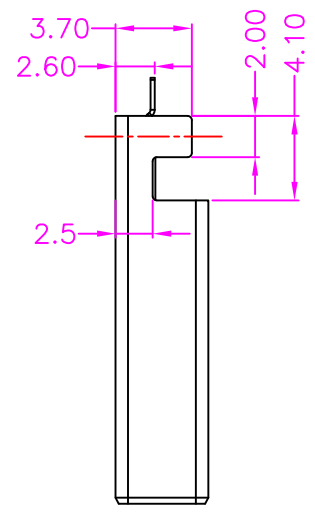
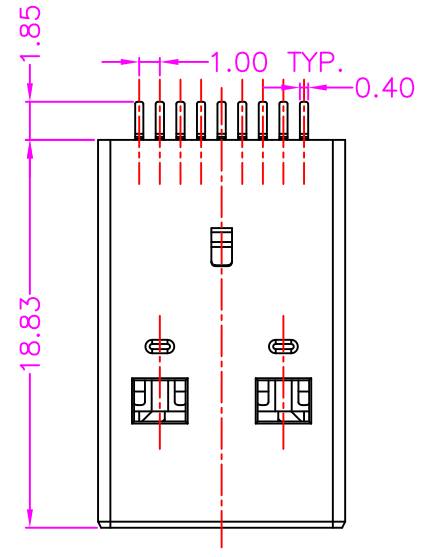
C

B

B

A

A



Pin NUMBER	SIGNAL NAME
1	VBUS
2	D-
3	D+
4	GND
5	StdA_SSRX-
6	StdA_SSRX+
7	GND_DRAIN
8	StdA_SSTX-
9	StdA_SSTX+
Shell	Shield

MATERIALS

HOUSING: LCP (UL 94V-0)  
 SHELL: SPCC, NICKEL PLATING  
 TERMINAL: COPPER ALLOY, GOLD PLATED ON CONTACT AREA  
 TIN PLATING ON SOLDER TAIL

SPECIFICATION

CURRENT RATING: 1.5 AMP MAX  
 DIELECTRIC WITHSTANDING: 500V AC FOR ONE MINUTE  
 CONTACT RESISTANCE: 30m OHMS MAX  
 INSULATION RESISTANCE: 1000M OHMS MIN AT DC 500V  
 OPERATION TEMPERATURE: -40°C~+85°C

A	RELEASE	2011.11.10
REV.	DESCRIPTION	DATE

PART NUMBER:  
 2USED - 0 9 \* T - 2 2 0

SERIES — NO. OF POS. — TIN PLATING ON SOLDER TAIL — TAPE REEL PACKAGE

CONTACT PLATED OPTION  
 1: GOLD FLASH  
 3: 3u" GOLD  
 5: 5u" GOLD  
 6: 10u" GOLD

**Cyberconn Technology Co., Ltd.**  
 www.cyberconn.com.tw Tel:+886-3-4951314

TOLERANCES	USB CONNECTOR SERIES				
X.X ±0.3 X.XX ±0.2 X.XXX±0.1 Angle ±5°	TITLE USB 3.0 A TYPE, PCB MOUNT, SMT BOARD CUT TYPE METAL SHIELD, MALE WITH POST				
	DRAWN BY	CHECKED BY	APPROVED BY		
	<i>Janice</i>	<i>Lion</i>	<i>Benson</i>		
UNIT	SCALE	SIZE	DRAW NO.	REV.	Sheet
10006&10057	MM	NONE	A4	2USED-001	A 1/1

1 2 3 4 5 6 7 8