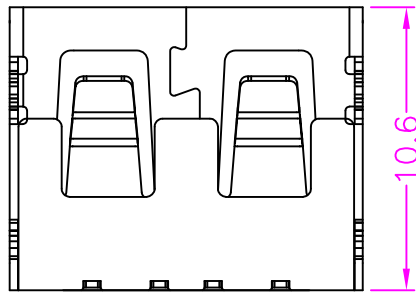
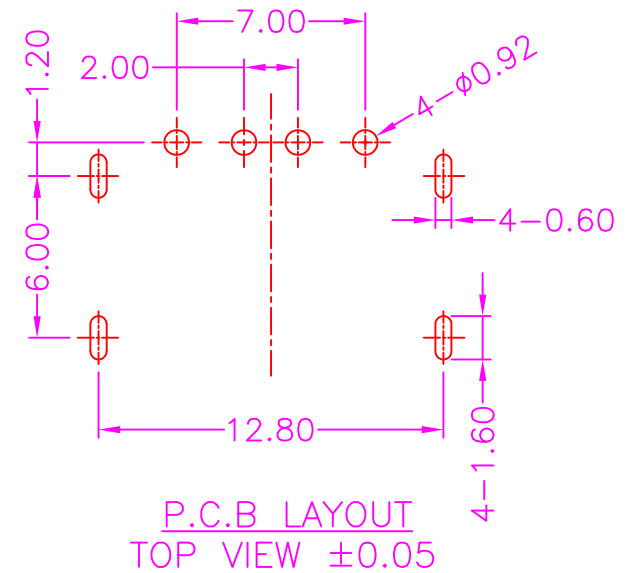
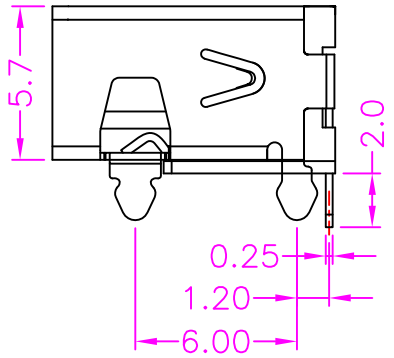
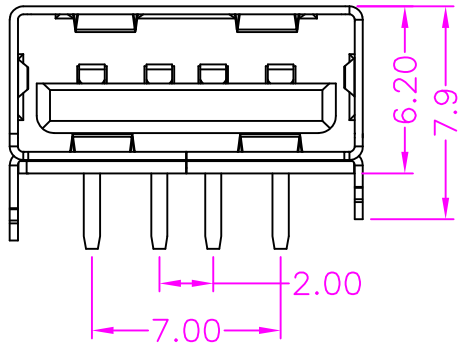


MATERIALS
 HOUSING: PBT OR LCP (UL 94V-0)
 SHELL: COPPER ALLOY OR SUS, NICKEL PLATING
 TERMINAL: COPPER ALLOY, GOLD PLATED ON CONTACT AREA
 TIN PLATING ON SOLDER TAIL

SPECIFICATION
 CURRENT RATING: 1 AMP MAX
 DIELECTRIC WITHSTANDING: 500V AC FOR ONE MINUTE
 CONTACT RESISTANCE: 30m OHMS MAX
 INSULATION RESISTANCE: 1000M OHMS MIN AT DC 500V
 OPERATION TEMPERATURE: -25°C~+85°C



PART NUMBER:
2USAH - 0 4 * T * * - 1 1 3

SERIES — NO. OF POS. — CONTACT PLATED OPTION — HOUSING OPTION — SHELL OPTION — TIN PLATING ON SOLDER TAIL — TRAY PACKAGE

CONTACT PLATED OPTION:
 1: GOLD FLASH
 3: 3u" GOLD
 5: 5u" GOLD
 6: 10u" GOLD
 7: 15u" GOLD
 9: 30u" GOLD

HOUSING OPTION:
 BLANK: PBT
 L: LCP

SHELL OPTION:
 BLANK: COPPER ALLOY
 S: SUS

Cyberconn Technology Co., Ltd.
 www.cyberconn.com.tw Tel:+886-3-4951314

TOLERANCES		USB CONNECTOR SERIES				
X.X ±0.3	TITLE	USB A TYPE, PCB MOUNT, REVERSE TYPE, R/A, METAL SHIELD, FEMALE				
X.XX ±0.2		DRAWN BY	CHECKED BY	APPROVED BY		
X.XXX ±0.1		<i>Tina</i>	<i>Lion</i>	<i>Benson</i>		
Angle ±5°	UNIT	SCALE	SIZE	DRAW NO.	REV.	Sheet
	10134	MM	NONE	A4	2USAH-003	A 1/1

A	RELEASE	2014.9.9
REV.	DESCRIPTION	DATE